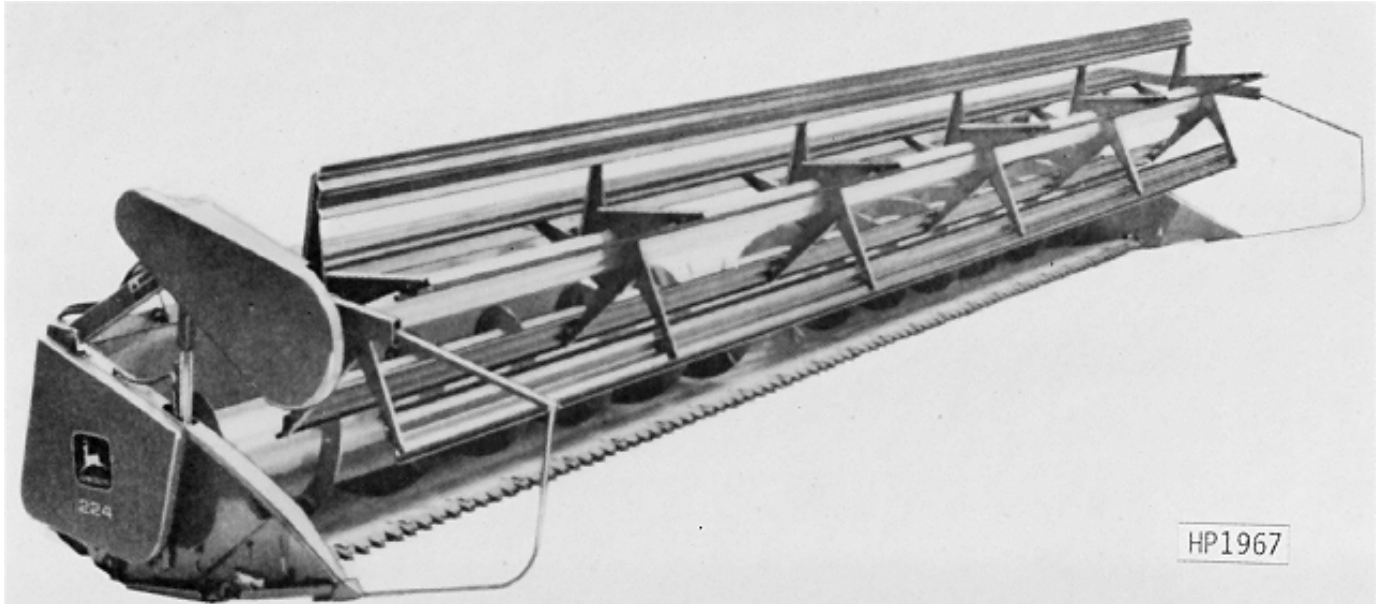


HP1967 -UN-01JAN94



JOHN DEERE 224 RIGID CUTTERBAR PLATFORM WITH BAT REEL

(SPECIFICATIONS AND DESIGN SUBJECT TO CHANGE WITHOUT NOTICE)

DATE OF MANUFACTURE

MODEL NO.	TYPE	DATE
213	RIGID, FLEX	(1976-1987)
215	RIGID, FLEX	(1976-1987)
216	RIGID, FLEX	(1976-1987)
218	RIGID, FLEX	(1976-1987)
220	RIGID, FLEX	(1976-1987)
222	RIGID, FLEX	(1976-1987)
224	RIGID, FLEX	(1976-1987)
230	RIGID	(1979-1987)

SERIAL NUMBER PLATE

USE ALL NUMBERS, LETTERS, AND SPACES ON THE SERIAL NUMBER PLATE IN WARRANTY CORRESPONDENCE.

200 SERIAL PLATFORMS (-579900)

ON THESE PLATFORMS, THE SERIAL NUMBER PLATE IS LOCATED ON THE LEFT-HAND SIDE OF THE FRAME.

EXAMPLE: E0216579900H
E - EQUIPMENT
0216 - PLATFORM MODEL
579900 - PLATFORM SERIAL NUMBER
H - FACTORY (HARVESTER WORKS)

200 SERIES PLATFORM (579901-)

ON THESE PLATFORMS, THE SERIAL NUMBER PLATE IS LOCATED ON THE LEFT-SIDE OF THE FRAME.

EXAMPLE: H00216R579901
216 PLATFORM

(FIRST LINE) H0 - FACTORY (HARVESTER WORKS)
0216 - PLATFORM MODEL
R - CONFIGURATION/MODEL SUFFIX
579901 - PLATFORM SEQUENCE NUMBER (SERIAL NUMBER)
(SECOND LINE) PLATFORM - PRODUCT TYPE

SERIAL NUMBER LISTING INFORMATION

SERIAL NUMBER INFORMATION IS LISTED TO SHOW ON WHICH MACHINES A PART CAN BE USED; FOR EXAMPLE:

- THE PART CAN BE USED ON ALL MACHINES.
- 000000- THE PART CAN BE USED ON ALL MACHINES BEGINNING WITH THE SERIAL NUMBER LISTED.
- 000000 THE PART CAN BE USED ON ALL MACHINES UP TO AND INCLUDING THE SERIAL NUMBER LISTED.
- 000000-000000 THE PART CAN BE USED ON ALL MACHINES BETWEEN AND INCLUDING THE SERIAL NUMBERS LISTED.

WHEN XXXXXX'S ARE LISTED IN PLACE OF A SERIAL NUMBER, A SERIAL NUMBER CHANGE WAS MADE BUT THE EXACT SERIAL NUMBER WAS NOT AVAILABLE WHEN THE CATALOG WAS PRODUCED.

*COPYRIGHT (C) 2000. DEERE & COMPANY. MOLINE, ILLINOIS
ALL RIGHTS RESERVED*

IMPORTANT

THIS PARTS CATALOG CONTAINS COMPLETE PARTS INFORMATION ON THE 200 SERIES CUTTING PLATFORM. VINTAGE IS DETERMINED BY SERIAL NUMBERS UNDER WHICH PLATFORMS WERE MANUFACTURED. IT IS IMPORTANT THAT THE CORRECT SERIAL NUMBER BE USED WHEN ORDERING PARTS.

DIRECTION ARROW

ARROWS ARE USED WITH ILLUSTRATIONS TO INDICATE THE FRONT OF THE UNIT. "RIGHT-HAND" AND "LEFT-HAND" SIDES ARE DETERMINED BY FACING IN THE DIRECTION OF MACHINE FORWARD TRAVEL.

BOX-ENCLOSED ILLUSTRATIONS

A KEY NUMBER, SHOWN IN THE PARTS LIST, IS ASSIGNED TO A BOX ENCLOSING ALL PARTS SOLD AS A SERVICE ASSEMBLY. A BOX NOT KEYED INCLUDES NON-CURRENT PARTS.

KITS

KIT INFORMATION WILL BE FOUND IMMEDIATELY FOLLOWING THE STORY IN WHICH IT IS USED. THE ILLUSTRATION IS REPEATED WITH ONLY THE KIT PARTS CALLED OUT AND WITH ALL OTHER PARTS SHOWN IN PHANTOM FOR RELATIONSHIP.

JDM REMANUFACTURED COMPONENTS

THE SERVICE PARTS LISTED IN THIS CATALOG ARE INTENDED FOR THE REPAIR OF ORIGINAL EQUIPMENT COMPONENTS. ALTHOUGH MOST SERVICE PARTS MAY BE USED TO REPAIR REMANUFACTURED COMPONENTS, THE REMANUFACTURED DESIGN MAY CHANGE PARTS SUFFICIENTLY SO THAT SERVICE PARTS ARE INADEQUATE OR NOT USABLE.

BOLT AND CAP SCREW STRENGTH IDENTIFICATION

BOLTS AND CAP SCREWS REQUIRED TO HAVE HIGH-STRENGTH QUALITIES EQUIVALENT TO SAE GRADE 8 ARE IDENTIFIED THROUGHOUT THIS CATALOG BY THE DESCRIPTION HS SAE 8. ALL STANDARD BOLTS AND CAP SCREWS ARE SAE GRADE 5 OR LOWER.

SI UNITS OF MEASURE

METRIC DIMENSIONS ARE GIVEN, WHERE APPLICABLE, THROUGHOUT THIS PARTS CATALOG.

TRADEMARKS

THROUGHOUT THIS PARTS CATALOG, YOU WILL FIND THE FOLLOWING DEERE & COMPANY TRADEMARKS:

DIAL-A-MATIC™

CHANGE INDICATOR LINE (MICROFICHE CATALOGS ONLY)

CHANGES AFFECTING THE ORDERING OF PARTS ARE IDENTIFIED BY VERTICAL LINES MARKED IN THE LEFT-HAND MARGIN OF REVISED PARTS LISTING IMAGES. A LINE IS ALSO AT THE LEFT-HAND EDGE OF THE SAME PART NUMBER IN THE NUMERICAL INDEX TO SHOW THE LOCATION OF REVISED INFORMATION.

SECTION INDEX

SECTION 05 - GENERAL INFORMATION

SECTION 10 - REEL

SECTION 15 - FRAME, SHEETS, DIVIDERS, SKID PLATES AND HEADER HEIGHT CONTROL

SECTION 20 - KNIFE, CUTTERBAR AND DRIVES

SECTION 25 - AUGER AND DRIVE

SECTION 30 - HYDRAULICS

SECTION 35 - IDLERS, TIGHTENERS, AND SHIELDS

SECTION 40 - BELTS, CHAINS, SHEAVES, SPROCKETS AND DECALS

SECTION 45 - NUMERICAL INDEX

ALPHABETICAL INDEX

GRID		PAGE	GRID		PAGE
A					
F11	ARM, BAT REEL	10 - 10	I8	CROSS AUGER SPROCKET	25 - 7
F13	ARM, BAT REEL	10 - 12	I8	CROSS AUGER SUPPORT	25 - 7
F4	ARM, PICKUP REEL	10 - 2	H16	CUTTERBAR DRIVE	20 - 16
F17	ARM, REEL	10 - 16	H18	CUTTERBAR DRIVE (SH).....	20 - 18
F19	ARM, REEL	10 - 18	H22	CUTTERBAR DRIVE SUPPORT SPRING	20 - 22
F18	ARM, REEL (RIGID AND FLEXIBLE)	10 - 17	H9	CUTTERBAR KNIFE GUARDS (NON-CLOG)	20 - 9
G16	ARM, STOP	15 - 23	F19	CYLINDER ROD EXTENSION	10 - 18
I4	AUGER AND SHAFT, CROSS	25 - 3	I19	CYLINDER, HYDRAULIC, LIFT REEL, MASTER.....	30 - 3
G17	AUTOMATIC HEADER HEIGHT CONTROL	15 - 24	I18	CYLINDER, HYDRAULIC, LIFT REEL, SLAVE	30 - 1
B					
G19	BALL, INDICATOR, AUTO. HEIGHT CONTROL	15 - 26	D		
F11	BAT REEL ARM.....	10 - 10	H18	DECAL, DRIVE SHAFT(SH)	20 - 18
F13	BAT REEL ARM.....	10 - 12	I13	DECAL, DRIVESHAFT	25 - 12
F11	BAT REEL DRIVE SHAFT.....	10 - 10	I15	DECAL, DRIVESHAFT	25 - 14
F13	BAT REEL DRIVE SHAFT.....	10 - 12	G19	DECAL, RANGE INDICATOR	15 - 26
F15	BAT REEL DRIVE SHAFT,SPRKTS,AND MTGS.	10 - 14	G22	DECAL,RANGE IND.,DIAL-A-MATIC HDR. HGT. CONT.	15 - 29
F11	BAT REEL MOUNTING	10 - 10	J17	DECALS	40 - 3
F13	BAT REEL MOUNTING	10 - 12	J19	DECALS, RIGHT-HAND AND LEFT-HAND	40 - 5
F11	BAT REEL SHIELD	10 - 10	G24	DIAL-A-MATIC HDR HGT CONT,WIRING HARNESS (FLEX)	15 - 31
F13	BAT REEL SHIELD	10 - 12	G18	DIAL-A-MATIC HDR.HGT.CONT.SENSING BOX.....	15 - 25
F11	BAT REEL SLAT	10 - 10	G18	DIAL-A-MATIC HEADER HEIGHT CONTROL MTG.	15 - 25
F13	BAT REEL SLAT	10 - 12	G10	DIVIDER POINTS (RIGID).....	15 - 17
F11	BAT REEL SPROCKETS.....	10 - 10	G10	DIVIDER, LOOP	15 - 17
F13	BAT REEL SPROCKETS.....	10 - 12	G11	DIVIDERS, LONG, ROW CROP	15 - 18
F4	BAT, PICKUP REEL	10 - 2	J15	DRIVE BELT, L.H. SIDE	40 - 1
F4	BATSHAFT, PICKUP REEL.....	10 - 2	J16	DRIVE CHAINS AND SPROCKETS, R.H. SIDE	40 - 2
I6	BEARINGS, CROSS AUGER	25 - 5	H18	DRIVE SHAFT DECAL (SH)	20 - 18
H12	BEARINGS, KNIFE DRIVE CASE.....	20 - 12	F11	DRIVE SHAFT, BAT REEL	10 - 10
J15	BELT, DRIVE, L.H. SIDE	40 - 1	F13	DRIVE SHAFT, BAT REEL	10 - 12
H3	BLOCK, GUARD AND KNIFE REPAIR.....	20 - 2	I13	DRIVE SHAFT, DECAL	25 - 12
H6	BOLTED KNIFE AND MOUNTINGS	20 - 6	I15	DRIVE SHAFT, DECAL	25 - 14
I8	BRACKETS, CROSS AUGER	25 - 7	H20	DRIVE SHAFT, HEADER - SIDEHILL	20 - 20
C					
H10	CASE, KNIFE DRIVE.....	20 - 10	J15	DRIVE SHEAVES, L.H. SIDE	40 - 1
F19	CHAIN, CYL. ROD EXTENSION.....	10 - 18	J15	DRIVE TIGHTENERS, L.H. SIDE	40 - 1
J16	CHAINS, DRIVE, R.H. SIDE	40 - 2	J16	DRIVE TIGHTENERS, R.H. SIDE.....	40 - 2
G18	CIRCUIT BOARD,DIAL-A-MATIC HDR.HGT.CONT.	15 - 25	H16	DRIVE, CUTTERBAR.....	20 - 16
I13	CLUTCH, CROSS AUGER DRIVE (SH).....	25 - 12	H22	DRIVE, CUTTERBAR.....	20 - 22
I15	CLUTCH, CROSS AUGER DRIVE (SH).....	25 - 14	H18	DRIVE, CUTTERBAR (SH)	20 - 18
I9	CLUTCH, SLIP, CROSS AUGER DRIVE	25 - 8	E		
I11	CLUTCH, SLIP, CROSS AUGER DRIVE	25 - 10	F19	EXTENSION CYL. ROD	10 - 18
I22	CONNECTORS, REEL DRIVE	30 - 6	F18	EXTENSION, RAM.....	10 - 17
I22	CONNECTORS, REEL LIFT	30 - 6	I2	EXTENSIONS, FLIGHT, CROSS AUGER	25 - 1
I4	COVER, CROSS AUGER	25 - 3	F		
I6	CRANK, CROSS AUGER	25 - 5	G1	FEED PLATES, MAIN SILL, AND SUPPORTS	15 - 8
I4	CROSS AUGER AND SHAFT.....	25 - 3	F4	FINGER, PICKUP REEL	10 - 2
I6	CROSS AUGER BEARINGS.....	25 - 5	I6	FINGERS, CROSS AUGER.....	25 - 5
I8	CROSS AUGER BRACKETS	25 - 7	F22	FLEXIBLE FRAME	15 - 3
I4	CROSS AUGER COVER.....	25 - 3	F24	FLEXIBLE FRAME	15 - 5
I6	CROSS AUGER CRANK.....	25 - 5	G15	FLEXIBLE STABILIZER	15 - 22
I9	CROSS AUGER DRIVE.....	25 - 8	I2	FLIGHT EXTENSIONS.....	25 - 1
I11	CROSS AUGER DRIVE.....	25 - 10	F25	FLOOR STRIPPER	15 - 7
I13	CROSS AUGER DRIVE (SH)	25 - 12	F21	FRAME	15 - 2
I15	CROSS AUGER DRIVE (SH)	25 - 14	F23	FRAME	15 - 4
I6	CROSS AUGER FINGERS	25 - 5	F22	FRAME (FLEXIBLE).....	15 - 3
I2	CROSS AUGER FLIGHT EXTENSIONS	25 - 1	F24	FRAME (FLEXIBLE).....	15 - 5
I4	CROSS AUGER HUB	25 - 3	F21	FRAME (RIGID AND FLEXIBLE)	15 - 2
I6	CROSS AUGER SHAFTS	25 - 5	F23	FRAME (RIGID AND FLEXIBLE)	15 - 4
I8	CROSS AUGER SHIELDS	25 - 7			

ALPHABETICAL INDEX - CONTINUED

<i>GRID</i>		<i>PAGE</i>	<i>GRID</i>		<i>PAGE</i>
F22	FRAME (RIGID)	15-3	G16	LINK, PUSH, STOP ARM	15-23
F24	FRAME (RIGID)	15-5	G19	LINKAGE, HEIGHT SENSING.....	15-26
G			M		
H3	GUARD AND KNIFE REPAIR BLOCK	20-2	G1	MAIN SILL, FEED PLATES, AND SUPPORTS	15-8
F7	GUARD, PICKUP REEL	10-6	J10	MOTOR, HYD., HYDROSTATIC DRIVE REEL	30-17
F9	GUARD, PICKUP REEL	10-8	J11	MOTOR, REEL.....	30-18
H8	GUARDS AND WEAR PLATES	20-8	G17	MOUNTING, AUTO. HEADER HEIGHT CONTROL.....	15-24
H9	GUARDS, CUTTERBAR KNIFE (NON-CLOG).....	20-9	F11	MOUNTING, BAT REEL	10-10
H2	GUARDS, LIFTING	20-1	F13	MOUNTING, BAT REEL	10-12
H			H22	MOUNTING, CUTTERBAR DRIVE	20-22
G23	HARNES, WIRING, AUTO. HEIGHT CONTROL	15-30	G11	MOUNTING, ROW CROP DIVIDERS.....	15-18
H20	HEADER DRIVE SHAFT - SIDEHILL	20-20	F15	MOUNTINGS, BAT REEL DRIVE	10-14
G18	HEADER HEIGHT CONTROL, DIAL-A-MATIC.....	15-25	N		
J8	HOSE, HYDRAULIC DRIVE REEL	30-15	G10	NOSE, LOOP DIVIDER	15-17
J9	HOSES, HYDRAULIC, PICKUP REEL	30-16	O		
I22	HOSES, REEL DRIVE	30-6	J1	OIL LINES, HYDRAULIC LIFT REEL	30-8
I22	HOSES, REEL LIFT	30-6	J3	OIL LINES, HYDRAULIC LIFT REEL	30-10
J5	HOSES, REEL LIFT.....	30-12	J5	OIL LINES, REEL LIFT	30-12
I4	HUB, CROSS AUGER.....	25-3	P		
I19	HYDRAULIC CYLINDER, LIFT REEL, MASTER	30-3	F3	PICKUP REEL	10-1
I18	HYDRAULIC CYLINDER, LIFT REEL, SLAVE.....	30-1	F4	PICKUP REEL	10-2
J8	HYDRAULIC DRIVE REEL HOSE	30-15	F3	PICKUP REEL ARM	10-1
J9	HYDRAULIC DRIVE REEL HOSES, PICKUP REEL	30-16	F4	PICKUP REEL ARM	10-2
I20	HYDRAULIC DRIVE REEL LINES	30-4	F5	PICKUP REEL ARM	10-3
I23	HYDRAULIC DRIVE REEL LINES	30-7	F3	PICKUP REEL BAT	10-1
J7	HYDRAULIC DRIVE REEL LINES, BAT REEL	30-14	F4	PICKUP REEL BAT	10-2
J7	HYDRAULIC HOSES, BAT REEL.....	30-14	F3	PICKUP REEL BATSHAFT	10-1
I19	HYDRAULIC LIFT REEL MASTER CYLINDER	30-3	F4	PICKUP REEL BATSHAFT	10-2
J1	HYDRAULIC LIFT REEL OIL LINES.....	30-8	F7	PICKUP REEL DRIVE SHAFT	10-6
J3	HYDRAULIC LIFT REEL OIL LINES.....	30-10	F9	PICKUP REEL DRIVE SHAFT	10-8
I18	HYDRAULIC LIFT REEL SLAVE CYLINDER.....	30-1	F6	PICKUP REEL ECCENTRIC SPIDER.....	10-5
J10	HYDRAULIC MOTOR, HYDROSTATIC DRIVE REEL....	30-17	F3	PICKUP REEL FINGER.....	10-1
J10	HYDROSTATIC DRIVE REEL HYDRAULIC MOTOR	30-17	F4	PICKUP REEL FINGER.....	10-2
I			F5	PICKUP REEL FINGER.....	10-3
H21	IDLER, KNIFE DRIVE	20-21	F7	PICKUP REEL GUARD	10-6
G22	IND., RANGE, DIAL-A-MATIC HDR. HGT. CONT.	15-29	F9	PICKUP REEL GUARD	10-8
G19	INDICATOR, RANGE, AUTO. HEIGHT CONTROL	15-26	F7	PICKUP REEL MOUNTINGS	10-6
K			F9	PICKUP REEL MOUNTINGS	10-8
H3	KNIFE AND GUARD REPAIR BLOCK	20-2	F5	PICKUP REEL SPIDER.....	10-3
H6	KNIFE AND MOUNTINGS, BOLTED	20-6	F3	PICKUP REEL SPIDER PLATE	10-1
H4	KNIFE AND MOUNTINGS, RIVETED.....	20-4	F4	PICKUP REEL SPIDER PLATE	10-2
H10	KNIFE DRIVE CASE	20-10	F7	PICKUP REEL SPROCKETS	10-6
H12	KNIFE DRIVE CASE BEARINGS AND SUPPORTS	20-12	F9	PICKUP REEL SPROCKETS	10-8
H21	KNIFE DRIVE IDLER AND TIGHTENER	20-21	F19	PIN, REEL ARM.....	10-18
H9	KNIFE GUARDS, CUTTERBAR (NON-CLOG).....	20-9	G10	PLATE, DIVIDER POINT SKID	15-17
L			F4	PLATE, PICKUP REEL SPIDER	10-2
H2	LIFTING GUARDS	20-1	G5	PLATES, PROTECTION (RIGID)	15-12
I23	LINES, HYDRAULIC DRIVE REEL	30-7	G5	PLATES, SKID (RIGID)	15-12
J7	LINES, HYDRAULIC, BAT REEL	30-14	G10	POINTS, DIVIDER (RIGID)	15-17
J1	LINES, OIL, HYDRAULIC LIFT REEL.....	30-8	G5	PROTECTION PLATES (RIGID)	15-12
J3	LINES, OIL, HYDRAULIC LIFT REEL.....	30-10	R		
I20	LINES, REEL, HYDRAULIC DRIVE	30-4	F17	REEL ARM.....	10-16

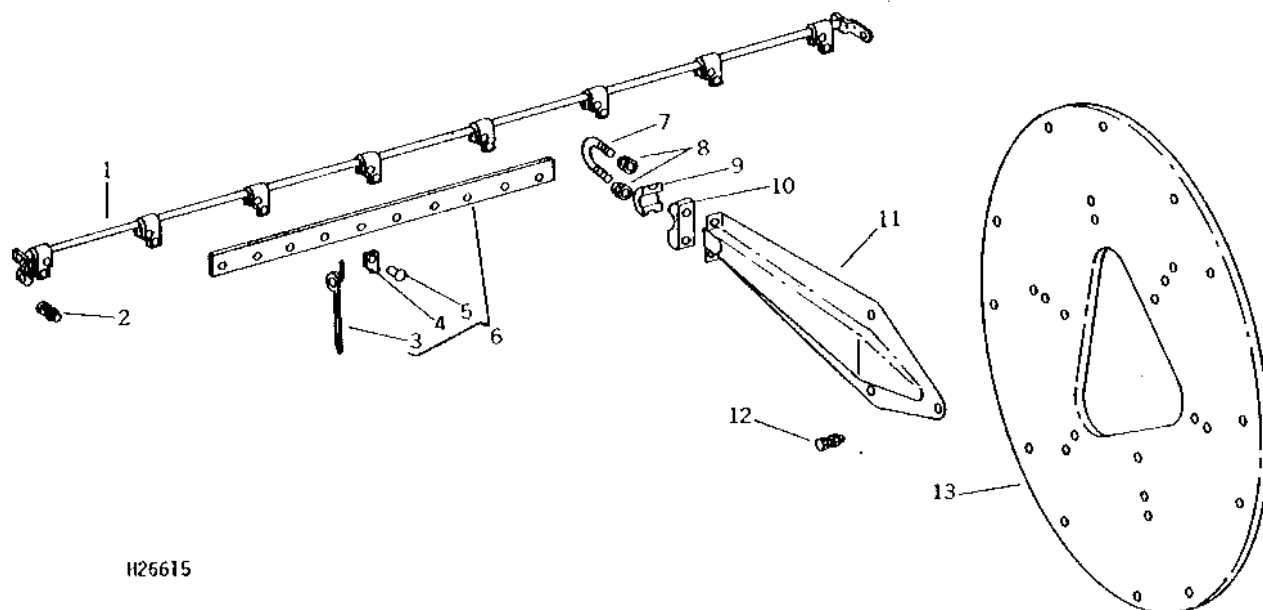
ALPHABETICAL INDEX - CONTINUED

<i>GRID</i>		<i>PAGE</i>	<i>GRID</i>		<i>PAGE</i>
F18	REEL ARM (RIGID AND FLEXIBLE)	10 - 17	F25	STRIPPER, FLOOR	15 - 7
F19	REEL ARM (RIGID AND FLEXIBLE)	10 - 18	I8	SUPPORT, CROSS AUGER	25 - 7
J5	REEL LIFT OIL LINES.....	30 - 12	H12	SUPPORTS, KNIFE DRIVE CASE	20 - 12
I20	REEL LINES, HYDRAULIC DRIVE	30 - 4	G1	SUPPORTS, MAIN SILL, AND FEED PLATES	15 - 8
J11	REEL MOTOR	30 - 18	G17	SWITCHES, MOUNTING, AUTO. HEIGHT CONTROL ..	15 - 24
F4	REEL, PICKUP.....	10 - 2	G17	SWITCHES, SENSING, AUTO. HEIGHT CONTROL.....	15 - 24
G16	REINFORCEMENT, STOP ARM.....	15 - 23			
F22	RIGID FRAME	15 - 3		T	
F24	RIGID FRAME	15 - 5			
H4	RIVETED KNIFE AND MOUNTINGS	20 - 4	H21	TIGHTENER, KNIFE DRIVE	20 - 21
G11	ROW CROP LONG DIVIDERS	15 - 18	J15	TIGHTENERS AND SHEAVE ON L.H. SIDE	40 - 1
			J16	TIGHTENERS AND SPROCKETS, R.H. SIDE.....	40 - 2
	S				
G3	SEALS	15 - 10		W	
G17	SENSING SWITCHES, AUTO. HDR. HGT. CONT.	15 - 24			
I4	SHAFT AND AUGER, CROSS	25 - 3	H8	WEAR PLATES	20 - 8
F15	SHAFT, BAT REEL DRIVE	10 - 14	G23	WIRING HARNESS-AUTO. HDR. HEIGHT CONTROL ..	15 - 30
I9	SHAFT, CROSS AUGER DRIVE	25 - 8	G24	WIRING HARNESS,DIAL-A-MATIC HDR HGT CONT....	15 - 31
I11	SHAFT, CROSS AUGER DRIVE	25 - 10			
I13	SHAFT, CROSS AUGER DRIVE (SH)	25 - 12			
I15	SHAFT, CROSS AUGER DRIVE (SH)	25 - 14			
H16	SHAFT, CUTTERBAR DRIVE	20 - 16			
H20	SHAFT, HEADER DRIVE - SIDEHILL	20 - 20			
I6	SHAFTS, CROSS AUGER	25 - 5			
H18	SHEAVE, CUTTERBAR DRIVE (SH)	20 - 18			
H21	SHEAVE, IDLER, KNIFE DRIVE	20 - 21			
J13	SHIELD.....	35 - 1			
F11	SHIELD, BAT REEL.....	10 - 10			
F13	SHIELD, BAT REEL.....	10 - 12			
I9	SHIELD, CROSS AUGER DRIVE	25 - 8			
I11	SHIELD, CROSS AUGER DRIVE	25 - 10			
I13	SHIELD, CROSS AUGER DRIVE (SH)	25 - 12			
I15	SHIELD, CROSS AUGER DRIVE (SH)	25 - 14			
H16	SHIELD, CUTTERBAR DRIVE	20 - 16			
H18	SHIELD, CUTTERBAR DRIVE (SH)	20 - 18			
I8	SHIELDS, CROSS AUGER	25 - 7			
J13	SHIELDS, DRIVE	35 - 1			
G10	SHOE, DIVIDER.....	15 - 17			
G8	SHOES, SKID (FLEXIBLE)	15 - 15			
H20	SIDEHILL - HEADER DRIVE SHAFT	20 - 20			
G5	SKID PLATES (RIGID).....	15 - 12			
G8	SKID SHOES (FLEXIBLE).....	15 - 15			
F11	SLAT, BAT REEL.....	10 - 10			
F13	SLAT, BAT REEL.....	10 - 12			
F6	SPIDER, ECCENTRIC, PICKUP REEL.....	10 - 5			
H22	SPRING, CUTTERBAR DRIVE	20 - 22			
H23	SPRING, STABILIZER	20 - 23			
H24	SPRING, STABILIZER	20 - 24			
I8	SPROCKET, CROSS AUGER.....	25 - 7			
I9	SPROCKET, CROSS AUGER DRIVE	25 - 8			
I11	SPROCKET, CROSS AUGER DRIVE	25 - 10			
I13	SPROCKET, CROSS AUGER DRIVE (SH)	25 - 12			
I15	SPROCKET, CROSS AUGER DRIVE (SH)	25 - 14			
H16	SPROCKET, CUTTERBAR DRIVE	20 - 16			
F11	SPROCKETS, BAT REEL	10 - 10			
F13	SPROCKETS, BAT REEL	10 - 12			
F15	SPROCKETS, BAT REEL DRIVE	10 - 14			
F7	SPROCKETS, PICKUP REEL	10 - 6			
F9	SPROCKETS, PICKUP REEL	10 - 8			
G15	STABILIZER (FLEXIBLE).....	15 - 22			
G15	STABILIZER ARM	15 - 22			
H23	STABILIZER SPRING	20 - 23			
H24	STABILIZER SPRING	20 - 24			
G16	STOP ARM, PUSH LINK, AND REINFORCEMENT	15 - 23			
F19	STOP, CYL. ROD EXTENSION	10 - 18			

MEMORANDA

**PICKUP REEL-YELLOW (RIGID AND FLEXIBLE)
(SERIAL NO. -365600)**

H26615 -UN-01JAN94

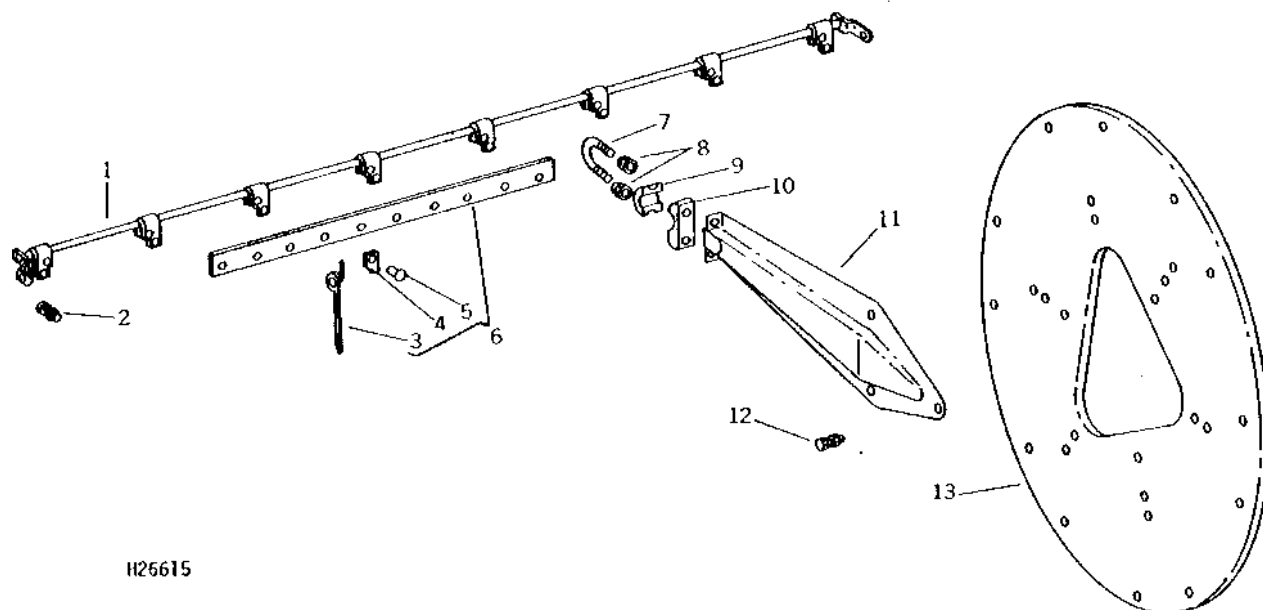


H26615

KEY	PART NO.	PART NAME	QTY	SERIAL NO.	REMARKS
1	AH19680	SHAFT	6	(SUB AH97182) (213)	
	AH63039	SHAFT	6	(215) (SUB AH97183)	
	AH19695	SHAFT	6	(SUB AH97184) (216)	
	AH19698	SHAFT	6	(218) (SUB AH97185)	
	AH63604	SHAFT	6	(SUB AH97186) (220)	
	AH80100	SHAFT	6	(222) (SUB AH97187)	
2	AH81254	SHAFT	6	(224) (SUB AH87188)	
	03H1810	BOLT	AR	1/4" X 1-1/2"	
3	E45229	LOCK NUT	AR		
	H33316	FINGER	AR	(213-186 USED; 215-216 USED; 216-234 USED; 218-258 USED; 220-294 USED; 222-324 USED; AND 224-360 USED)	
4	H33317	CLIP	AR	(213-186 USED; 215-216 USED; 216-234 USED; 218-258 USED; 220-294 USED; 222-324 USED; AND 224-360 USED)	
5	H33318	RIVET	AR	(213-186 USED; 215-216 USED; 216-234 USED; 218-258 USED; 220-294 USED; 222-324 USED; AND 224-360 USED)	
6	AH19681	SLAT	12	(R.H. AND L.H.)(213) (SUB AH97190)	
	AH19682	SLAT	6	(CENTER)(213) (SUB AH97191)	
	AH63038	SLAT	18	(215) (SUB AH97193)	
	AH19696	SLAT	AR	(216-18 USED; 218-6 USED) (SUB AH97194)	
	AH19699	SLAT	AR	(218, R.H. AND L.H.-2 USED; 220, CENTER- 6 USED) (SUB AH97195)	
	AH65216	SLAT	12	(220) (SUB AH97196)	
7	AH80098	SLAT	18	(222) (SUB AH97197)	
	AH81256	SLAT	18	(224) (SUB AH97200)	
	E40203	U-BOLT	24		
8	E40202	LOCK NUT	48	-365600 (SUB E45229)	
	E45229	LOCK NUT	48		
9	E40205	CAP	24		
10	E40206	BASE	24		
11	AE24410	ARM	24		
12	19H2020	CAP SCREW	72	5/16" X 1/2"	
	12H303	LOCK WASHER	72	5/16"	
	14H785	NUT	72	5/16"	
13	H84031	PLATE	4	(213, 215, 216, 218)	
	H84031	PLATE	4	(220)	
	H88454	PLATE	4	-267450 (SUB H98689) (220)	
	H88454	PLATE	4	267451- (SUB H98689) (222 AND 224)	

**PICKUP REEL-BLACK (RIGID AND FLEXIBLE)
(SERIAL NO. 365601-)**

H26615 -UN-01JAN94



H26615

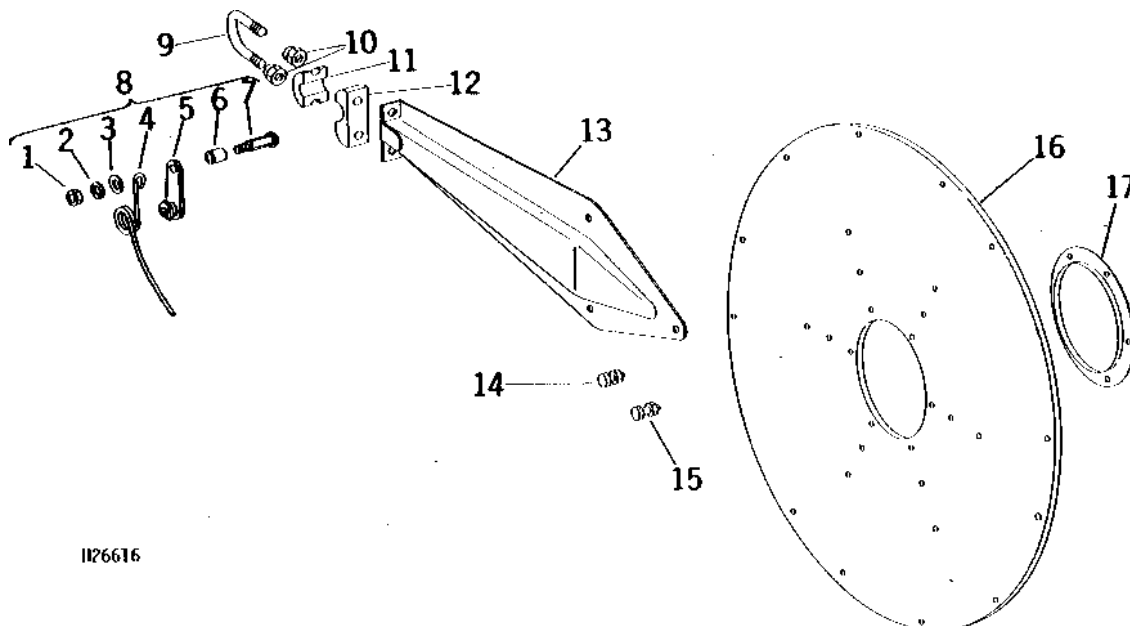
KEY	PART NO.	PART NAME	QTY	SERIAL NO.	REMARKS
1	AH97182	SHAFT	6	(213)	
	AH97183	SHAFT	6	(215)	
	AH97184	SHAFT	6	(216)	
	AH97185	SHAFT	6	(218)	
	AH97186	SHAFT	6	(220)	
	AH97187	SHAFT	6	(222)	
	AH97188	SHAFT	6	(224)	
2	AH97189	SHAFT	6	433738-	(230)
	03H1810	BOLT	AR		1/4" X 1-1/2"
3	E45229	LOCK NUT	AR		
	H33316	FINGER	AR		(213-186 USED; 215-216 USED; 216-234 USED; 218-258 USED; 220-294 USED; 222-324 USED; 224-360 USED; AND 230-456 USED)
4	H33317	CLIP	AR		(213-186 USED; 215-216 USED; 216-234 USED; 218-258 USED; 220-294 USED; 222-324 USED; 224-360 USED; AND 230-456 USED)
5	H33318	RIVET	AR		(213-186 USED; 215-216 USED; 216-234 USED; 218-258 USED; 220-294 USED; 222-324 USED; 224-360 USED; AND 230-456 USED)
6	AH97190	SLAT	12		R.H AND L.H. (213)
	AH97191	SLAT	6		CENTER (213)
	AH97193	SLAT	18		(215)
	AH97194	SLAT	AR		(216-18 USED AND 218 CENTER-6 USED)
	AH97195	SLAT	AR		(218, R.H. AND L.H.-12 USED; 220, CENTER-6 USED)
	AH97196	SLAT	12		(220)
	AH97197	SLAT	18		(222)
	AH97200	SLAT	18		(224)
	AH97198	SHAFT	12	433738-	R.H. AND L.H. (230)
	AH97199	SHAFT	12	433738-	CENTER (230)
7	E40203	U-BOLT	AR		(213, 215, 216, 218, 220, 222, 224-36 USED; AND 230-42 USED)
8	E40202	LOCK NUT	AR	-585895	(SUB E45229)
	E45229	LOCK NUT	AR		(213, 215, 216, 218, 220, 222, 224-72 USED; AND 230-42 USED)
9	E40205	CAP	AR		(213, 215, 216, 218, 220, 222, 224-36 USED; AND 230-42 USED)
10	E40206	BASE	AR		(213, 215, 216, 218, 220, 222, 224-36 USED; AND 230-42 USED)
11	AH97207	ARM	AR		(213, 215, 218, 220, 222, 224-36 USED; AND 230-42 USED)
12	19H2020	CAP SCREW	72		5/16" X 1/2"
	12H303	LOCK WASHER	72		5/16"
	14H785	NUT	72		5/16"
13	H98688	PLATE	4		(213, 215, 216, AND 218)
	H98689	PLATE	AR		(220, 222, 224-4 USED; AND 230-5 USED)

F5

REEL

PICKUP REEL ECCENTRIC SPIDER (RIGID AND FLEXIBLE)
(SERIAL NO. -231153)

H26616 -UN-01JAN94



KEY	PART NO.	PART NAME	QTY	SERIAL NO.	REMARKS
1	P42337	LOCK NUT	6		(RIGID) (SUB E59584, THIS APPLICATION)
	14H1040	NUT	6		1/2", (FLEXIBLE)
2	12H301	LOCK WASHER	6		1/2"
3	24H1111	WASHER	1		17/32" X 1-1/16" X 0.090", (RIGID)
	24H1162	WASHER	1		17/32" X 1-1/4" X 0.060", (FLEXIBLE)
4	H33333	FINGER	6		L.H. (RIGID)
	H33332	FINGER	6		R.H. (RIGID)
5	AH61937	STRAP	6		(SUB AH97221) (RIGID)
6	E40212	SPACER	6		(RIGID)
	H89200	SPACER	6		(FLEXIBLE)
7	H33334	PIN	6		(RIGID) (SUB E59584 AND E59585)
	19H1831	CAP SCREW	6		1/2" X 2", (FLEXIBLE)
8	AH66884	FINGER	6		L.H. (RIGID) (SUB AH97218)
	AH66883	FINGER	6		R.H. (RIGID) (SUB AH97217)
9	E40203	U-BOLT	6		
10	E40202	LOCK NUT	12	-231153	(SUB E45229)
	E45229	LOCK NUT	12		
	E40205	CAP	6		
12	E40206	BASE	6		
13	AE24410	ARM	6		(SUB AH97207)
14	19H2020	CAP SCREW	12		5/16" X 1/2"
	12H303	LOCK WASHER	12		5/16"
	14H785	NUT	12		5/16"
15	19H1900	CAP SCREW	6		5/16" X 3/4"
	12H303	LOCK WASHER	6		5/16"
	14H785	NUT	6		5/16"
16	H84030	PLATE	1		(SUB H98691)
17	H64720	RING	1		(SUB H98693)

NOTE: QUANTITIES SHOWN ARE FOR ONE END ONLY.

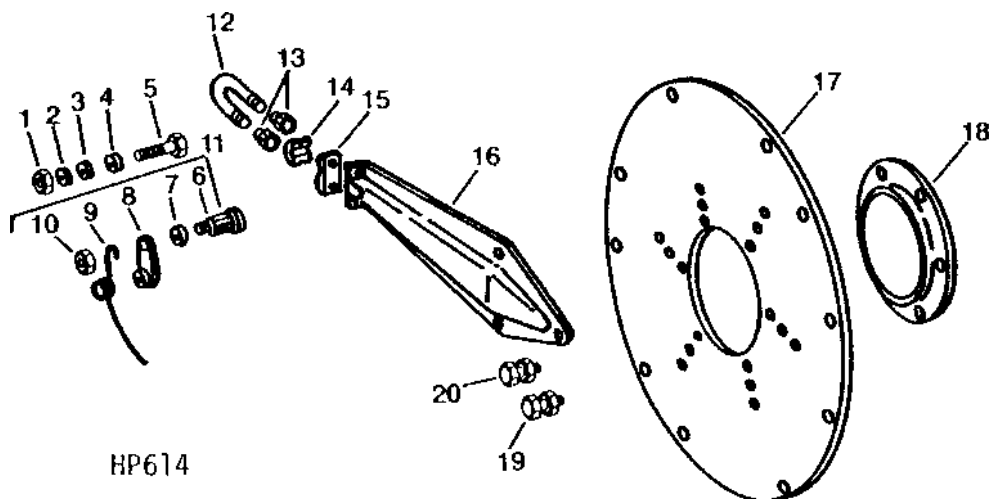
MEMORANDA

F6

REEL

PICKUP REEL ECCENTRIC SPIDER (RIGID AND FLEXIBLE)
(SERIAL NO. 231154-)

HP614 -UN-01JAN94



HP614

KEY	PART NO.	PART NAME	QTY	SERIAL NO.	REMARKS
1	14H1040	NUT	1		1/2", (FLEXIBLE)
2	12H301	LOCK WASHER	1		1/2", (FLEXIBLE)
3	24H1162	WASHER	1		17/32" X 1-1/4" X 0.060", (FLEXIBLE)
4	H89200	SPACER	6		(FLEXIBLE)
5	19H1831	CAP SCREW	1		1/2" X 2", (FLEXIBLE)
6	E59585	BOLT	6		(RIGID)
7	E40212	SPACER	6		(RIGID)
8	AH61937	STRAP	6	-365600	(SUB AH97221) (YELLOW) (RIGID)
	AH97221	STRAP	6	365601-	(BLACK) (RIGID)
9	H33332	FINGER	6		R.H. (RIGID)
	H33333	FINGER	6		L.H. (RIGID)
10	E59584	FLANGE NUT	6		FLANGE (RIGID)
11	AH66883	FINGER	6	-365600	R.H. (YELLOW) (RIGID) (SUB AH97217)
	AH97217	FINGER	6		R.H. (BLACK) (RIGID)
	AH66884	FINGER	6	-365600	L.H. (YELLOW) (RIGID) (SUB AH97218)
	AH97218	FINGER	6		L.H. (BLACK) (RIGID)
12	E40203	U-BOLT	6		
13	E40202	LOCK NUT	12	-585895	(SUB E45229)
	E45229	LOCK NUT	12		
14	E40205	CAP	6		
15	E40206	BASE	6		
16	AE24410	ARM	6	-365600	(SUB AH97207) (YELLOW)
	AH97207	ARM	6	365601-	(BLACK)
17	H84030	PLATE	1	-365600	(YELLOW) (SUB H98691)
	H98691	PLATE	1		(BLACK)
18	H64720	RING	1	-365600	(YELLOW) (SUB H98693)
	H98693	RING	1		(BLACK)
19	19H2020	CAP SCREW	12		5/16" X 1/2"
	12H303	LOCK WASHER	12		5/16"
	14H785	NUT	12		5/16"
20	19H1900	CAP SCREW	6		5/16" X 3/4"
	12H303	LOCK WASHER	6		5/16"
	14H785	NUT	6		5/16"

NOTE: QUANTITIES SHOWN ARE FOR ONE END ONLY.

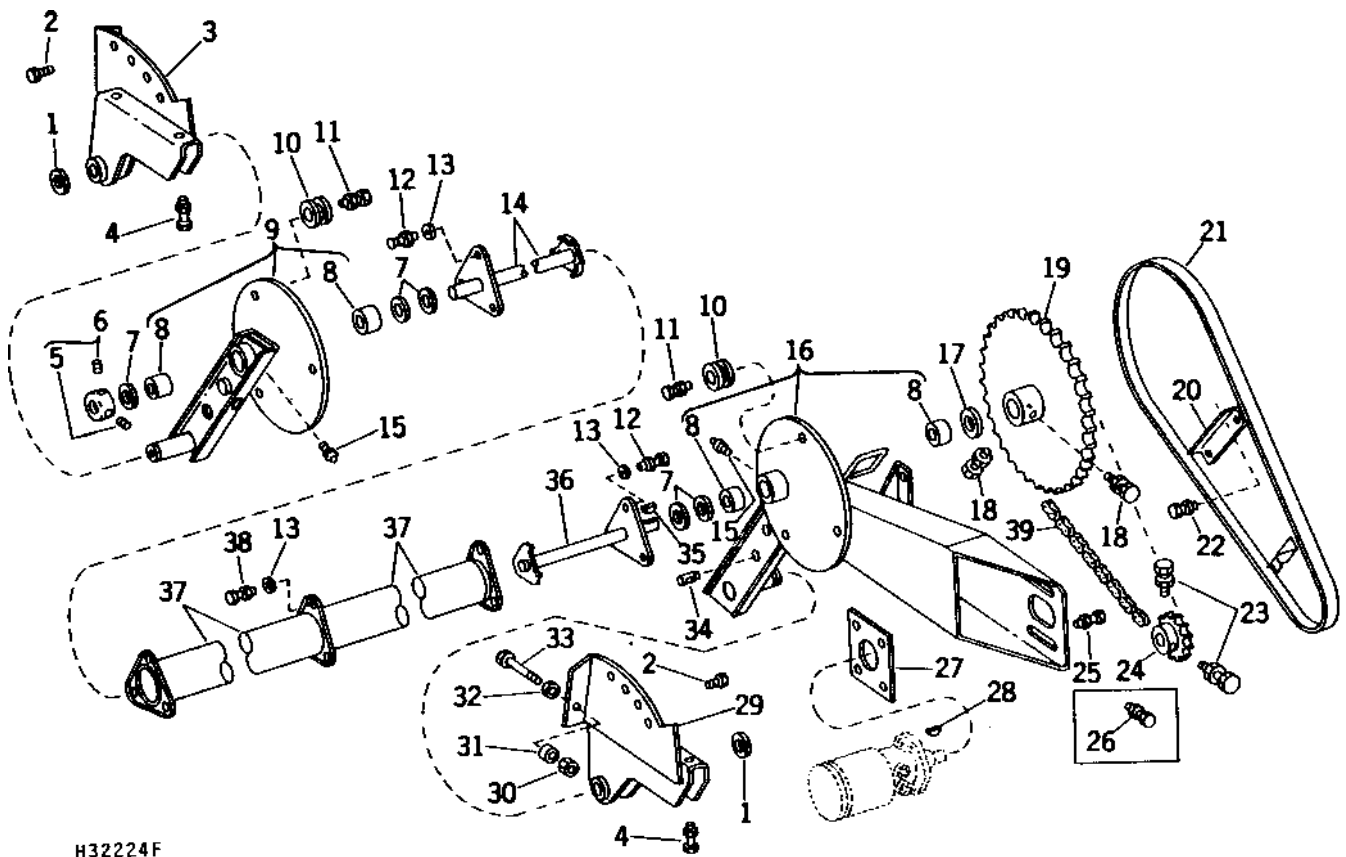
F7

REEL

PICKUP REEL DRIVE SHAFTS, MOUNTINGS, AND SPROCKETS (RIGID AND FLEXIBLE)

H32224F

-UN-01JAN94



H32224F

**PICKUP REEL DRIVE SHAFTS, MOUNTINGS, AND SPROCKETS - CONTINUED
(RIGID AND FLEXIBLE)**

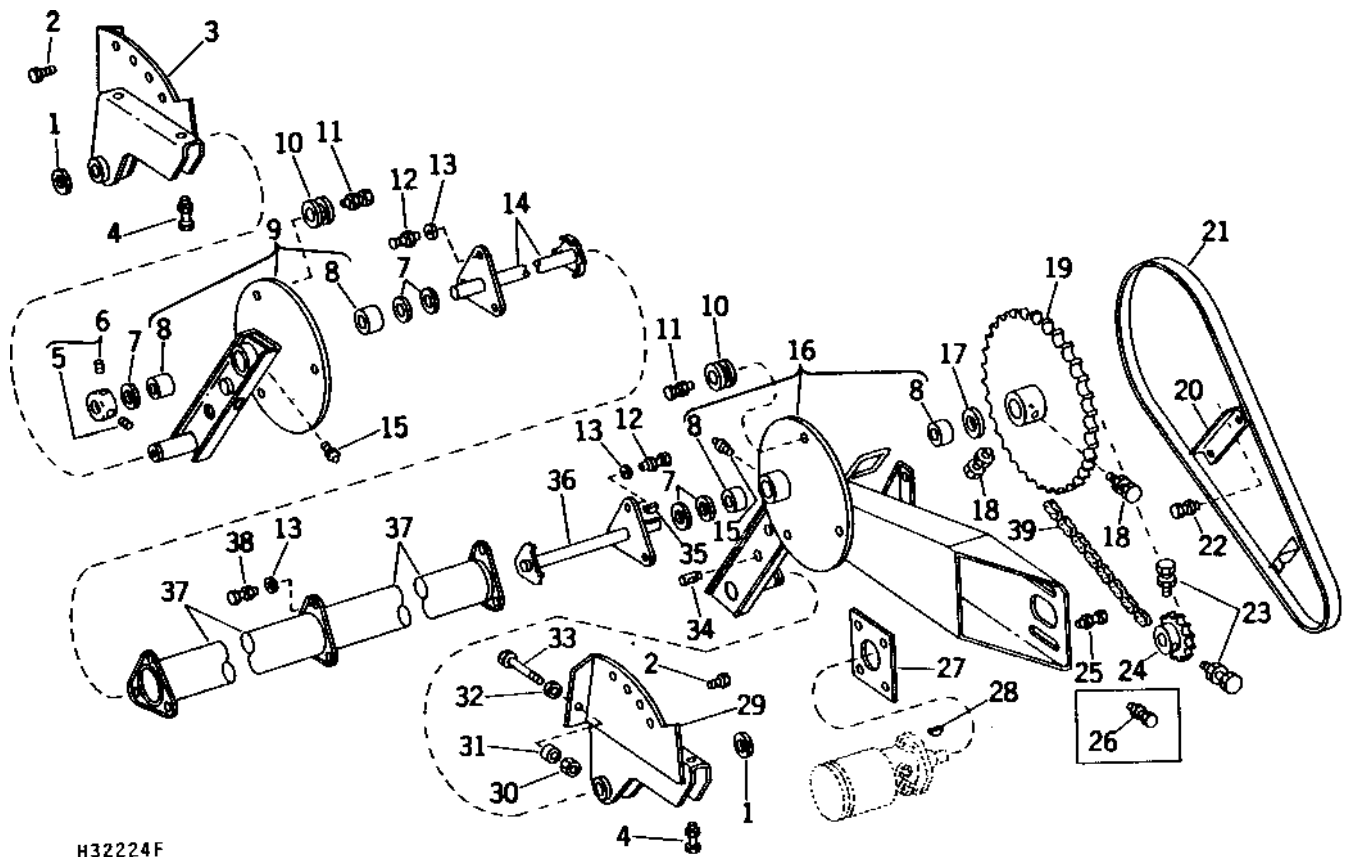
KEY	PART NO.	PART NAME	QTY	SERIAL NO.	REMARKS
1	C3142E	SNAP RING	2		
2	19H1792	CAP SCREW	2		1/2" X 1"
	12H301	LOCK WASHER	2		1/2"
3	AH119100	BRACKET	1		L.H. (SUB FOR AH88967)
4	H93483	SET SCREW	2		
	14H821	NUT	2		5/8"
5	22H1043	SET SCREW	2		3/8" X 1/4"
6	AH89655	LOCKING COLLAR	1		
7	24H1553	WASHER	5		1-5/8" X 2-1/4" X 0.194"
8	H98743	BUSHING	4		(SUB FOR E40204, THIS APPLICATION)
9	AH97283	SUPPORT	1		(SUB FOR AH88971) L.H.
10	AE24403	BALL BEARING	6		
11	19H1765	CAP SCREW	6		3/8" X 1-3/4"
	12H304	LOCK WASHER	6		3/8"
	14H812	NUT	6		3/8"
12	03H1500	BOLT	1		3/8" X 1"
	12H304	LOCK WASHER	1		3/8"
	H20024	LOCK NUT	1		
13	24H1305	WASHER	12	-231153	13/32" X 13/16" X 0.065"
14	AH97215	SHAFT	1	365601-620300	(SUB FOR AE24407) (BLACK) (213, 215, 216, AND 218)
	AH127484	SHAFT	1	620301-	(BLACK) (213, 215, 216 AND 218)
	AH97216	SHAFT	1	-621250	(SUB FOR AE24407 AND AH89657) (BLACK) (220, 222, AND 224)
	AH127486	SHAFT	1	621251-	(BLACK) (220, 222 AND 224)
	AH127488	SHAFT	1	621751-	(BLACK)(230) (SUB FOR AH106100)
15	JD7759	LUBRICATION FITTING	2		STRAIGHT, 1/8"
16	AH97282	BRACKET	1		(SUB FOR AH88970 AND AH95483) R.H.
17	24H1520	WASHER	1		1-15/32" X 2" X 0.105"
18	22H853	SET SCREW	2		3/8" X 7/8"
	14H732	NUT	2		3/8"
19	AH88831	CHAIN SPROCKET	1		DRIVEN, 81 TEETH
20	AH96589	BRACKET	1	-317200	REEL SHIELD
21	AH95481	SHIELD	1		(SUB FOR AH88959) DRIVE REEL
22	19H1900	CAP SCREW	2	-317200	5/16" X 3/4"
	12H303	LOCK WASHER	2	-317200	5/16"
	24H1136	WASHER	2	-317200	11/32" X 11/16" X 0.065"
23	22H818	SET SCREW	2		5/16" X 3/4"
	14H611	NUT	2		5/16"
24	AH77367	CHAIN SPROCKET	1		20 TEETH
25	03H1731	BOLT	4		1/2" X 1-1/2"
	12H301	LOCK WASHER	4		1/2"
	14H1040	NUT	4		1/2"
26	03H1774	BOLT	2	-317200	5/16" X 5/8"
	N10213	LOCK NUT	2	-317200	
27	H87360	SHIM	1		
28	26H22	SHAFT KEY	1		1/4" X 1"
29	AH119099	BRACKET	1		R.H. (SUB FOR AH88966)
30	E54809	LOCK NUT	1		FLANGE

THIS PARTS LISTING IS CONTINUED

F9

PICKUP REEL DRIVE SHAFTS, MOUNTINGS, AND SPROCKETS - CONTINUED (RIGID AND FLEXIBLE)

H32224F -UN-01JAN94



H32224F

F10

REEL

**PICKUP REEL DRIVE SHAFTS, MOUNTINGS, AND SPROCKETS - CONTINUED
(RIGID AND FLEXIBLE)**

KEY	PART NO.	PART NAME	QTY	SERIAL NO.	REMARKS
31	H81277	BUSHING	1		
32	24H1111	WASHER	1		17/32" X 1-1/16" X 0.090"
33	08H4654	CAP SCREW	1		1/2" X 7-1/2"
34	H89110	TRUNNION	1		
35	26H46	SHAFT KEY	1		3/8" X 2-1/8"
36	AH97210	SHAFT	1	-620300	(SUB FOR AH88965) DRIVE, R.H. (BLACK) (213, 215, 216, 218 AND 220)
	AH127483	SHAFT	1	620301-	DRIVE, R.H. (BLACK) (213, 215, 216 AND 218)
	AH127485	SHAFT	1	621251-	DRIVE, R.H. (BLACK) (220, 222 AND 224) (SUB FOR AH89656 AND AH97211)
	AH127487	SHAFT	1		DRIVE, R.H. (BLACK)(230) (SUB FOR AH106101)
37	AH65197	SHAFT	1	-365600	CENTER (YELLOW) (213) (NO LONGER AVAILABLE)
	AH97160	SHAFT	1	365601-	CENTER (BLACK) (213)
	AH97161	SHAFT	1	365601-	(SUB FOR AH65199) CENTER (BLACK) (215)
	AH97162	SHAFT	1	365601-	(SUB FOR AH65200) CENTER (BLACK) (216)
	AH97164	SHAFT	1	365601-	(SUB FOR AH65204) CENTER (BLACK) (218)
	AH97166	SHAFT	1	365601-	CENTER (BLACK) (220) (SUB FOR AH65203 AND AH94670)
	AH97167	SHAFT	1	365601-	(SUB FOR AH89659) CENTER (BLACK) (222)
	AH97168	SHAFT	1	365601-	(SUB FOR AH89658) CENTER (BLACK) (224)
	AH97169	SHAFT	1	433738-	CENTER (BLACK) (230)
38	19H1936	CAP SCREW	6		3/8" X 3/4"
	12H304	LOCK WASHER	6		3/8"
	H20024	LOCK NUT	6		
39	LINK CHAIN	1		ROLLER, DRIVE, TYPE 2050, 1-1/4" PITCH, 75 LINKS, (ASSEMBLE FROM AP19992 AND AP19991)
..	H98811	DECAL	1		(213,-620304; 215,-620484; 216,-620685; 218,-620950; 220,-621315; 222,-621450; 224,-621654; 230,-621787)

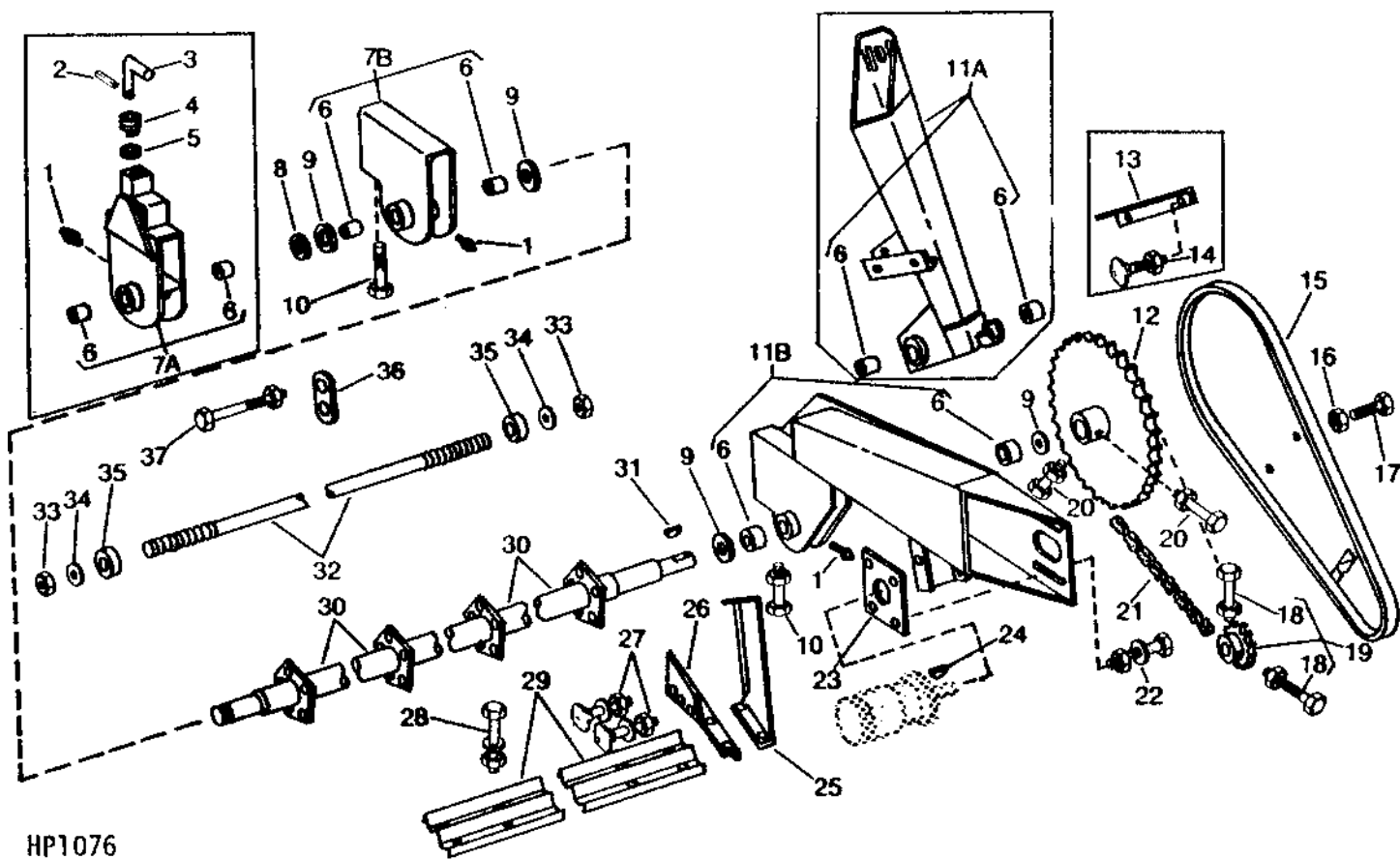
F11

REEL

BAT REEL DRIVE SHAFT, SPROCKETS, MOUNTINGS, AND TRUSS RODS
213, 215, 216 & 218 (-) 220, 222 & 224 (-365600)

HP1076

-UN-01JAN94



HP1076

F12

REEL

BAT REEL DRIVE SHAFT, SPROCKETS, MOUNTINGS, AND TRUSS RODS - CONTINUED
213, 215, 216 & 218 (-) 220, 222 & 224 (-365600)

KEY	PART NO.	PART NAME	QTY	SERIAL NO.	REMARKS
1	JD7759	LUBRICATION FITTING	2		STRAIGHT, 1/8"
2	34H249	SPRING PIN	2	-365600	1/8" X 7/8"
3	H87563	PIN	2	-365600	(NO LONGER AVAILABLE)
4	P35017	SPRING	2	-365600	
5	24H1325	WASHER	2	-365600	15/32" X 59/64" X 0.065"
6	BP13560	BUSHING	4	-365600	
	M1111T	BUSHING	4	365601-	
7A	AH88963	SUPPORT	1	-365600	(SUB AH97231, H93483 AND (2) 14H821)
7B	AH97231	SUPPORT	1		L.H.
8	P43332	PISTON RING	1		
9	24H1520	WASHER	4		1-15/32" X 2" X 0.105"
10	H93483	SET SCREW	2	365601-	
	14H821	NUT	4	365601-	5/8"
11A	AH95479	SUPPORT	1	-365600	(SUB AH97296, H93483 AND (2) 14H821)
11B	AH97296	BRACKET	1		R.H.
12	AH88831	CHAIN SPROCKET	1		DRIVEN, 81 TEETH
13	AH96589	BRACKET	1	-317200	REEL SHIELD
14	03H1774	BOLT	2	-317200	5/16" X 5/8"
	N10213	LOCK NUT	2	-317200	
15	AH88959	SHIELD	1	-317200	(SUB AH95481 AND AH96589)
	AH95481	SHIELD	1		DRIVE, REEL
16	24H1136	WASHER	2	365601-	11/32" X 11/16" X 0.065"
17	19H1900	CAP SCREW	2		5/16" X 3/4"
	12H303	LOCK WASHER	2		5/16"
18	22H818	SET SCREW	2		5/16" X 3/4"
	14H611	NUT	2		5/16"
19	AH66504	CHAIN SPROCKET	1		DRIVE, 30 TEETH
20	22H853	SET SCREW	2		3/8" X 7/8"
21	LINK CHAIN	1		TYPE 2050, 1-1/4" PITCH, 75 LINKS, (ASSEMBLE FROM AP19992 AND AP19991)
22	03H1731	BOLT	4		1/2" X 1-1/2"
	12H301	LOCK WASHER	4		1/2"
	14H1040	NUT	4		1/2"
23	H87360	SHIM	1		
24	26H22	SHAFT KEY	1		1/4" X 1"
25	H139078	SHIELD	5		(SUB FOR H79544) REEL END, L.H.
	H139077	SHIELD	5		(SUB FOR H79545) REEL END, L.H.
26	H76944	ARM	AR		(213, 215, AND 216-20 USED; 218-25 USED)
	H76944	ARM	AR	-365600	(220-25 USED; 222 AND 224-30 USED)
27	03H1527	BOLT	60	-267450	1/4" X 1-1/4"
	21H1024	SCREW	60		1/4" X 5/8"
	12H302	LOCK WASHER	60		1/4"
	14H786	NUT	60		1/4"
28	19H1936	CAP SCREW	50		3/8" X 3/4"
	12H304	LOCK WASHER	50		3/8"
	14H812	NUT	50		3/8"

THIS PARTS LISTING IS CONTINUED

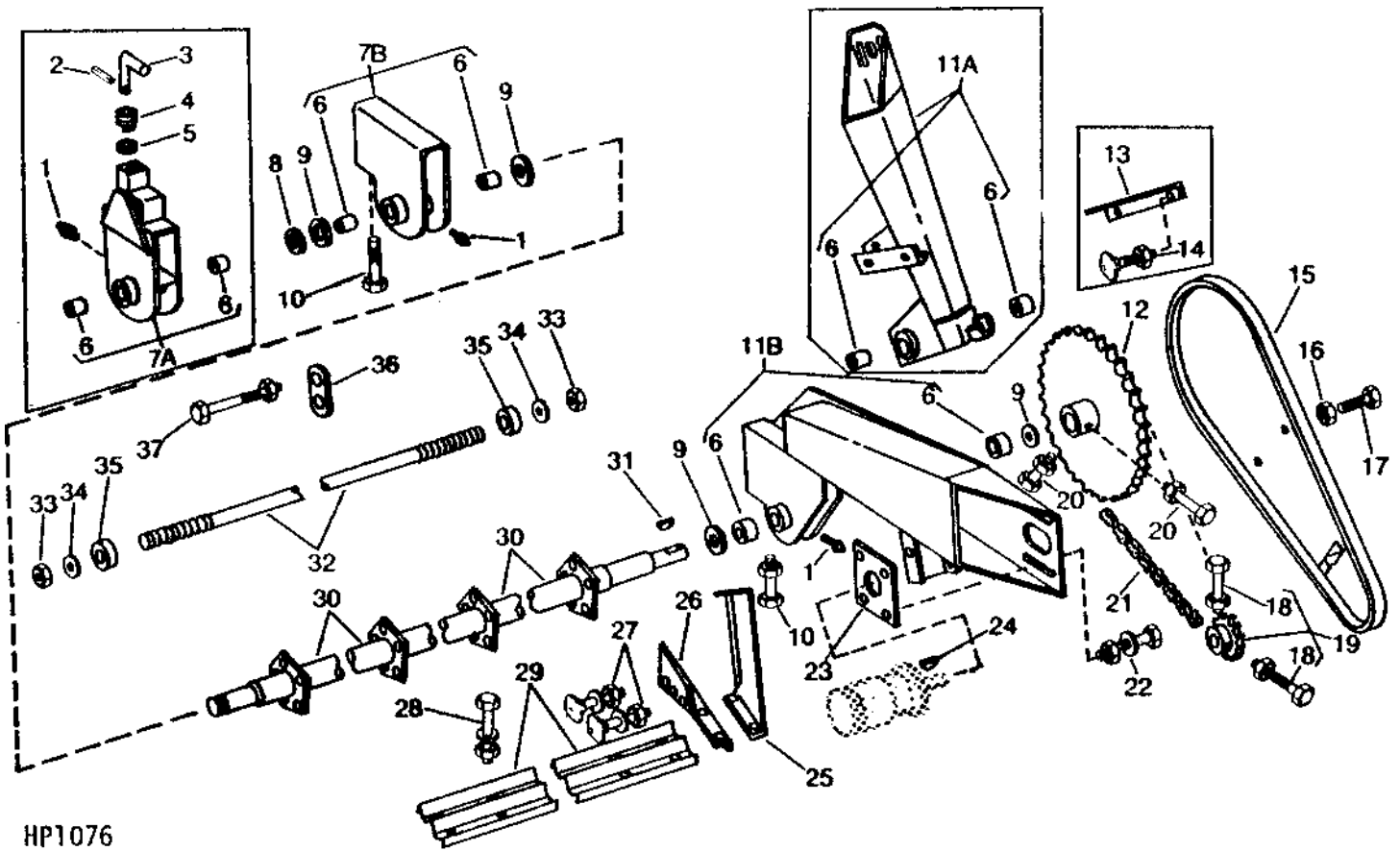
F13

REEL

BAT REEL DRIVE SHAFT, SPROCKETS, MOUNTINGS, AND TRUSS RODS - CONTINUED
213, 215, 216 & 218 (-) 220, 222 & 224 (-365600)

HP1076

-UN-01JAN94



HP1076

F14

REEL

BAT REEL DRIVE SHAFT, SPROCKETS, MOUNTINGS, AND TRUSS RODS - CONTINUED
 213, 215, 216 & 218 (-) 220, 222 & 224 (-365600)

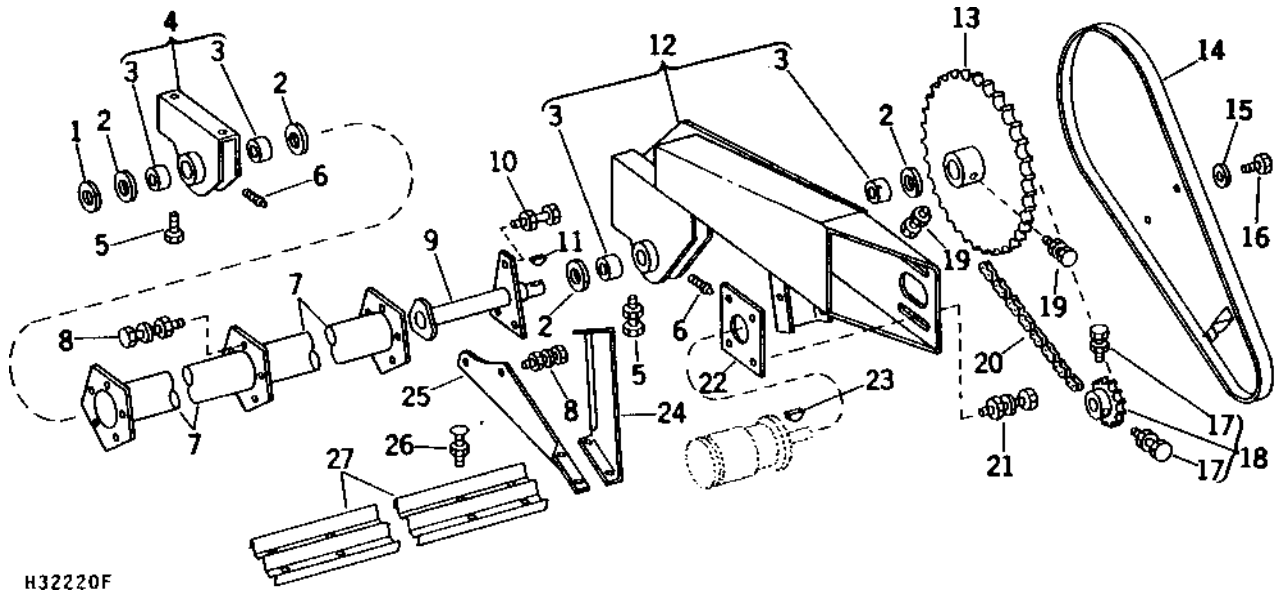
KEY	PART NO.	PART NAME	QTY	SERIAL NO.	REMARKS
29	H24049	SLAT	5	-267450	WOOD (213) (NO LONGER AVAILABLE)
	H62942	SLAT	5	-267450	WOOD (215) (NO LONGER AVAILABLE)
	H22819	SLAT	5	-267450	WOOD (216) (NO LONGER AVAILABLE)
	H22820	SLAT	5	-267450	WOOD (218) (NO LONGER AVAILABLE)
	H28027	SLAT	5	-267450	WOOD (220) (NO LONGER AVAILABLE)
	H104020	SLAT	5		(SUB FOR H95226 OR H98440) METAL, BLACK (213)
	E60573	SLAT	5		(SUB FOR H95227 OR H98441) METAL, BLACK (215)
	E60574	SLAT	5		BLACK (216) (SUB FOR H79258)
	E60574	SLAT	5		(SUB FOR H98442) METAL, BLACK (216)
	E60575	SLAT	5		BLACK (218) (SUB FOR H79259)
	E60575	SLAT	5		(SUB FOR H98443) METAL, BLACK (218)
	H79260	SLAT	5	-365600	(SUB E60576) METAL, YELLOW (220)
	H79261	SLAT	5	-365600	METAL, YELLOW (222)
	H79262	SLAT	5	-365600	METAL, YELLOW (224) (SUB H104022)
30	AH89305	SHAFT	1		(213)
	AH89301	SHAFT	1		(215)
	AH89306	SHAFT	1		(216)
	AH89307	SHAFT	1		(218)
	AH89308	SHAFT	1	-365600	(220) (NO LONGER AVAILABLE)
	AH89309	SHAFT	1	-365600	(222) (NO LONGER AVAILABLE)
	AH89310	SHAFT	1	-365600	(224) (NO LONGER AVAILABLE)
31	26H46	SHAFT KEY	1		3/8" X 2-1/8"
32	H79255	STUD	5		(220)
	H79257	STUD	5		(222)
	H79252	STUD	5		(224)
33	BP12233	LOCK NUT	10		(SUB T11234)
34	24H1311	WASHER	10		13/32" X 1-1/4" X 0.220"
35	H28031	WASHER	10		RUBBER
36	H28030	STRAP	AR		(220-5 USED; 222 AND 224-10 USED)
37	19H1813	CAP SCREW	AR		5/16" X 5/8", (220-5 USED; 222 AND 224-10 USED)
	12H303	LOCK WASHER	AR		5/16", (220-5 USED; 222 AND 224-10 USED)
	14H785	NUT	AR		5/16", (220-5 USED; 222 AND 224-10 USED)

F15

REEL

BAT REEL DRIVE SHAFT, SPROCKETS, AND MOUNTINGS
220, 222, 224 AND 230 (SERIAL NO. 365601-)

H32220F -UN-01JAN94



H32220F

F16

REEL

BAT REEL DRIVE SHAFT, SPROCKETS, AND MOUNTINGS - CONTINUED
220, 222, 224 AND 230 (SERIAL NO. 365601-)

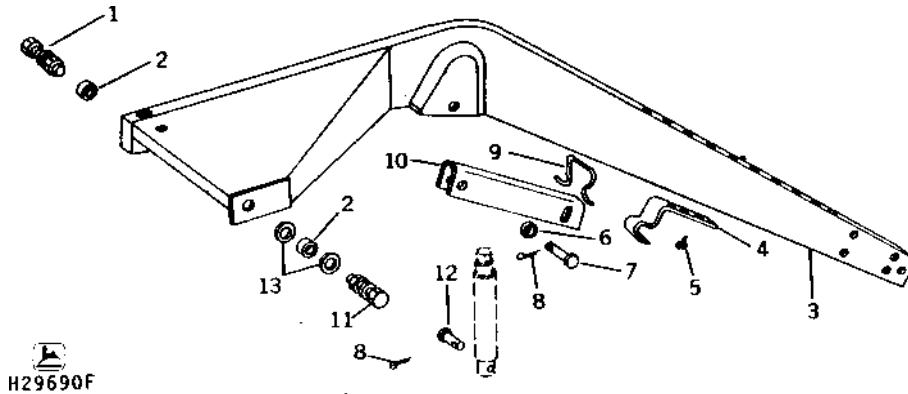
KEY	PART NO.	PART NAME	QTY	SERIAL NO.	REMARKS
1	P43332	PISTON RING	1		
2	24H1520	WASHER	4	1-15/32" X 2" X 0.105"	
3	M1111T	BUSHING	4		
4	AH97231	SUPPORT	1	L.H.	
5	H93483	SET SCREW	2		
	14H821	NUT	4	5/8"	
6	JD7759	LUBRICATION FITTING	2	STRAIGHT, 1/8"	
7	AH133746	TUBE	1	(SUB FOR AH91379) (220)	
	AH133747	TUBE	1	(SUB FOR AH91380) (220)	
	AH133748	TUBE	1	(SUB FOR AH91381) (222)	
	AH133749	TUBE	1	(SUB FOR AH91382) (222)	
8	19H1731	CAP SCREW	AR	3/8" X 1", (220-19 USED; 222 AND 224-24 USED; 230 RIGID- 29 USED)	
	12H304	LOCK WASHER	AR	3/8", (220-19 USED; 222 AND 224-24 USED; 230 RIGID- 29 USED)	
	14H812	NUT	AR	3/8", (220-19 USED; 222 AND 224-24 USED; 230 RIGID- 29 USED)	
9	AH91383	SHAFT	1	R.H. (220, 222, AND 224)	
	AH91384	SHAFT	1	L.H. (220, 222, AND 224)	
	AH91385	SHAFT	1	R.H. (230 RIGID)	
	AH91386	SHAFT	1	L.H. (230 RIGID)	
10	19H1732	CAP SCREW	6	3/8" X 1-1/4"	
	12H304	LOCK WASHER	6	3/8"	
	14H812	NUT	6	3/8"	
11	26H46	SHAFT KEY	1	3/8" X 2-1/8"	
12	AH97296	BRACKET	1	R.H.	
13	AH88831	CHAIN SPROCKET	1	DRIVEN, 81 TEETH	
14	AH95481	SHIELD	1		
15	24H1136	WASHER	2	11/32" X 11/16" X 0.065"	
16	19H1900	CAP SCREW	2	5/16" X 3/4"	
	12H303	LOCK WASHER	2	5/16"	
17	22H818	SET SCREW	2	5/16" X 3/4"	
	14H611	NUT	2	5/16"	
18	AH66504	CHAIN SPROCKET	1	DRIVE, 30 TEETH	
19	22H853	SET SCREW	2	3/8" X 7/8"	
	14H732	NUT	2	3/8"	
20	LINK CHAIN	1	ROLLER, DRIVE, TYPE 2050, 1-1/4" PITCH, 75 LINKS, (ASSEMBLE FROM AP19992 AND AP19991)	
21	03H1731	BOLT	4	1/2" X 1-1/2"	
	12H301	LOCK WASHER	4	1/2"	
	14H1040	NUT	4	1/2"	
22	H87360	SHIM	1		
23	26H22	SHAFT KEY	1	1/4" X 1"	
24	H79544	SHIELD	5	L.H.	
	H79545	SHIELD	5	R.H.	
25	H139076	ARM	AR	(SUB FOR H100243) (220-25 USED; 222 AND 224-30 USED; 230 RIGID-35 USED)	
26	21H1024	SCREW	AR	1/4" X 5/8", (220-50 USED; 222 AND 224-60 USED; 230 RIGID- 70 USED)	
	12H302	LOCK WASHER	AR	1/4", (220-50 USED; 222 AND 224-60 USED; 230 RIGID-70 USED)	
	14H786	NUT	AR	1/4", (220-50 USED; 222 AND 224-60 USED; 230 RIGID-70 USED)	
	14H1040	NUT	1		
27	E60576	SLAT	5	(SUB FOR H98444) METAL, BLACK (220 AND 230 RIGID)	
	H104021	SLAT	5	(SUB FOR H98445) METAL, BLACK (222)	
	H104022	SLAT	5	(SUB FOR H98446) METAL, BLACK (224)	
	E60571	SLAT	10	(SUB FOR H98448) METAL, BLACK (230 RIGID)	

F17

REEL

REEL ARM (RIGID AND FLEXIBLE)
(SERIAL NO. -365600)

H29690F -UN-01JAN94



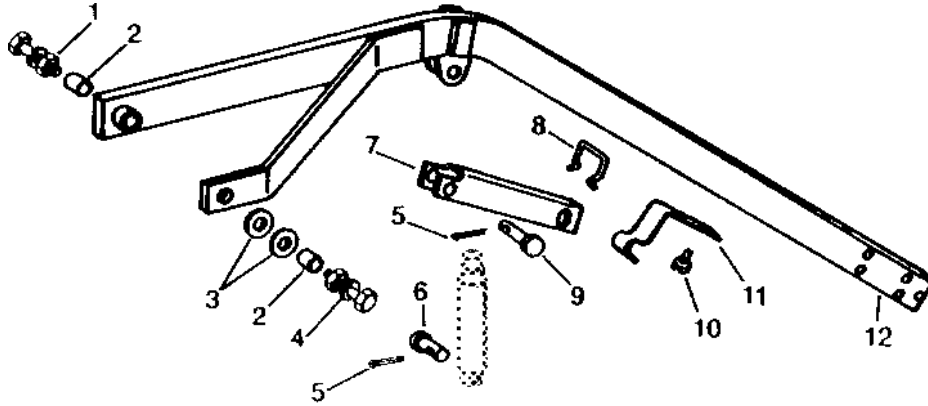
KEY	PART NO.	PART NAME	QTY	SERIAL NO.	REMARKS
1	19H1909	CAP SCREW	1		3/4" X 3-3/4", (SUB 19H2725) (R.H.)
	19H2000	CAP SCREW	1		3/4" X 5", (L.H.)
	12H236	LOCK WASHER	1		3/4"
	14H794	NUT	1		3/4"
2	B10344	BUSHING	4		
	AH88837	ARM	AR		(SUB AH97295, H94005, H98698, H98494, (2) H87048, (2) M63139 AND 11H236)
3	AH97295	ARM	1		L.H.
	AH88836	ARM	AR		(SUB AH97294, H94005, H98698, H98494, (2) H87048, (2) M63139 AND 11H236)
	AH97294	ARM	1		R.H.
4	H87238	LATCH	2		
5	H87048	SCREW	4		SELF-TAPPING
6	H33456	WASHER	2		
7	H87065	PIN	AR	-365600	(1 USED-L.H.; 2 USED-R.H.) (SUB M48519)
	M87968	PIN	1		(SUB FOR M48519)
8	11H216	COTTER PIN	4		3/16" X 1"
9	H87239	RETAINER	2		
10	H87236	STOP	1		L.H. (NO LONGER AVAILABLE)
	H87237	STOP	1		R.H.
11	19H1734	CAP SCREW	2		5/8" X 2"
	12H294	LOCK WASHER	2		5/8"
	14H1039	NUT	2		5/8"
12	H87066	PIN	1		(SUB H98765)
	H98765	PIN	1		DRILLED (L.H.)
13	24H1368	WASHER	4		21/32" X 1-5/16" X 0.090"

F18

REEL

REEL ARM (RIGID AND FLEXIBLE)
(SERIAL NO. 365601-530050)

HP1287 -UN-01JAN94



HP1287

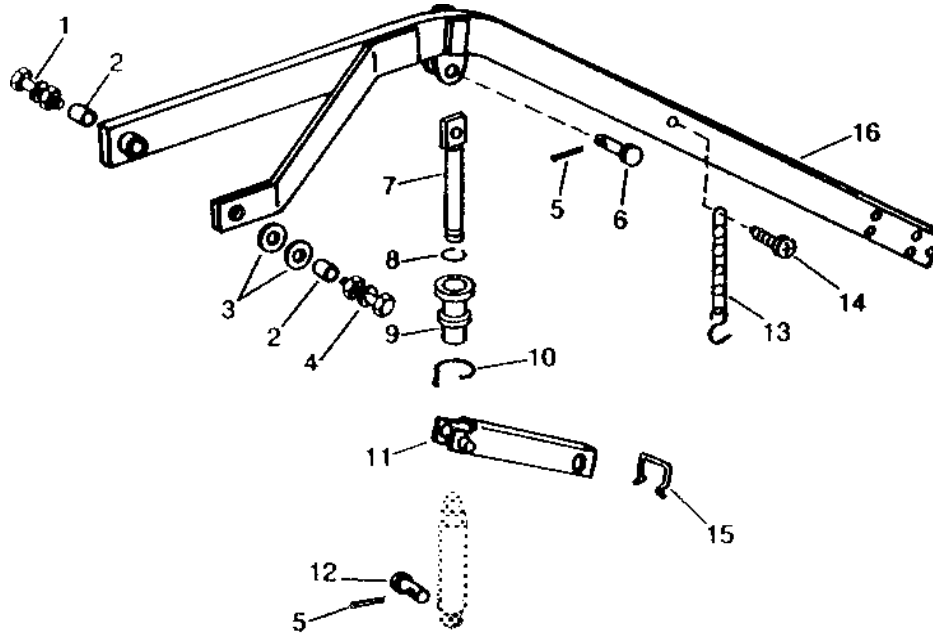
KEY	PART NO.	PART NAME	QTY	SERIAL NO.	REMARKS
1	19H1909	CAP SCREW	1	3/4" X 3-3/4", (SUB 19H2725)	
	19H2000	CAP SCREW	1	3/4" X 5"	
	12H236	LOCK WASHER	1	3/4"	
2	14H794	NUT	1	3/4"	
	M63139	BUSHING	4		
3	24H1368	WASHER	4	21/32" X 1-5/16" X 0.090"	
	19H1734	CAP SCREW	2	5/8" X 2"	
4	12H294	LOCK WASHER	2	5/8"	
	14H1039	NUT	2	5/8"	
5	11H236	COTTER PIN	2	1/8" X 1"	
6	H98765	PIN	1	(213, 215, 216, 218, 220, 222, AND 224; L.H. BOTTOM)	
	H98494	PIN	1	(230 RIGID-L.H. BOTTOM)	
7	M87968	PIN	1	(R.H. BOTTOM) (SUB FOR M48519)	
	H94005	STOP	2		
8	H87239	RETAINER	2		
9	H98494	PIN	2	(TOP)	
	H87048	SCREW	4	SELF-TAPPING	
11	H98698	LATCH	2		
12	AH97229	ARM	1	(SUB AH97295)	
	AH97295	ARM	1	L.H.	
	AH97228	ARM	1	(SUB AH97294)	
	AH97294	ARM	1	R.H.	

F19

REEL

REEL ARM (RIGID AND FLEXIBLE)
(SERIAL NO. 530051-)

HP1288 -UN-01JAN94



HP1288

KEY	PART NO.	PART NAME	QTY	SERIAL NO.	REMARKS
1	19H1909	CAP SCREW	1		3/4" X 3-3/4", R.H. (SUB 19H2725)
	19H2000	CAP SCREW	1		
	12H236	LOCK WASHER	2		
	14H794	NUT	2		
2	M63139	BUSHING	4		3/4"
	24H1368	WASHER	4		
	19H1734	CAP SCREW	2		
	12H294	LOCK WASHER	2		
4	14H1039	NUT	2		21/32" X 1-5/16" X 0.090"
	19H1734	CAP SCREW	2		
	12H294	LOCK WASHER	2		
5	11H236	COTTER PIN	4		5/8" X 2"
	H98765	PIN	2		
	H105501	EXTENSION	2		
7	H105501	EXTENSION	2		5/8"
	H25099	SNAP RING	2		
9	H105498	NUT	2		5/8"
	H105499	RING	2		
10	H118628	RING	2	-600025 (SUB H118628)	5/8"
	H105499	RING	2		
11	AH104396	STOP	2		1/8" X 1"
12	H109147	PIN	1		(TOP)
	H109146	PIN	1		R.H. BOTTOM
13	H98494	PIN	1		L.H. BOTTOM (213, 215, 216, 218, 220, 222 AND 224)
	AH104090	LINK CHAIN	2		L.H. BOTTOM (230)
14	H76139	SCREW	2		
15	H87239	RETAINER	2		
16	AH108562	ARM	1		L.H.
	AH108561	ARM	1		R.H.

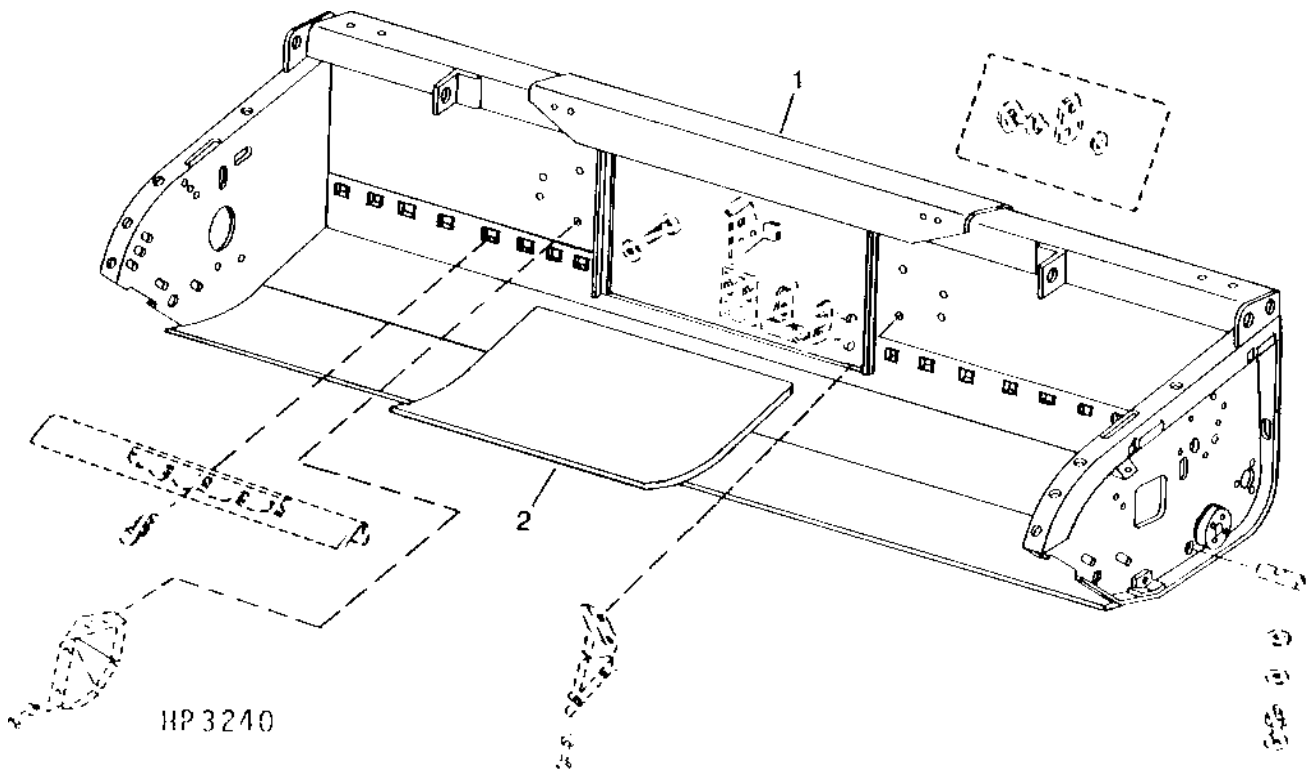
FRAME, SHEETS, DIVIDERS, SKID PLATES, AND HEADER HEIGHT CONTROL
MEMORANDA

F21

FRAME, SHEETS, DIVIDERS, SKID PLATES, AND HEADER HEIGHT CONTROL
FRAME (RIGID AND FLEXIBLE)

HP3240

-UN-01JAN94



F22

FRAME, SHEETS, DIVIDERS, SKID PLATES, AND HEADER HEIGHT CONTROL

FRAME (RIGID AND FLEXIBLE) - CONTINUED

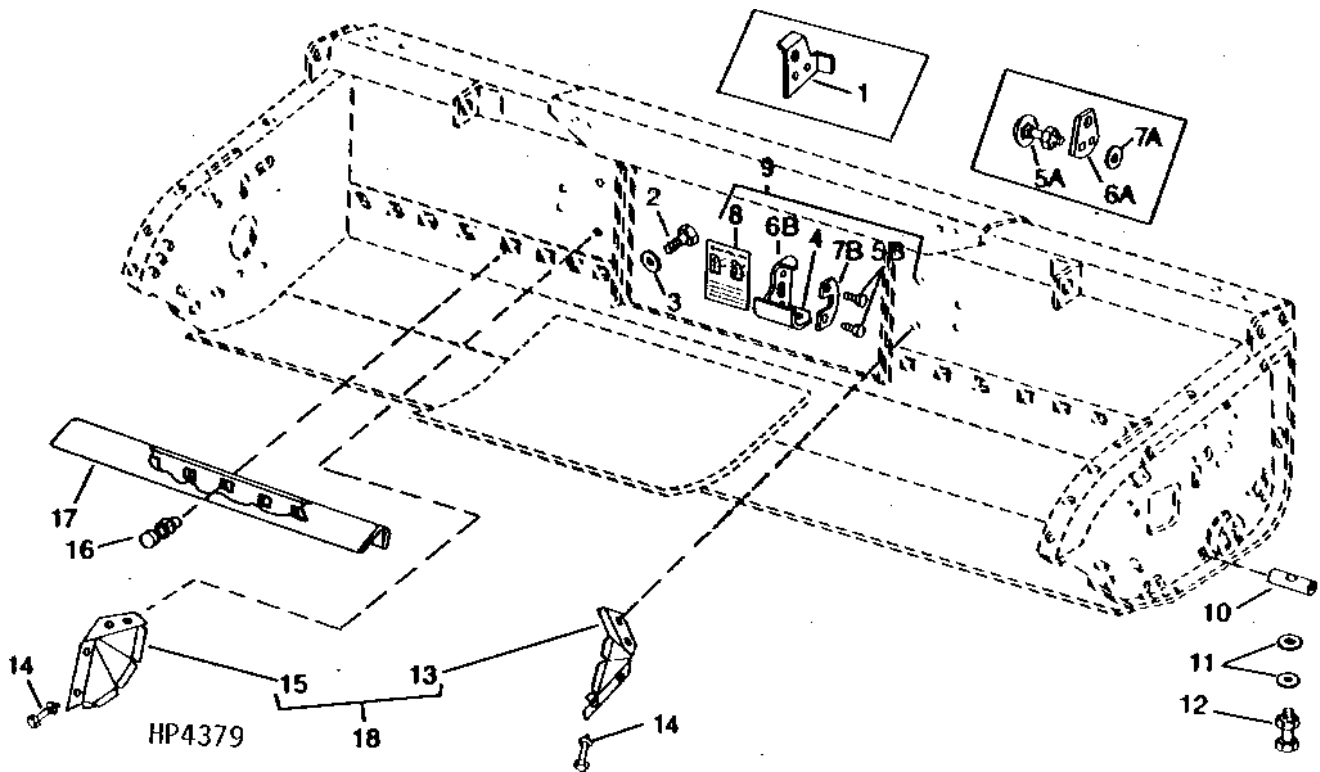
KEY	PART NO.	PART NAME	QTY	SERIAL NO.	REMARKS
1	AH88947	FRAME	1	-229674	(SUB AH94969)
	AH94969	FRAME	AR	-317200	(SUB AH96079, AH97127, AH97129 AND (3) AH95990)
	AH96079	FRAME	1	-365600	(SUB AH98907)
	AH98907	FRAME	1	-530050	(SUB AH103379, H109146 AND H109147)
	AH103379	FRAME	1	-600000	(SUB AH111253)
	AH111253	FRAME	1		(213)
	AH88948	FRAME	1	-229674	(SUB AH90626, AH90627, AH90628, AH90631, (3) AH95991, AH96080 AND AH97127) (215) (NO LONGER AVAILABLE)
	AH94970	FRAME	AR	-317200	(SUB AH96080, AH97127, AH97129 AND (3) AH95991)
	AH96080	FRAME	1	-365600	(SUB AH98908)
	AH98908	FRAME	1	-530050	(SUB AH103380, H109146 AND H109147)
	AH103380	FRAME	1	-600000	(SUB AH111254)
	AH111254	FRAME	1		(215)
	AH88951	FRAME	1	-229674	(SUB AH94971)
	AH94971	FRAME	AR	-317200	(SUB AH96338, AH97127, AH97129 AND (3) AH95992)
	AH96338	FRAME	1	-365600	(SUB AH98909)
	AH98909	FRAME	1	-530050	(SUB AH103381, H109146 AND H109147)
	AH103381	FRAME	1	-600000	(216) (SUB AH111255)
	AH111255	FRAME	1		(216)
	AH88952	FRAME	1	-268385	(SUB AH94972)
	AH94972	FRAME	AR	-317200	(SUB AH95915, AH97127, AH97129 AND (3) AH95993)
	AH95915	FRAME	1	-365600	(SUB AH98910)
	AH98910	FRAME	1	-530050	(SUB AH105135, H109146 AND H109147)
	AH105135	FRAME	1	-600000	(SUB AH111256)
	AH111256	FRAME	1		(218)
	AH88953	FRAME	1	-268385	(SUB AH94973)
	AH94973	FRAME	AR	-317200	(SUB AH95294, AH97127, AH97129, AH96316, H97709, AH88546 AND (3) AH95994)
	AH95294	FRAME	1	-365600	(SUB AH98911)
	AH98911	FRAME	1	-530050	(SUB AH103382, H109146 AND H109147)
	AH103382	FRAME	1	-600000	(SUB AH111257)
	AH111257	FRAME	1		(220)
	AH88954	FRAME	1	-268385	(SUB AH94974)
	AH94974	FRAME	AR		(SUB AH95349, AH97127, AH97129, AH96316, H97709, AH88546 AND (3) AH95994)
	AH95349	FRAME	1	-365600	(SUB AH98912)
	AH103383	FRAME	1	-600000	(SUB AH111258) (SUB FOR AH98912)
	AH111258	FRAME	1		(222)
	AH88949	FRAME	1	-268385	(SUB AH94975)
	AH94975	FRAME	AR		(SUB AH96339, AH97127, AH97129, AH96316, H97709, AH88546 AND (3) AH95994)
	AH96339	FRAME	1	-365600	(SUB AH98913)
	AH103384	FRAME	1	-600000	(SUB AH111259) (SUB FOR AH98913)
	AH111259	FRAME	1		(224)
	AH95001	FRAME	1	-530050	(SUB AH103385 AND H109147)
	AH103385	FRAME	1	-600000	(SUB AH111260)
	AH111260	FRAME	1		(230)
2	H113371	FLOOR	1		(REPAIR ONLY - ARC WELD WHERE NEEDED)

F23

FRAME, SHEETS, DIVIDERS, SKID PLATES, AND HEADER HEIGHT CONTROL
FRAME (RIGID AND FLEXIBLE)

HP4379

-UN-01JAN94



F24

FRAME, SHEETS, DIVIDERS, SKID PLATES, AND HEADER HEIGHT CONTROL

FRAME (RIGID AND FLEXIBLE) - CONTINUED

KEY	PART NO.	PART NAME	QTY	SERIAL NO.	REMARKS
1	H89361	BRACKET	1	-622200	(SUB H132041) R.H. (ARC WELDED)
	H89362	BRACKET	1	-622200	L.H. (ARC WELDED)
2	19H1756	CAP SCREW	AR	-365600	5/8" X 1-1/2"
	12H294	LOCK WASHER	AR	-365600	5/8"
3	H20895	WASHER	AR	-365600	(SUB N72306) (2-SH6600;3-3300,4400,6600,7700)
4	REINFORCEMENT	1		L.H. LATCH PIN PLATE (USE WITH QUIK-TACK OR NEW SERVICE FRAME)
	REINFORCEMENT	1		R.H. LATCH PIN PLATE (USE WITH QUIK-TACK OR NEW SERVICE FRAME)
5A	09H1587	BOLT	4	365601-622200	5/8" X 2"
	12H294	LOCK WASHER	4	365601-622200	5/8"
	14H1039	NUT	4	365601-622200	5/8"
5B	19M7784	SCREW	2		M10 X 20, (USE WITH QUIK-TACK OR NEW SERVICE FRAME)
6A	H91615	PLATE	2	365601-622200	
6B	PLATE	1		L.H. (USE WITH QUIK-TACK OR NEW SERVICE FRAME)
	PLATE	1		R.H. (USE WITH QUIK-TACK OR NEW SERVICE FRAME)
7A	24H1825	WASHER	1	365601-622200	11/16" X 1-1/2" X 0.194"
7B	H137143	PLATE	1		(USE WITH QUIK-TACK OR NEW SERVICE FRAME)
8	H136751	DECAL	1		(INSTALLED ON L.H. SIDE OF BACKSHEET ONLY)
9	AH132905	PIN	1		R.H.
	AH132906	PIN	1		L.H.
10	H147707	PIN	AR		(SUB FOR H87337) (213-4 USED; 215 AND 216-5 USED; 218-6 USED; 220, 222, AND 224-7 USED; 230-10 USED)
	H92469	PIN	1	267451-	L.H.
11	24H1111	WASHER	AR		17/32" X 1-1/16" X 0.090", (213-10;215 & 216-12;218-14; 220,222,224-16;230-22)
12	19H2062	CAP SCREW	AR		1/2" X 4", (213-5;215 & 216-6;218-7; 220,222,224-8;230-11)
	14H1040	NUT	AR		1/2"
13	AH96758	SHIELD	1		(SUB AH137774) (8820 ONLY)
14	03H1268	BOLT	8		5/16" X 3/4"
	12H303	LOCK WASHER	8		5/16"
	14H785	NUT	8		5/16"
15	AH96757	SHIELD	1		(SUB AH137774) (8820 ONLY)
16	03H1765	BOLT	AR		3/8" X 3/4"
	N10215	LOCK NUT	AR		
17	H97187	STRIPPER	1		R.H. (213) (SUB FOR H88209)
	H97189	STRIPPER	1		R.H.(215) (SUB FOR H88208)
	H97191	STRIPPER	1		R.H. (216) (SUB FOR H88207)
	H97193	STRIPPER	1		R.H. (218) (SUB FOR H88206)
	H97195	STRIPPER	1		R.H. (220) (SUB FOR H88205)
	H97197	STRIPPER	1		R.H. (222) (SUB FOR H88204)
	H97199	STRIPPER	1		R.H. (224) (SUB FOR H88203)
	H97201	STRIPPER	1		R.H. (230 RIGID)
	H97188	STRIPPER	1		L.H. (213) (SUB FOR H87546)
	H97190	STRIPPER	1		L.H. (215) (SUB FOR H87544)
	H97192	STRIPPER	1		L.H. (216) (SUB FOR H87556)
	H97194	STRIPPER	1		L.H. (218) (SUB FOR H87553)
	H97196	STRIPPER	1		L.H. (220) (SUB FOR H87550)
	H97198	STRIPPER	1		L.H. (222) (SUB FOR H87592)
	H97200	STRIPPER	1		L.H. (224) (SUB FOR H87541)
	H97202	STRIPPER	1		L.H. (230)
18	AH137774	KIT	1		

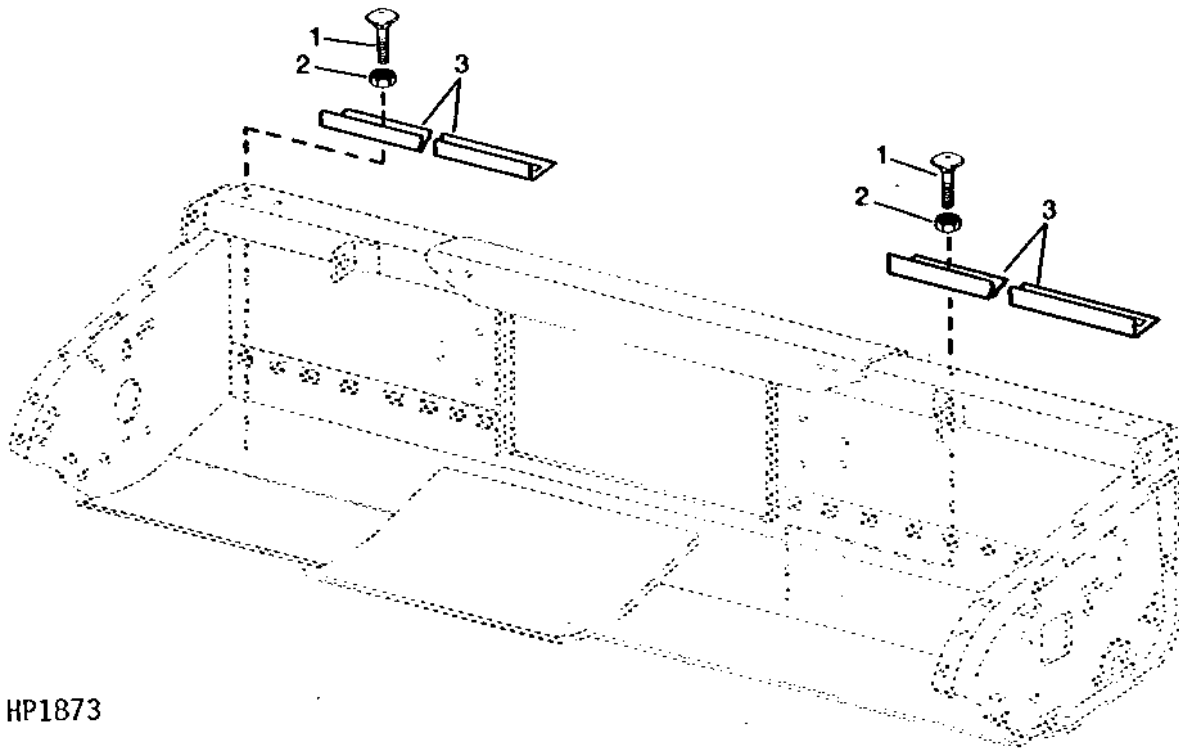
F25

FRAME, SHEETS, DIVIDERS, SKID PLATES, AND HEADER HEIGHT CONTROL

FLOOR STRIPPER

HP1873

-UN-01JAN94



HP1873

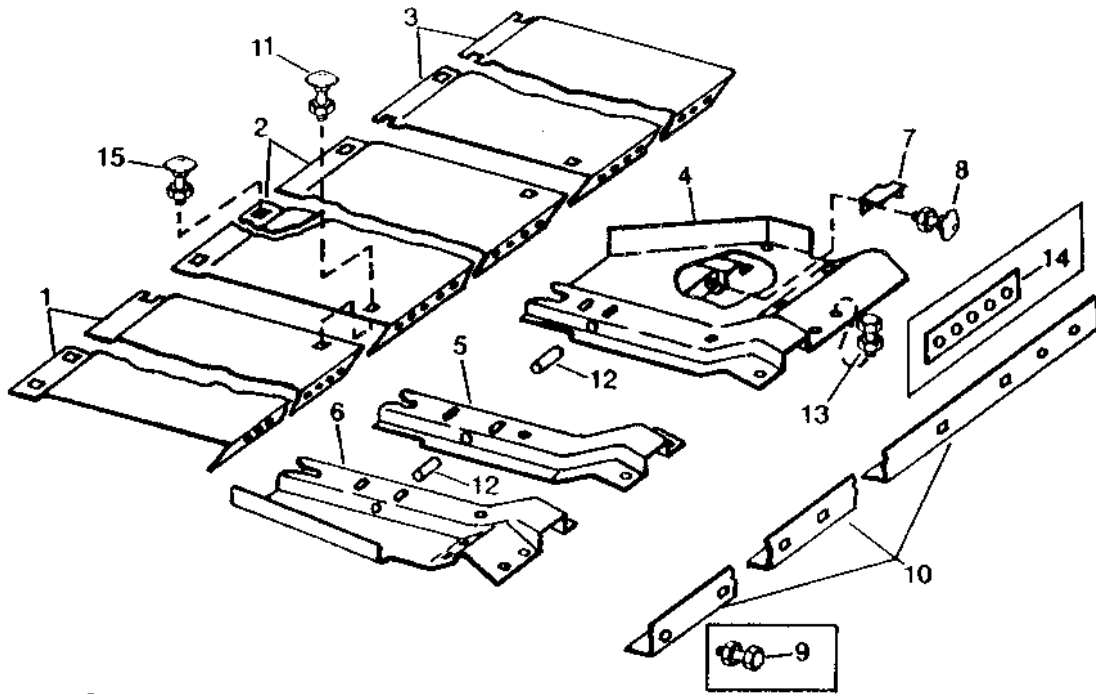
KEY	PART NO.	PART NAME	QTY	SERIAL NO.	REMARKS
1	03H1540	BOLT	AR		5/16" X 3/4", (10 USED - 213) (14 USED - 215, 216, 218) (16 USED - 220, 222) (18 USED - 224, 230)
2	N10213	LOCK NUT	AR		(10 USED - 213) (14 USED - 215, 216, 218) (16 USED - 220, 222) (18 USED - 224, 230)
3	H105161	STRIPPER	2	213	
	H105162	STRIPPER	2	215	
	H105163	STRIPPER	2	216	
	H105164	STRIPPER	2	218	
	H105165	STRIPPER	2	220	
	H105166	STRIPPER	2	222	
	H105167	STRIPPER	2	224	
	H105168	STRIPPER	2	230	

G1

FRAME, SHEETS, DIVIDERS, SKID PLATES, AND HEADER HEIGHT CONTROL MAIN SILL, FEED PLATES, AND SUPPORTS (RIGID)

HP1289

-UN-01JAN94



HP1289

G2

FRAME, SHEETS, DIVIDERS, SKID PLATES, AND HEADER HEIGHT CONTROL

MAIN SILL, FEED PLATES, AND SUPPORTS (RIGID) - CONTINUED

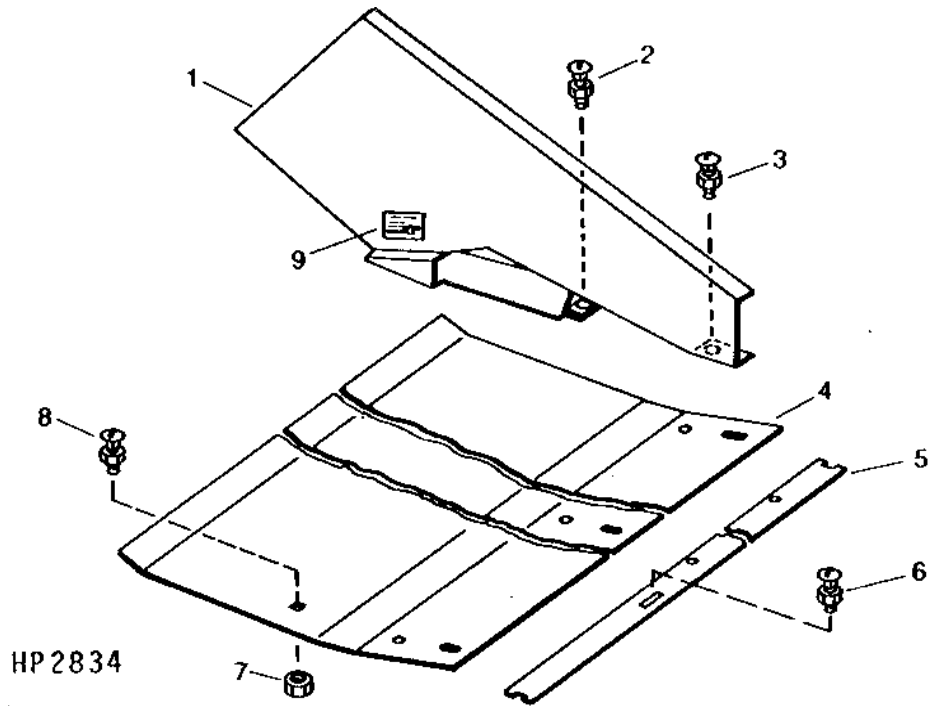
KEY	PART NO.	PART NAME	QTY	SERIAL NO.	REMARKS
1	H103733	PLATE	1		(215, 216-R.H.) (SUB FOR H87575)
	H103734	PLATE	1		(215-L.H.; 220-R.H. AND L.H.) (SUB FOR H87580)
	H103735	PLATE	1		(216-L.H.; 224-R.H. AND L.H.; 230-R.H. AND L.H.) (SUB FOR H87581 AND H94527)
2	H94528	PLATE	1		(SUB FOR H87582) (218 AND 222-R.H. AND L.H.)
	H103732	PLATE	1		(213) (SUB FOR H87523 AND H94526)
	H103736	PLATE	1		CENTER (218) (SUB FOR H87576)
	H103737	PLATE	1		CENTER (220) (SUB FOR H87577)
	H103738	PLATE	1		CENTER (222) (SUB FOR H87578)
	H103739	PLATE	1		CENTER (224) (SUB FOR H87579)
	H103740	PLATE	1		CENTER, R.H. (230) (SUB FOR H97851)
	H103741	PLATE	1		CENTER, L.H. (230) (SUB FOR H97852)
3	H122457	PLATE	1		(SUB FOR H87580 AND H103734) (215-L.H.; 220-R.H. AND L.H.)
	H122458	PLATE	1		(224-R.H. AND L.H.) (SUB FOR H87581, H94527 AND H103735)
	H122459	PLATE	1		(SUB FOR H87582 AND H94528) (218 AND 222-R.H. AND L.H.)
4	H108224	ARM	1		(SUB FOR AH88830 AND H89626) L.H.
5	H89661	ARM	AR		(SUB FOR AH88822) (213-3 USED; 215, 216-4 USED; 218-5 USED; 220, 222, AND 224-6 USED)
6	H98644	ARM	1		(SUB FOR AH88829 AND H89615) R.H.
7	H89108	BRACKET	1	-267450	R.H. (NO LONGER AVAILABLE)
	H94609	BRACKET	1	267451-	R.H.
	H89109	BRACKET	1	-267450	L.H. (NO LONGER AVAILABLE)
	H94610	BRACKET	1	267451-	L.H.
8	03H1519	BOLT	2		3/8" X 1"
	N10215	LOCK NUT	2		
9	10H1026	BOLT	AR	-267450	3/8" X 1"
	N10215	LOCK NUT	AR	-267450	
10	H94532	SILL	1		(SUB FOR H87511) (213)
	H94533	SILL	1		(SUB FOR H87533) (215)
	H94534	SILL	1		(216) (SUB FOR H87513)
	H87535	SILL	1	-267450	(SUB AH94535)
	H94535	SILL	1		(SUB H149816) (218)
	H94536	SILL	1		(SUB FOR H87515) (220)
	H94537	SILL	1		(SUB FOR H87537) (222)
	H94538	SILL	1		(SUB FOR H87517) (224)
11	H94539	SILL	1		(230)
	03H2272	BOLT	AR		5/16" X 1/2", (215 AND 216-1 USED; 218, 220, 222, AND 224-2 USED; 230-4 USED)
	N10213	LOCK NUT	AR		5/16", (215 AND 216-1 USED; 218, 220, 222, AND 224-2 USED; 230-4 USED)
12	R35936	PIN	AR	267451-	(213-5 USED; 215 AND 216-6 USED; 218-7 USED; 220, 222, AND 224-8 USED; 230-11 USED)
13	03H1765	BOLT	AR	267451-	3/8" X 3/4", (213-10 USED; 215 AND 216-12 USED; 218-14 USED; 220, 222, AND 224-16 USED; 230-22 USED)
	N10215	LOCK NUT	AR	267451-	3/8", (213-10 USED; 215 AND 216-12 USED; 218-14 USED; 220, 222, AND 224-16 USED; 230-22 USED)
14	H89673	SHIM	1	267451-530050	
15	03H1540	BOLT	4	530051-	5/16" X 3/4" (213, 215, 216, 220, 224 AND 230)
	N10213	LOCK NUT	4	530051-	(213, 215, 216, 220, 224, AND 230)

G3

FRAME, SHEETS, DIVIDERS, SKID PLATES, AND HEADER HEIGHT CONTROL
SEALS (FLEXIBLE)

HP2834

-UN-01JAN94



G4

FRAME, SHEETS, DIVIDERS, SKID PLATES, AND HEADER HEIGHT CONTROL SEALS (FLEXIBLE) - CONTINUED

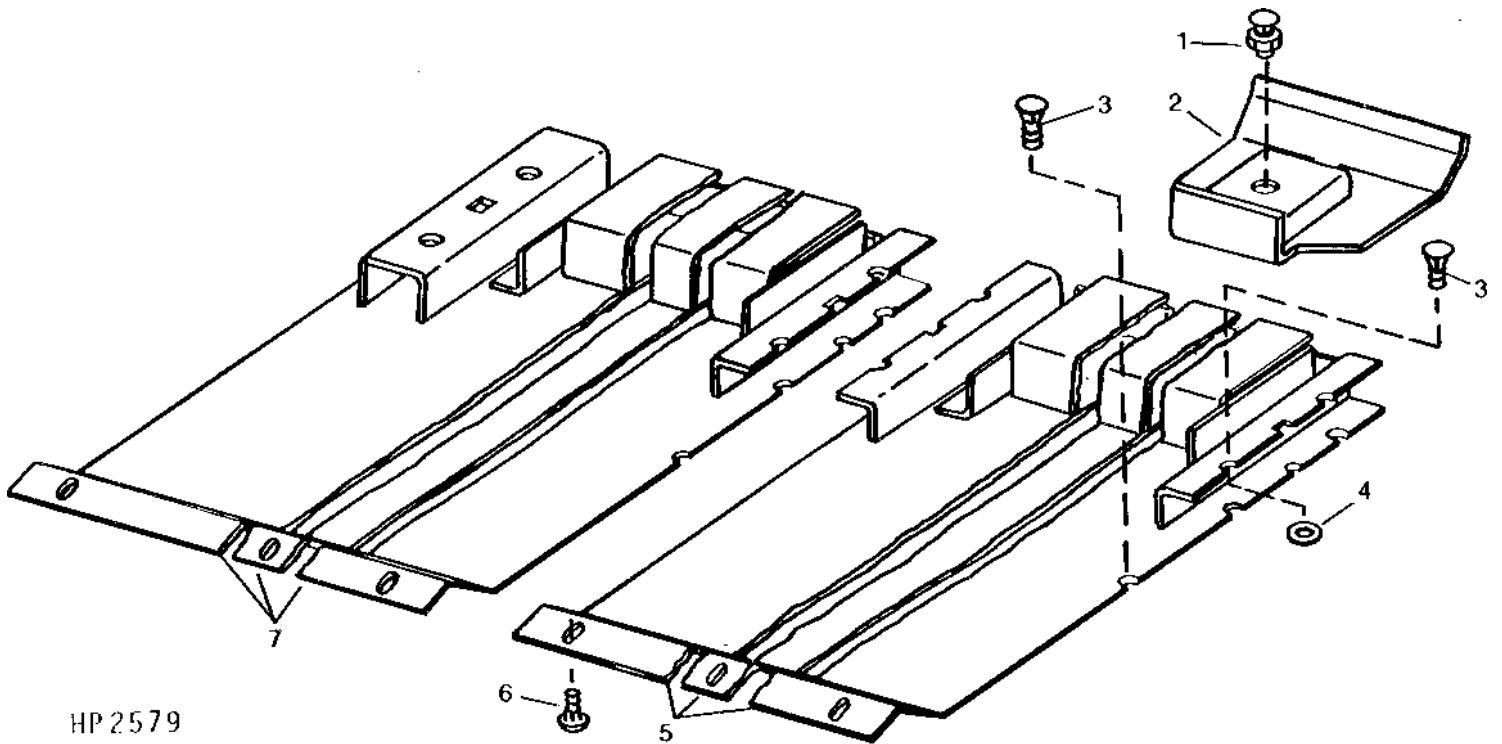
KEY	PART NO.	PART NAME	QTY	SERIAL NO.	REMARKS
1	AH89393	SEAL	1	-530050	(SUB AH108483)
	AH108483	SEAL	1		R.H.
	AH89394	SEAL	1	-530050	(SUB AH101236)
2	AH101236	SEAL	1		L.H.
	03H1500	BOLT	1		3/8" X 1"
	N10215	LOCK NUT	1		
3	03H1765	BOLT	1		3/8" X 3/4"
	N10215	LOCK NUT	1		
4	AH89311	SEAL	1	-317200	(SUB AH96575)
	AH96575	SEAL	1		R.H. (213, 218, AND 222)
	AH89312	SEAL	1	-317200	(SUB AH96576)
	AH96576	SEAL	1		L.H. (213, 218, AND 222)
	AH89326	SEAL	1	-317200	(SUB AH96577)
	AH96577	SEAL	1		R.H. (215 AND 220)
	AH89327	SEAL	1	-317200	(SUB AH96578)
	AH96578	SEAL	1		L.H. (215 AND 220)
	AH89328	SEAL	1	-317200	(SUB AH96579)
	AH96579	SEAL	1		R.H. (216 AND 224)
	AH89329	SEAL	1	-317200	(SUB AH96580)
	AH96580	SEAL	1		L.H. (216 AND 224)
	AH89330	SEAL	AR	-317200	(SUB AH96581)
	AH96581	SEAL	1		(216-1 USED, CENTER; 218-2 USED, CENTER; 220-2 USED, CENTER RIGHT AND CENTER LEFT; 222-1 USED, CENTER)
	AH89332	SEAL	1	-317200	(SUB AH96583)
	AH96583	SEAL	AR		CENTER (215 AND 220-1 USED; 224-3 USED)
AH96582	SEAL	2		(222, CENTER RIGHT AND CENTER LEFT)	
5	H89249	STRIP	1		(220, CENTER RIGHT)
	H89250	STRIP	AR		(215 AND 216-1 USED, R.H.; 218 AND 224-1 USED, R.H.)
	H89253	STRIP	AR		(215-1 USED, L.H.; 220-2 USED, R.H. AND L.H.)
	H89254	STRIP	AR		(218-2 USED, CENTER; 222-1 USED, CENTER LEFT)
	H89256	STRIP	AR		(215 AND 216-1 USED, CENTER; 220-1 USED, CENTER LEFT)
	H89257	STRIP	AR		(213-2 USED, R.H. AND L.H.; 222-2 USED, R.H. AND L.H.)
	H89258	STRIP	AR		(216-1 USED, L.H.; 224-1 USED, L.H.)
	H89251	STRIP	1		(222, CENTER RIGHT)
	H89252	STRIP	1	-542167	(224, CENTER RIGHT) (SUB (2) H113519, H89258 AND H89250, THIS APPLICATION)
	H89255	STRIP	1	-542167	(224, CENTER LEFT) (SUB (2) H113519, H89258 AND H89250, THIS APPLICATION)
H113519	STRIP	2		(224, CENTER RIGHT AND CENTER LEFT) (USE WITH H89258 AND H89250)	
6	03H1709	BOLT	AR		5/16" X 1", (213-8 USED; 215 AND 216-10 USED; 218-12 USED; 220, 222, AND 224-14 USED)
	N10213	LOCK NUT	AR		(213-8 USED; 215 AND 216-10 USED; 218-12 USED; 220, 222, AND 224-14 USED)
7	24H1136	WASHER	AR		11/32" X 11/16" X 0.065", (213-2 USED; 215 AND 216-4 USED; 218-6 USED; 220, 222, AND 224-8 USED)
8	03H1539	BOLT	AR		5/16" X 5/8", (213-2 USED; 215 AND 216-4 USED; 218-6 USED; 220, 222, AND 224-8 USED)
	BP12232	LOCK NUT	AR	-580985	(213-2 USED; 215 AND 216-4 USED; 218-6 USED; 220, 222, AND 224-8 USED) (SUB M40699)
	M40699	NUT	AR		(213-2 USED; 215 AND 216-4 USED; 218-6 USED; 220, 222, AND 224-8 USED)
9	H132865	DECAL	1	620301-	L.H. SEAT

G5

FRAME, SHEETS, DIVIDERS, SKID PLATES, AND HEADER HEIGHT CONTROL
SKID PLATES AND PROTECTION PLATES (RIGID)

HP2579

-UN-01JAN94



HP 2579

G6

FRAME, SHEETS, DIVIDERS, SKID PLATES, AND HEADER HEIGHT CONTROL

SKID PLATES AND PROTECTION PLATES (RIGID) - CONTINUED

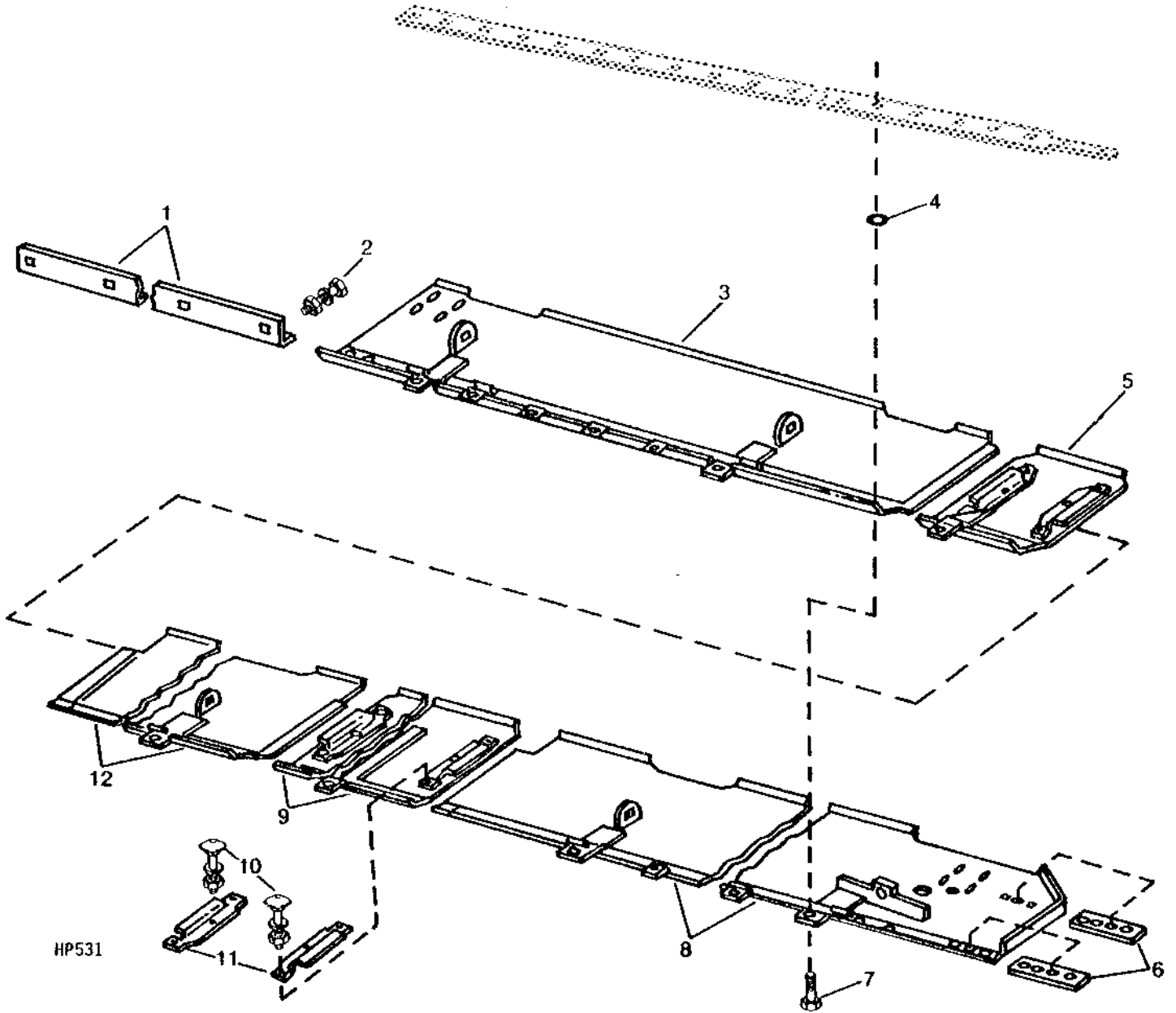
KEY	PART NO.	PART NAME	QTY	SERIAL NO.	REMARKS
1	03H1731	BOLT	AR		1/2" X 1-1/2"
	14H826	NUT	AR		1/2", (USE WITH AH89402)
	E54809	LOCK NUT	AR		FLANGE
2	AH89402	PLATE	AR		(USE WITH AH89403, AH89404, AH89405, AH89406, AND AH89407; OR AH90826, AH90827, AH90828, AH90829, AH90830, HEAVY BOTTOM PROTECTION PLATES) (213-5 USED; 215 AND 216-6 USED; 218-7 USED; 220, 222, AND 224-8 USED; 230-11 USED)
3	03H1499	BOLT	AR		1/2" X 1-1/2", (213-10 USED; 215 AND 216-12 USED; 218- 14 USED; 220, 222, 224-16 USED; 230- 22 USED)
	E54809	LOCK NUT	AR		(213-10 USED; 215 AND 216-12 USED; 218- 14 USED; 220, 222, AND 224-16 USED; 230- 22 USED)
4	24H1850	WASHER	AR		17/32" X 1-1/4" X 0.180", (213-3 USED; 215 AND 216-4 USED; 218-5 USED; 220, 222, AND 224-6 USED; 230-9 USED)
5	AH89397	RUNNER	AR	-267450	(SUB AH90821)
	AH90821	SKID PLATE	AR		(REGULAR) (216 AND 222-1 USED; 215 AND 218-2 USED; 220 AND 230-4 USED)
	AH89400	SKID PLATE	AR	-267450	(SUB AH90824)
	AH90824	SKID PLATE	AR		(REGULAR) (213, 218, AND 230-2 USED; 222-4 USED)
	AH89401	SKID PLATE	AR	-267450	(SUB AH90825)
	AH90825	SKID PLATE	AR		(REGULAR) (215 AND 220-1 USED; 216 AND 230-2 USED; 224-5 USED)
	AH89403	RUNNER	AR	-267450	(SUB AH90826)
AH90826	PLATE	AR		(HEAVY) (216 AND 222-1 USED; 215 AND 218-2 USED; 220 AND 230-4 USED)	
AH89406	AH90829	RUNNER	AR	-267450	(SUB AH90829)
		PLATE	AR		(HEAVY) (213, 218, AND 230-2 USED; 222-4 USED)
AH89407	AH90830	RUNNER	AR	-267450	(SUB AH90830)
		PLATE	AR		(HEAVY) (215 AND 220-1 USED; 216 AND 230-2 USED; 224-5 USED)
6	H88188	SCREW	AR		(213-12 USED; 215 AND 216-15 USED; 218-18 USED; 220, 222, AND 224-21 USED; 230-30 USED)
7	AH89398	SKID PLATE	1	-267450	(SUB AH90822)
	AH90822	SKID PLATE	1		R.H. OUTER
	AH89399	SKID PLATE	1	-267450	(SUB AH90823)
	AH90823	SKID PLATE	1		L.H. OUTER
	AH89404	RUNNER	1	-267450	(SUB AH90827)
	AH90827	PLATE	1		R.H. OUTER (HEAVY)
	AH89405	RUNNER	1	-267450	(SUB AH90828)
	AH90828	PLATE	1		L.H. OUTER (HEAVY)

G7

FRAME, SHEETS, DIVIDERS, SKID PLATES, AND HEADER HEIGHT CONTROL
SKID SHOES (FLEXIBLE)

HP531

-UN-01JAN94



HP531

G8

FRAME, SHEETS, DIVIDERS, SKID PLATES, AND HEADER HEIGHT CONTROL SKID SHOES (FLEXIBLE) - CONTINUED

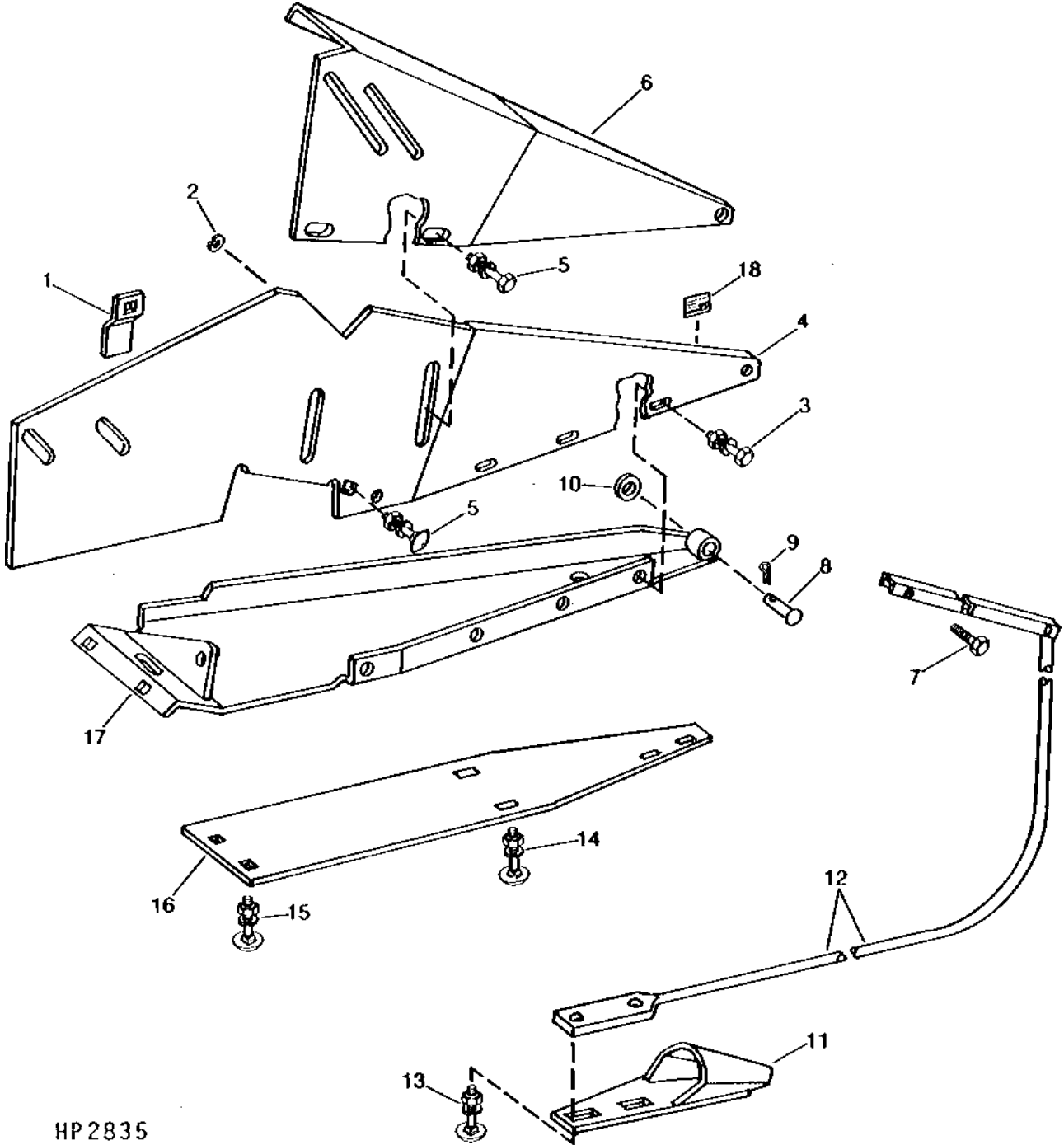
KEY	PART NO.	PART NAME	QTY	SERIAL NO.	REMARKS
1	H89137	ANGLE	AR		(215-2 USED, CENTER RIGHT; CENTER LEFT; 216-1 USED, CENTER; 218-2 USED, CENTER; 220-4 USED, TWO CENTER RIGHT, TWO CENTER LEFT; 222-1 USED, CENTER)
	H89138	ANGLE	AR		(213, 215, 216, 218, 220, 222, AND 224-2 USED, R.H. AND L.H.)
	H89139	ANGLE	AR		(213-2 USED, CENTER; 218-2 USED, CENTER RIGHT, CENTER LEFT; 222-4 USED, TWO CENTER RIGHT, TWO CENTER LEFT)
	H89140	ANGLE	AR		(215 AND 220-1 USED, CENTER; 216-2 USED, CENTER LEFT, CENTER RIGHT; 224-5 USED, CENTER, TWO CENTER RIGHT, TWO CENTER LEFT)
2	03H1500	BOLT	AR		3/8" X 1", (213-14 USED; 215-16 USED; 216-17 USED; 218-20 USED; 220-22 USED; 222-25 USED; AND 224-26 USED)
	N10215	LOCK NUT	AR		(213-14 USED; 215-16 USED; 216-17 USED; 218-20 USED; 220-22 USED; 222-25 USED; 224-26 USED)
3	AH153692	SHOE	1		(SUB FOR AH89324, AH94025, AH102676, AH106595, AH132974, AH144014, AH146144 AND AH151626) R.H.
4	24H1211	WASHER	AR	432499-483925	9/16" X 1-3/8" X 0.105", (213-7 USED; 215 AND 216-9 USED; 218-11 USED; 220, 222, AND 224-13 USED)
5	AH153690	SHOE	AR		229 MM (9") (216, 222-1 USED; 215, 218-2 USED; 220-4 USED) (SUB FOR AH89333, AH93223, AH102679, AH106598, AH132970, AH144009 AND AH151621)
6	H107984	STRAP	2	432499-	
7	19H1721	CAP SCREW	AR		1/2" X 1-1/2", (213-7 USED; 215 AND 216-9 USED; 218-11 USED; 220, 222, 224- 13 USED)
	12H301	LOCK WASHER	AR		1/2"
	14H1040	NUT	AR		1/2"
8	AH106596	SHOE	1	-530050	(SUB FOR AH89316, AH94026, AH96481, AH102677) LH
	AH165643	SHOE	1	530051-	L.H. (SUB FOR AH107315, AH132792, AH132975, AH144013, AH151625 AND AH153747)
9	AH153691	SHOE	AR		457 MM (18") (SUB FOR AH89335, AH93224, AH102680, AH106599, AH132971, AH144010 AND AH151622)
	AH153693	SHOE	AR		533 MM (21") (215 AND 220-1 USED; 213, 216 AND 218-2 USED; 222 AND 224-4 USED) (SUB FOR AH89315, AH93225, AH102681, AH106600, AH132972, AH144011 AND AH151623)
10	03H1765	BOLT	AR	-371204	3/8" X 3/4"
	N10215	LOCK NUT	AR	-371204	
11	H87827	CLIP	AR	-371204	(213-4 USED; 215 AND 216-6 USED; 218-8 USED; 220, 222, AND 224-10 USED)
12	AH153694	SHOE	AR		(213-1 USED; 215 AND 216-2 USED; 218-3 USED; 220, 222 AND 224-4 USED) (SUB FOR AH89314, AH94024, AH102678, AH106597, AH132973, AH144012 AND AH151624)

G9

FRAME, SHEETS, DIVIDERS, SKID PLATES, AND HEADER HEIGHT CONTROL
DIVIDER POINTS (RIGID)

HP2835

-UN-01JAN94



HP2835

G10

FRAME, SHEETS, DIVIDERS, SKID PLATES, AND HEADER HEIGHT CONTROL

DIVIDER POINTS (RIGID) - CONTINUED

KEY	PART NO.	PART NAME	QTY	SERIAL NO.	REMARKS
1	H89197	CLIP	2		
2	24H1305	WASHER	4		13/32" X 13/16" X 0.065"
3	21H1024	SCREW	8		1/4" X 5/8"
	12H302	LOCK WASHER	8		1/4"
	14H812	NUT	8		3/8"
4	H87837	SHEET	1		LOWER, R.H.
	H87838	SHEET	1		LOWER, L.H.
5	03H1765	BOLT	6		3/8" X 3/4"
	12H304	LOCK WASHER	6		3/8"
	14H812	NUT	6		3/8"
6	H87810	SHEET	1		UPPER, R.H.
	H87811	SHEET	1		UPPER, L.H.
7	19H1801	CAP SCREW	2		3/8" X 2"
	BP12233	LOCK NUT	2		(SUB T11234)
8	A15541	PIN	2		DRILLED
9	11H206	COTTER PIN	2		3/32" X 3/4"
10	24H1287	WASHER	2		9/32" X 5/8" X 0.065"
11	AH89395	REINFORCEMENT	2		
12	AH89396	PARTITION	2	-267865	(SUB AH94112)
	AH94112	PARTITION	2		
13	03H1558	BOLT	2		3/8" X 1-1/2"
	12H304	LOCK WASHER	2		3/8"
	14H812	NUT	2		3/8"
14	03H1500	BOLT	3		3/8" X 1"
	12H304	LOCK WASHER	3		3/8"
	14H812	NUT	3		3/8"
15	03H1557	BOLT	2	-530050	3/8" X 1-1/4", L.H.
	12H304	LOCK WASHER	2	-530050	3/8", L.H.
	14H812	NUT	2	-530050	3/8", L.H.
	03H1731	BOLT	2	530051-	1/2" X 1-1/2", L.H.
	12H301	LOCK WASHER	2	530051-	1/2", L.H.
	14H1040	NUT	2	530051-	1/2", L.H.
	03H1500	BOLT	1		3/8" X 1", R.H.
	12H304	LOCK WASHER	1		3/8", R.H.
	14H812	NUT	1		3/8", R.H.
16	H98640	PLATE	1		R.H. (230)
	H98641	PLATE	1	-530050	(SUB H108771, (2) 03H1731, (2) 12H301 AND (2) 14H1040)
	H108771	PLATE	1		L.H. (230)
17	AH89321	SHOE	1	-267450	(SUB AH90851)
	AH90851	SHOE	1	-365600	(SUB AH97101)
	AH97101	SHOE	1		R.H.
	AH89322	SHOE	1	-267450	(SUB AH90850)
	AH90850	SHOE	1	-365600	(SUB AH97102)
	AH97102	SHOE	1		L.H.
18	H132865	DECAL	1	620301-	(LOWER L.H. SHEET)

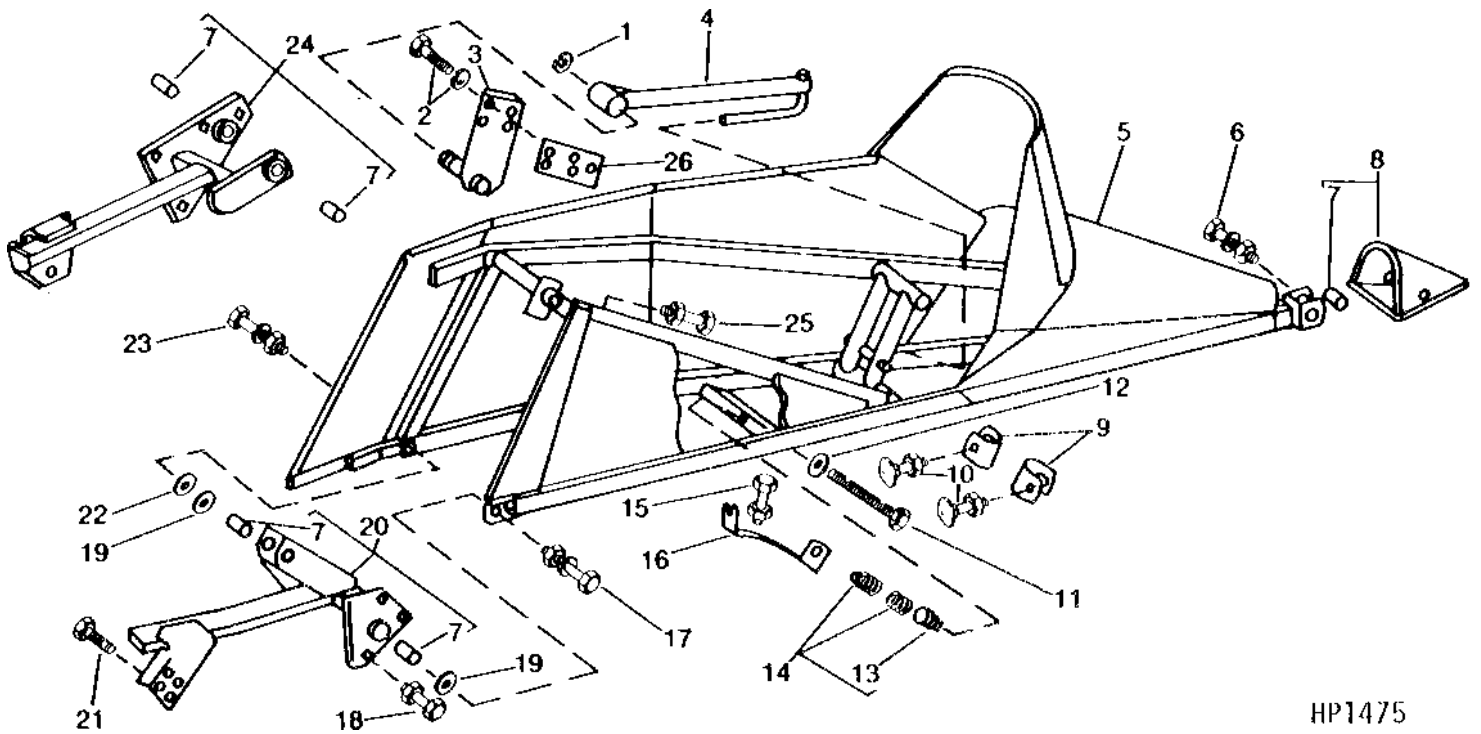
G11

FRAME, SHEETS, DIVIDERS, SKID PLATES, AND HEADER HEIGHT CONTROL

ROW CROP LONG DIVIDERS (FLEXIBLE)

213 (SERIAL NO. -610350)	215 (SERIAL NO. -610500)	216 (SERIAL NO. -610700)
218 (SERIAL NO. -611000)	220 (SERIAL NO. -611200)	222 (SERIAL NO. -611350)
	224 (SERIAL NO. -611550)	

HP1475 -UN-01JAN94



HP1475

G12

FRAME, SHEETS, DIVIDERS, SKID PLATES, AND HEADER HEIGHT CONTROL

ROW CROP LONG DIVIDERS (FLEXIBLE) - CONTINUED

213 (SERIAL NO. -610350) 215 (SERIAL NO. -610500) 216 (SERIAL NO. -610700)
 218 (SERIAL NO. -611000) 220 (SERIAL NO. -611200) 222 (SERIAL NO. -611350)
 224 (SERIAL NO. -611550)

KEY	PART NO.	PART NAME	QTY	SERIAL NO.	REMARKS
1	C3142E	SNAP RING	2		
2	19H1731	CAP SCREW	10	3/8" X 1"	
	12H304	LOCK WASHER	10	3/8"	
3	AH89372	BRACKET	2		
4	AH109887	OUTRIGGER	1	(SUB FOR AH89373)	
	AH89374	OUTRIGGER	1	(SUB AH109886) R.H.	
5	AH89492	CROP DIVIDER	1	R.H. (SUB AH128368 AND AH126635)	
	AH89493	CROP DIVIDER	1	L.H. (SUB AH128369 AND AH126636)	
6	19H2602	CAP SCREW	2	5/8" X 2-5/8"	
	12H294	LOCK WASHER	2	5/8"	
	14H1039	NUT	2	5/8"	
7	AH80384	ISOLATOR	6		
8	AH89390	SHOE	2		
9	H88226	PLATE	4		
10	03H1551	BOLT	4	5/16" X 2-1/2"	
	N10213	LOCK NUT	4		
11	19H3285	CAP SCREW	2	1/2" X 8-1/2"	
12	24H1625	WASHER	2	17/32" X 1" X 0.120"	
13	M899A	PLUG	1		
14	AH89419	SPRING ASSEMBLY	2		
15	03H1519	BOLT	AR	3/8" X 1", (1 USED-R.H.; 3 USED-L.H.)	
	03H1495	BOLT	2	3/8" X 1-1/2", (R.H.)	
	N10215	LOCK NUT	AR		
16	AH89375	BRACKET	2	(SUB AH128365)	
17	19H1847	CAP SCREW	2	5/8" X 2-1/2"	
	12H294	LOCK WASHER	2	5/8"	
	14H1039	NUT	2	5/8"	
18	03H1765	BOLT	3	3/8" X 3/4"	
	N10215	LOCK NUT	3		
19	24H1378	WASHER	4	11/16" X 1-15/32" X 0.134"	
20	AH93819	SUPPORT	1	L.H. (SUB FOR AH89392) (SUB AH127983)	
21	H88188	SCREW	AR	SELF-TAPPING (3 USED-R.H.; 4 USED-L.H.)	
22	24H1373	WASHER	2	21/32" X 1-9/16" X 0.180"	
23	03H1858	BOLT	2	5/8" X 3-1/2"	
	12H294	LOCK WASHER	2	5/8"	
	14H1039	NUT	2	5/8"	
24	AH108465	SUPPORT	1	R.H. (SUB FOR AH89388)	
25	19H2432	CAP SCREW	2	5/8" X 7-1/2"	
	14H821	NUT	4	5/8"	
26	H87976	PLATE	2	(SUB H149739)	

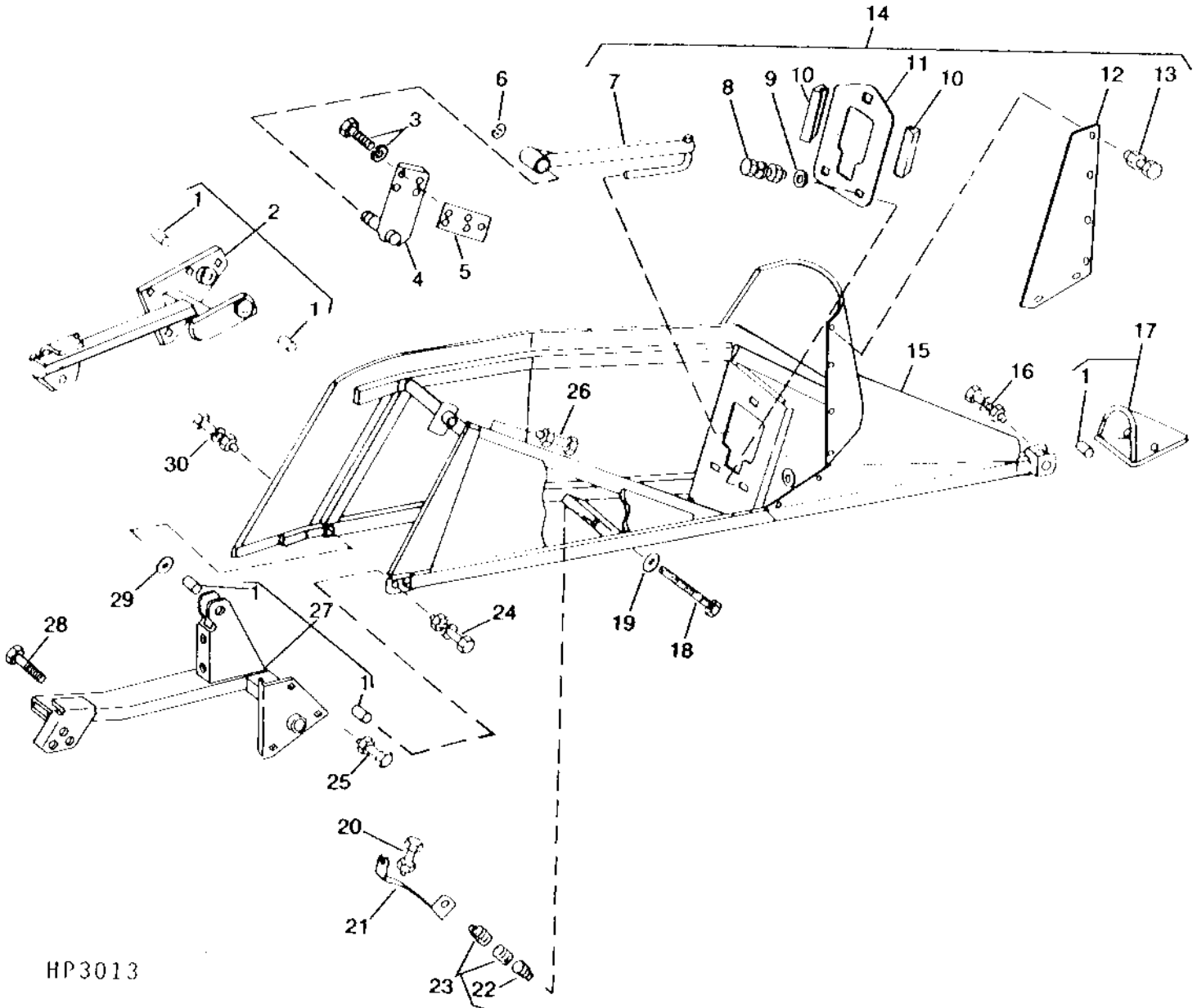
G13

FRAME, SHEETS, DIVIDERS, SKID PLATES, AND HEADER HEIGHT CONTROL

ROW-CROP LONG DIVIDERS (FLEXIBLE)

213 (SERIAL NO. 610351-)	215 (SERIAL NO. 610501-)	216 (SERIAL NO. 610701-)
218 (SERIAL NO. 611001-)	220 (SERIAL NO. 611201-)	222 (SERIAL NO. 611351-)
	224 (SERIAL NO. 611551-)	

HP3013 -UN-01JAN94



HP3013

G14

FRAME, SHEETS, DIVIDERS, SKID PLATES, AND HEADER HEIGHT CONTROL

ROW-CROP LONG DIVIDERS (FLEXIBLE) - CONTINUED

213 (SERIAL NO. 610351-) 215 (SERIAL NO. 610501-) 216 (SERIAL NO. 610701-)
 218 (SERIAL NO. 611001-) 220 (SERIAL NO. 611201-) 222 (SERIAL NO. 611351-)
 224 (SERIAL NO. 611551-)

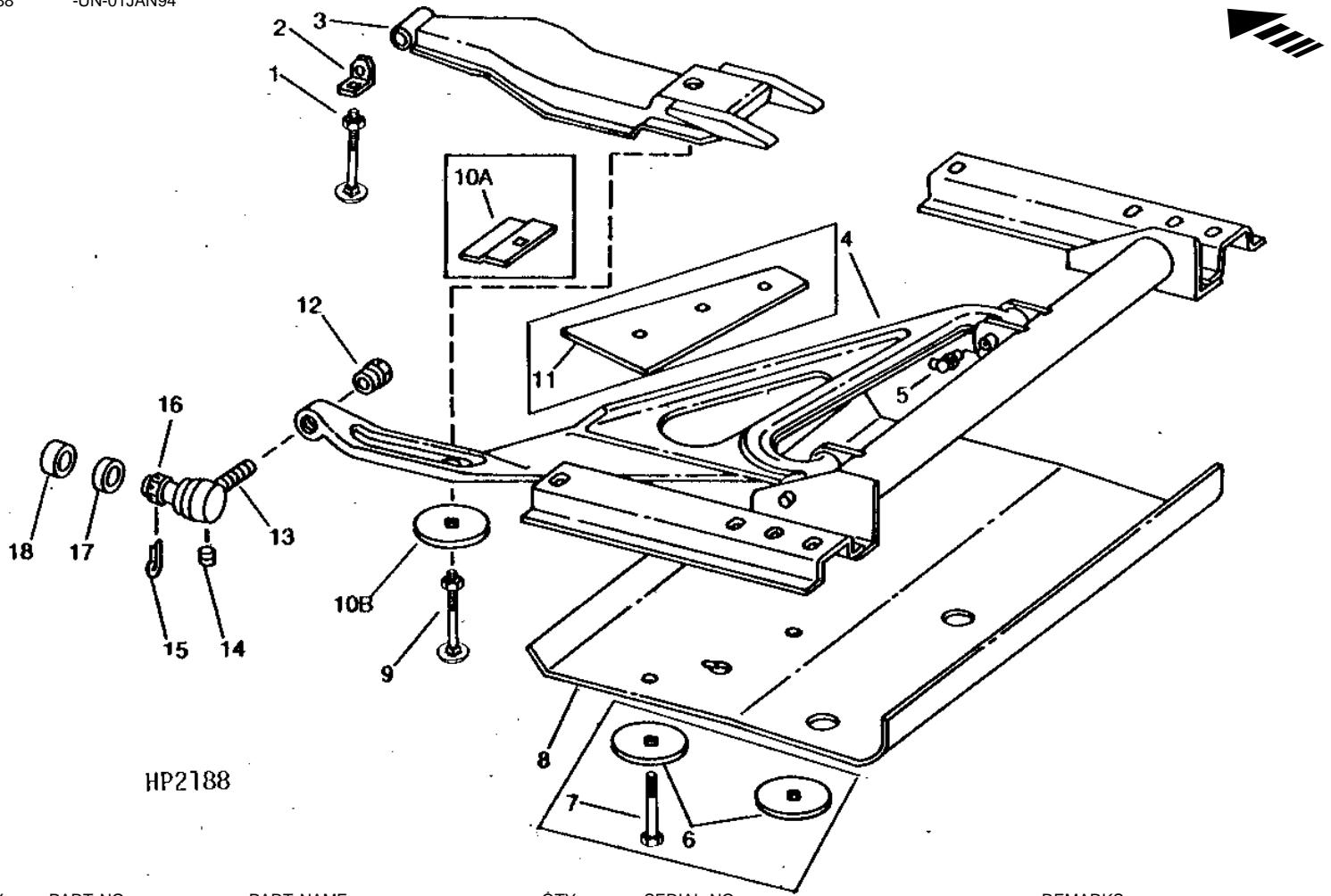
KEY	PART NO.	PART NAME	QTY	SERIAL NO.	REMARKS
1	AH80384	ISOLATOR	AR		
2	AH93819	SUPPORT	1		L.H. (213,-620389; 215,-620734; 216,-621124; 218, 218,-621147; 220,-622197; 222,-621470, 224,-621992) (SUB AH127983)
	AH127983	SUPPORT	1		L.H.
	AH108465	SUPPORT	1		R.H.
3	19H1731	CAP SCREW	10		3/8" X 1"
	12H304	LOCK WASHER	10		3/8"
4	AH89372	BRACKET	2		
5	H87976	PLATE	2		(SUB H149739)
6	C3142E	SNAP RING	2		
7	AH109887	OUTRIGGER	1		L.H.
	AH109886	OUTRIGGER	1		R.H.
8	03H1500	BOLT	3		3/8" X 1"
	12H304	LOCK WASHER	3		3/8"
	14H812	NUT	3		3/8"
9	24H1682	WASHER	3		13/32" X 7/8" X 0.120"
10	H112762	ISOLATOR	4		
11	H114348	GUIDE	2		
12	H105784	COVER	1		R.H. (NOT USED WITH HYDRAULIC FORE/AFT)
	H105785	COVER	1		L.H. (NOT USED WITH HYDRAULIC FORE/AFT)
13	21H1016	SCREW	AR		1/4" X 1/2"
	N10217	LOCK NUT	AR		
14	AH126635	PARTITION	1		R.H. OUTRIGGER
	AH126636	PARTITION	1		L.H. OUTRIGGER
15	AH123814	CROP DIVIDER	1	-622200	R.H. (SUB FOR AH110441) (SUB AH128368)
	AH128368	CROP DIVIDER	1		R.H. (SUB FOR AH123814)
	AH123815	CROP DIVIDER	1	-622200	L.H. (SUB FOR AH110442) (SUB AH128369)
	AH128369	CROP DIVIDER	1		L.H. (SUB FOR AH123815)
16	19H2602	CAP SCREW	2		5/8" X 2-5/8"
	12H294	LOCK WASHER	2		5/8"
	14H1039	NUT	2		5/8"
17	AH89390	SHOE	2		
18	19H3285	CAP SCREW	2		1/2" X 8-1/2"
19	24H1625	WASHER	2		17/32" X 1" X 0.120"
20	03H1519	BOLT	3		3/8" X 1"
	N10215	LOCK NUT	3		
21	AH89375	BRACKET	2		(SUB AH128365)
22	M899A	PLUG	1		
23	AH89419	SPRING ASSEMBLY	2		
24	03H1858	BOLT	2		5/8" X 3-1/2"
	12H294	LOCK WASHER	2		5/8"
	14H1039	NUT	2		5/8"
25	03H1765	BOLT	3		3/8" X 3/4"
	N10215	LOCK NUT	3		
26	19H2432	CAP SCREW	2		5/8" X 7-1/2"
	14H821	NUT	4		5/8"
27	AH108465	SUPPORT	1		R.H.
	AH93819	SUPPORT	1		L.H. (213,-620389; 215,-620734; 216,-621124; 218,-621147; 220,-622197; 222,-621470, 224,-621992) (SUB AH127983)
	AH127983	SUPPORT	1		L.H.
28	H88188	SCREW	AR		SELF-TAPPING
29	24H1378	WASHER	2		11/16" X 1-15/32" X 0.134"
30	19H1847	CAP SCREW	2		5/8" X 2-1/2"
	12H294	LOCK WASHER	2		5/8"
	14H1039	NUT	2		5/8"

G15

FRAME, SHEETS, DIVIDERS, SKID PLATES, AND HEADER HEIGHT CONTROL

STABILIZER (FLEXIBLE)

HP2188 -UN-01JAN94



HP2188

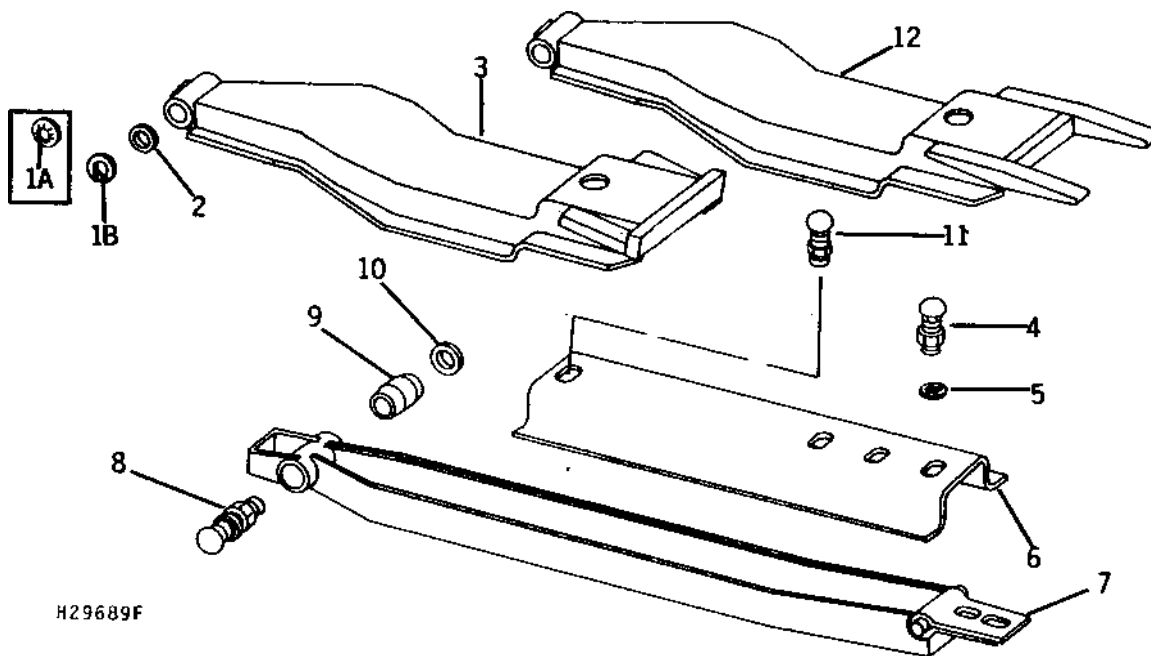
KEY	PART NO.	PART NAME	QTY	SERIAL NO.	REMARKS
1	03H1765	BOLT	1		3/8" X 3/4"
	N10215	LOCK NUT	1		
2	H89134	RETAINER	1		
3	AH92518	ARM	1		L.H.
4	AH90580	STABILIZER	1	-319446	(SUB AH97851)
	AH97851	STABILIZER	1	-365600	(SUB AH100321)
	AH100321	STABILIZER	1		L.H.
5	JD7759	LUBRICATION FITTING	2	-319446	STRAIGHT, 1/8"
	JD7797	LUBRICATION FITTING	2	319447-327818	STRAIGHT, 1/4"
	JD7781	LUBRICATION FITTING	2		90°, 1/8"
6	P48757	WASHER	2		(SUB FOR H94256) (SUB 24H1916)
	24H1305	WASHER	2		13/32" X 13/16" X 0.065"
7	19H1800	CAP SCREW	2	-365600	3/8" X 1-1/2"
	19H1731	CAP SCREW	2		3/8" X 1"
	12H304	LOCK WASHER	2		3/8"
8	H98954	SHIELD	1	-365600	(SUB H101278)
	H101278	SHIELD	1		
9	03H1565	BOLT	AR		3/8" X 3", (213-5;215 & 216-6;218-7;220-8)
	N10215	LOCK NUT	AR		(213-5; 215 & 216-6; 218-7; 880-8)
10A	H88224	CLIP	AR	-378683	(SUB H94256)
10B	P48757	WASHER	AR		(SUB FOR H94256) (SUB 24H1916) (213-5 USED; 215 AND 216-6 USED; 218-7 USED; 220, 222 AND 224-8 USED)
11	H98953	PLATE	1		
12	H89154	NUT	1		
13	AH60493	BALL JOINT	1		
14	S8953	SET SCREW	1	-431350	(USE JD7759 FOR LUBRICATION) (SUB 15H566)
	15H566	PIPE PLUG	1		1/8"
	JD7759	LUBRICATION FITTING	1		STRAIGHT, 1/8"
15	11H234	COTTER PIN	1		3/32" X 1"
16	14H926	NUT	1		1/2"
17	H33465	DUST SHIELD	1		(SEAL)
18	24H1662	WASHER	1		49/64" X 1-1/2" X 0.075"

G16

FRAME, SHEETS, DIVIDERS, SKID PLATES, AND HEADER HEIGHT CONTROL

STOP ARM, PUSH LINK, AND REINFORCEMENT (FLEXIBLE)

H29689F -UN-01JAN94



H29689F

KEY	PART NO.	PART NAME	QTY	SERIAL NO.	REMARKS
1A	H89136	RETAINER	AR	-267450	(213-4 USED; 215 AND 216-5 USED; 218-6 USED; 220-7 USED)
1B	P47288	SNAP RING	AR	267451-270525	(SUB R32507)
	R32507	SNAP RING	AR		(213-4 USED; 215 AND 216-5 USED; 218-6 USED; 220, 222 AND 224-7 USED)
2	24H1341	WASHER	AR		17/32" X 15/16" X 0.060", (213-4 USED; 215 AND 216-5 USED; 218-6 USED; 220, 222, AND 224-7 USED)
3	AH89302	ARM	AR	-588200	(213-4 USED; 215 AND 216-5 USED; 218-6 USED; 220-7 USED) (SUB AH92518)
	AH92518	ARM	AR		(213-3 USED; 215 AND 216-4 USED; 218-5 USED; 220, 222, AND 224-6 USED) (SUB FOR AH89302)
4	03H1746	BOLT	AR		1/2" X 1-1/4", (213-10 USED; 215 AND 216-12 USED; 218-14 USED; 220, 222, 224-16 USED)
	E54809	LOCK NUT	AR		(213-10 USED; 215 AND 216-12 USED; 218-14 USED; 220, 222, 224-16 USED)
5	H89623	NUT	AR	-535595	(SUB H113355)
	H113355	NUT	AR		(213-10 USED; 215 AND 216-12 USED; 218-14 USED; 220, 222, AND 224-16 USED)
6	H89141	REINFORCEMENT	AR	-530050	(213-2 USED; 215 AND 216-3 USED; 218-4 USED; 220, 222, AND 224-5 USED)
	H89141	REINFORCEMENT	AR	530051-	(213-2 USED; 215 AND 216-3 USED; 218-4 USED; 220, 222, 224-5 USED)
7	AH90582	LINK	AR		(213-2 USED; 215 AND 216-3 USED; 218-4 USED; 220, 222, AND 224-7 USED)
8	03H2073	BOLT	AR		5/8" X 2-3/4", (213-4 USED; 215 AND 216-5 USED; 218-6 USED; 220, 222, 224-7 USED)
	12H294	LOCK WASHER	AR		5/8", (213-4 USED; 215 AND 216-5 USED; 218-6 USED; 220, 222, 224-5 USED)
	14H1039	NUT	AR		5/8", (213-4 USED; 215 AND 216-5 USED; 218-6 USED; 220, 222, 224-7 USED)
9	AH80384	ISOLATOR	AR		(213-4 USED; 215 AND 216-5 USED; 218-6 USED; 220, 222, AND 224-7 USED)
10	24H1368	WASHER	AR		21/32" X 1-5/16" X 0.090", (213-4 USED; 215 AND 216-5 USED; 218-6 USED; 220, 222, 224-7 USED)
11	03H1731	BOLT	AR		1/2" X 1-1/2", (213-5 USED; 215 AND 216-6 USED; 218-7 USED; 220, 222, 224-8 USED)
	E54809	LOCK NUT	AR		(213-5 USED; 215 AND 216-6 USED; 218-7 USED; 220, 222, 224-8 USED)
12	AH92518	ARM	1	-588200	(213, 215, 216, 218, AND 220)
	AH92518	ARM	1	588201-	(213, 215, 216, 218, 220, 222, AND 224)

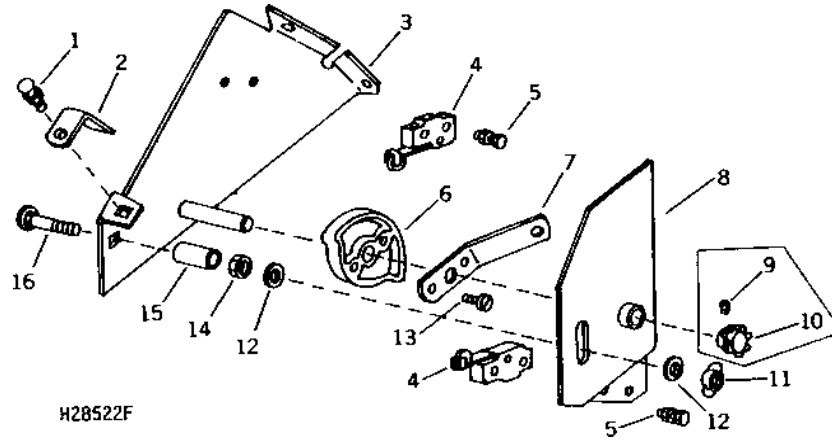
G17

FRAME, SHEETS, DIVIDERS, SKID PLATES, AND HEADER HEIGHT CONTROL

SENSING SWITCHES, AUTOMATIC HEADER HEIGHT CONTROL, AND MOUNTING
(FLEXIBLE)

(SERIAL NO. -530050)

H28522F -UN-01JAN94



KEY	PART NO.	PART NAME	QTY	SERIAL NO.	REMARKS
1	03H1893	BOLT	1		1/4" X 1/2"
	14H786	NUT	1		1/4"
2	H92138	SPRING	1		
3	AH90811	BRACKET	1		
4	AH62345	SWITCH	2		
5	21H1348	SCREW	4		0.138" X 1-1/8"
	12H314	LOCK WASHER	4		0.138"
	14H1026	NUT	4		0.138"
6	H88336	ACTUATOR	1		
7	H89553	ARM	1		
8	AH90812	BRACKET	1		OUTER
9	22H897	SET SCREW	1	-267450	1/4" X 1/4"
10	H89554	KNOB	1	-267450	(NO LONGER AVAILABLE)
11	14H819	WING NUT	1		5/16"
12	24H1293	WASHER	2		11/32" X 1-1/16" X 0.120"
13	37H73	SCREW	2		NO. 8 X 1/2"
14	14H611	NUT	1		5/16"
15	28H1914	BUSHING	1		1/4" X 7/8"
16	03H2280	BOLT	1		5/16" X 2"

G18

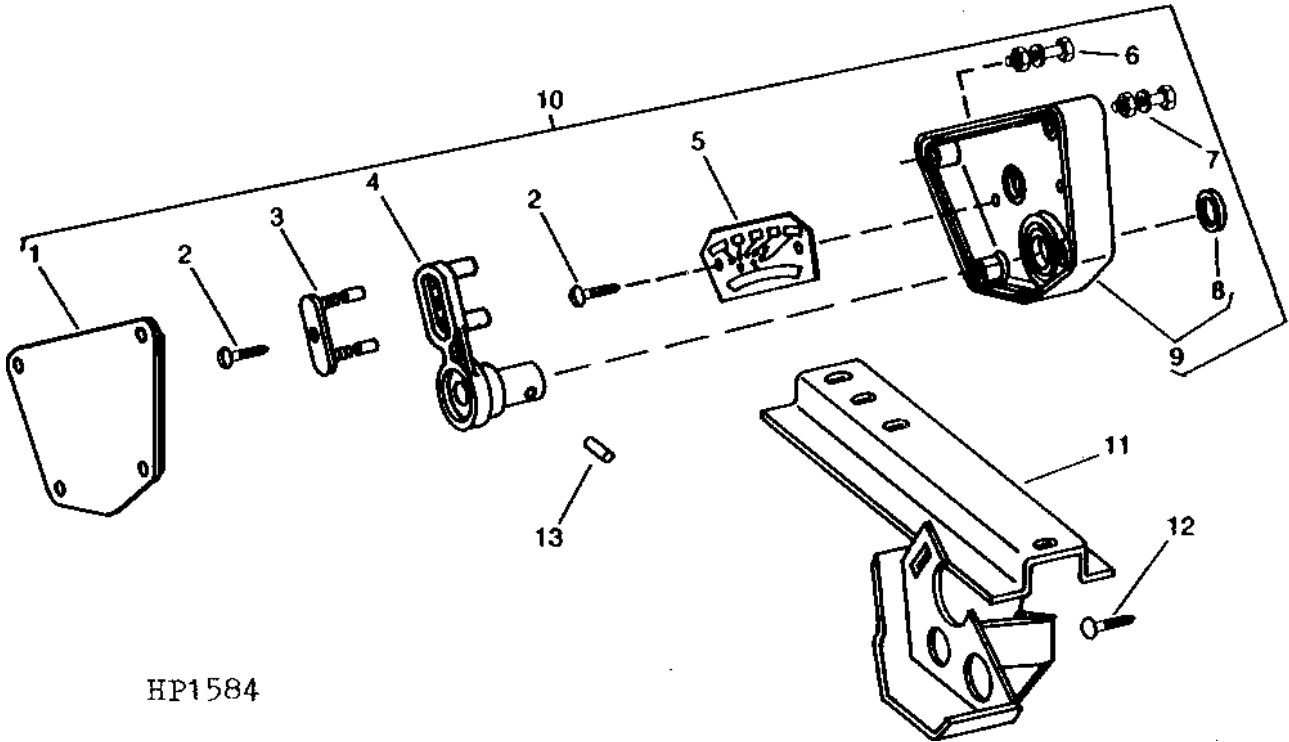
FRAME, SHEETS, DIVIDERS, SKID PLATES, AND HEADER HEIGHT CONTROL

SENSING BOX AND MOUNTING, DIAL-A-MATIC HEADER HEIGHT CONTROL
(FLEXIBLE)

(SERIAL NO. 530051-)

HP1584

-UN-01JAN94



HP1584

KEY	PART NO.	PART NAME	QTY	SERIAL NO.	REMARKS
1	H108958	COVER	1		
2	37H6	SCREW	3		NO. 6 X 5/16"
3	AH103276	BRUSH	1		
4	H108959	ARM	1		
5	AH103526	CIRCUIT BOARD	1		
6	03H1815	BOLT	1		1/4" X 2-1/4"
	12H302	LOCK WASHER	1		1/4"
	14H786	NUT	1		1/4"
7	03H1813	BOLT	3		1/4" X 1-3/4"
	12H302	LOCK WASHER	3		1/4"
	14H786	NUT	3		1/4"
8	AA5607R	SEAL	1		
9	AH110870	HOUSING	1		
10	AH109390	CIRCUIT BOX	1		(COMPLETE)
11	AH108471	SUPPORT	1		
12	H88188	SCREW	1		SELF-TAPPING
13	34H312	SPRING PIN	1		1/4" X 1"
..	H116160	SEALANT	1		3 OZ. TUBE

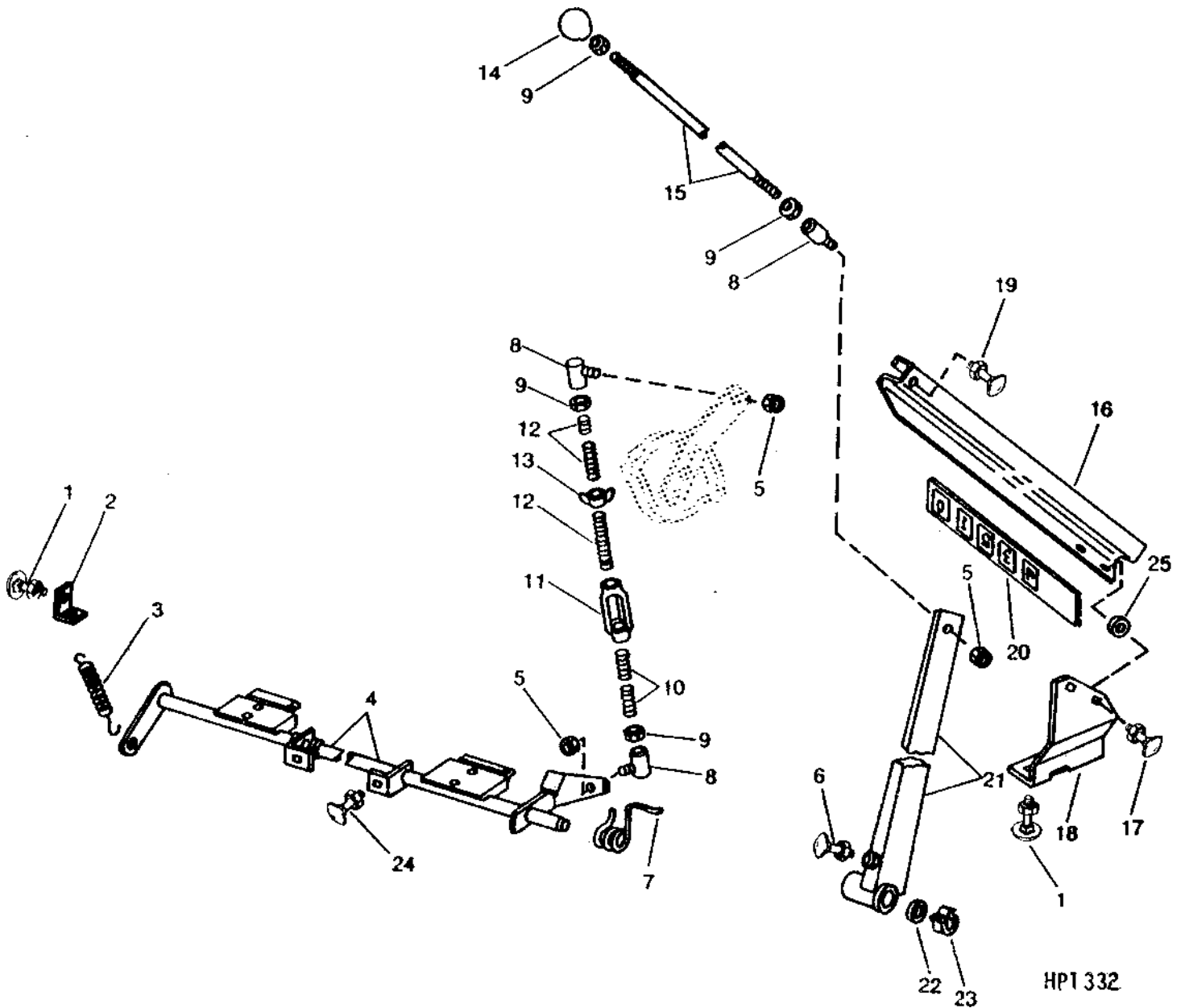
G19

FRAME, SHEETS, DIVIDERS, SKID PLATES, AND HEADER HEIGHT CONTROL

HEIGHT SENSING LINKAGE AND RANGE INDICATOR,
AUTOMATIC HEADER HEIGHT CONTROL (FLEXIBLE)
(SERIAL NO. -530050)

HP1332

-UN-01JAN94



G20

FRAME, SHEETS, DIVIDERS, SKID PLATES, AND HEADER HEIGHT CONTROL

HEIGHT SENSING LINKAGE AND RANGE INDICATOR,
AUTOMATIC HEADER HEIGHT CONTROL (FLEXIBLE) - CONTINUED
(SERIAL NO. -530050)

KEY	PART NO.	PART NAME	QTY	SERIAL NO.	REMARKS
1	03H1765	BOLT	3		3/8" X 3/4"
	N10215	LOCK NUT	3		
2	H34570	ANGLE	1		
3	R2577R	SPRING	1	-622200	(SUB H135672)
	H135672	EXTENSION SPRING	1		
4	AH90570	SHAFT	1	-317200	(213) (SUB AH96015)
	AH96015	SHAFT	1		(213)
	AH90571	SHAFT	1	-317200	(215) (SUB AH96016)
	AH96016	SHAFT	1		(215)
	AH90572	SHAFT	1	-317200	(216) (SUB AH96017)
	AH96017	SHAFT	1		(216)
	AH90573	SHAFT	1	-378683	(218) (SUB AH96018)
	AH96018	SHAFT	1		(218)
	AH90574	SHAFT	1	-317200	(220) (SUB AH96019)
	AH96019	SHAFT	1		(220)
	AH96020	SHAFT	1		(222)
	AH103285	SHAFT	1		(224) (SUB FOR AH96021)
5	14H846	NUT	3		3/8"
	12H304	LOCK WASHER	3		3/8"
6	19H3162	CAP SCREW	1	-317200	3/8" X 2"
	19H2116	CAP SCREW	1		3/8" X 2-1/2"
	14H732	NUT	1		3/8"
7	H91968	SPRING	1		
8	AH76556	BALL JOINT	3		
9	14H882	NUT	4		5/16"
10	H89556	STUD	1		L.H.
11	H35309	TURNBUCKLE	1		
12	H89555	STUD	1		R.H.
13	14H819	WING NUT	1		5/16"
14	H89561	KNOB	1		
15	H89560	STUD	1		R.H.
16	H91711	CONTAINER	1	-378683	(SUB H96906)
	H96906	CONTAINER	1		
17	03H1540	BOLT	2		5/16" X 3/4"
	N10213	LOCK NUT	2	-267450	
	12H303	LOCK WASHER	2	267451-	5/16"
	14H785	NUT	2	267451-	5/16"
18	H91712	BRACKET	1	-280186	(SUB H95778)
	H95778	BRACKET	1		
19	H79578	SCREW	1	-267450	SELF-TAPPING
	03H1791	BOLT	1	267451-	5/16" X 2-1/2"
	BP12232	LOCK NUT	1	267451-580985	(SUB M40699)
	M40699	NUT	1		
20	H89577	LABEL	1		RANGE INDICATOR
21	AH90813	ARM	1		
22	24H1365	WASHER	1		21/32" X 1" X 0.090"
23	AR21836	CLAMP	1		
24	03H1557	BOLT	AR		3/8" X 1-1/4"
	N10215	LOCK NUT	AR		
25	24H1224	WASHER	2	267451-	11/32" X 1" X 1/16"

G21

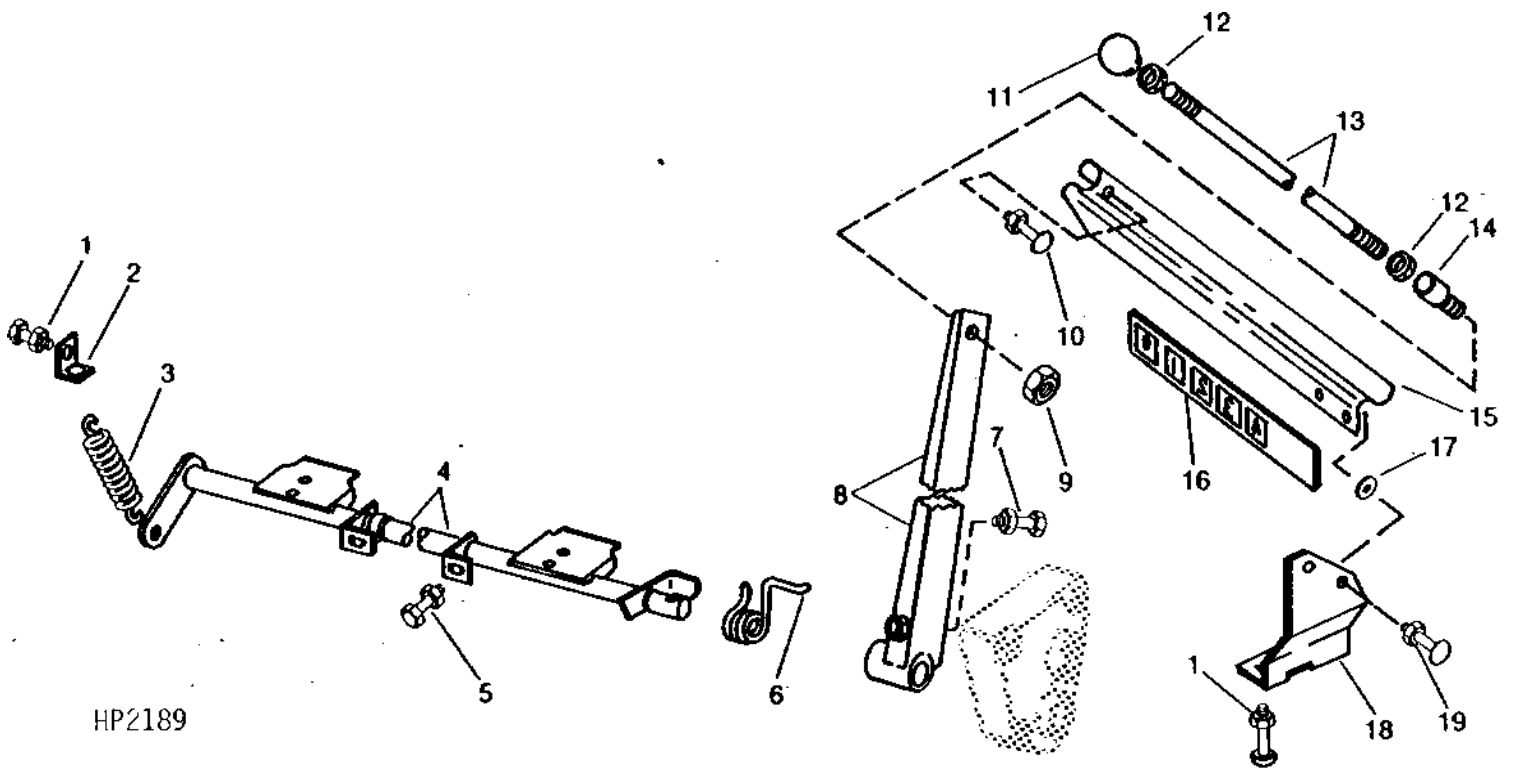
FRAME, SHEETS, DIVIDERS, SKID PLATES, AND HEADER HEIGHT CONTROL

HEIGHT SENSING RANGE INDICATOR, DIAL-A-MATIC HEADER HEIGHT CONTROL
(FLEXIBLE)

(SERIAL NO. 530051-)

HP2189

-UN-01JAN94



HP2189

G22

FRAME, SHEETS, DIVIDERS, SKID PLATES, AND HEADER HEIGHT CONTROL

HEIGHT SENSING RANGE INDICATOR, DIAL-A-MATIC HEADER HEIGHT CONTROL - CONTINUED
(FLEXIBLE)
(SERIAL NO. 530051-)

KEY	PART NO.	PART NAME	QTY	SERIAL NO.	REMARKS
1	03H1765	BOLT	3		3/8" X 3/4"
	N10215	LOCK NUT	3		
2	H34570	ANGLE	1		
3	R2577R	SPRING	1	-622200	(SUB H135672)
	H135672	EXTENSION SPRING	1		
4	AH103279	SHAFT	1		(213)
	AH103280	SHAFT	1		(215)
	AH103281	SHAFT	1		(216)
	AH103282	SHAFT	1		(218) (SUB AH132555)
	AH103283	SHAFT	1		(220) (SUB AH132556)
	AH103284	SHAFT	1		(222)
	AH103285	SHAFT	1		(224)
5	03H1557	BOLT	AR		3/8" X 1-1/4", (213-4 USED; 215 AND 216-5 USED; 218-6 USED; 220, 222, AND 224-7 USED)
	N10215	LOCK NUT	AR		
6	H109929	SPRING	1		
7	22H91	SET SCREW	1		3/8" X 1-1/2"
	14H732	NUT	1		3/8"
8	AH108466	ARM	1		
9	14H846	NUT	1		3/8"
	12H304	LOCK WASHER	1		3/8"
10	03H1791	BOLT	1		5/16" X 2-1/2"
	BP12232	LOCK NUT	1	-580985	(SUB M40699)
	M40699	NUT	1		
11	H89561	KNOB	1		
12	14H882	NUT	2		5/16"
13	H89560	STUD	1		R.H.
14	AH76556	BALL JOINT	1		
15	H96906	CONTAINER	1		
16	H89577	LABEL	1		RANGE INDICATOR
17	24H1224	WASHER	2		11/32" X 1" X 1/16"
18	H95778	BRACKET	1		
19	03H1540	BOLT	2		5/16" X 3/4"
	12H303	LOCK WASHER	2		5/16"
	14H785	NUT	2		5/16"

G23

FRAME, SHEETS, DIVIDERS, SKID PLATES, AND HEADER HEIGHT CONTROL

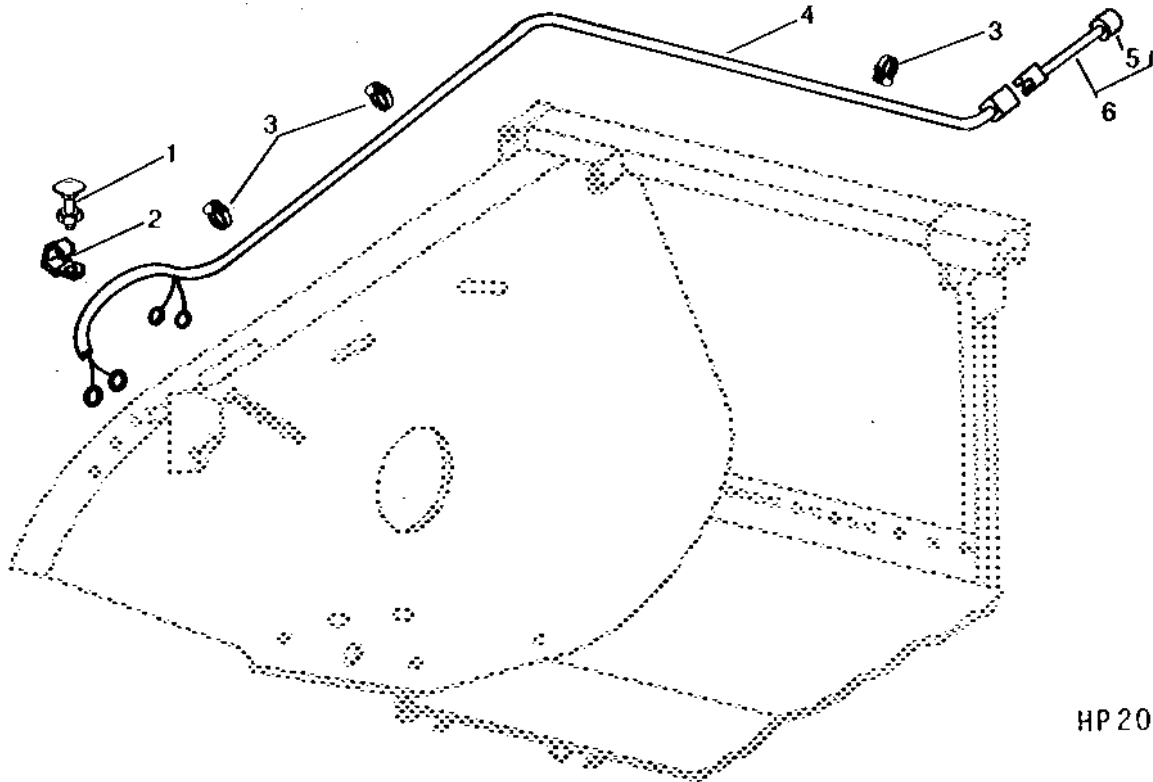
WIRING HARNESS-AUTOMATIC HEADER HEIGHT CONTROL

(FLEXIBLE)

(SERIAL NO. -530050)

HP2032

-UN-01JAN94



HP2032

KEY	PART NO.	PART NAME	QTY	SERIAL NO.	REMARKS
1	03H1495	BOLT	1	3/8" X 1-1/2"	
	N10215	LOCK NUT	1		
2	AH89557	CLIP	1		
3	M66044	TIE BAND	9		
4	AH89578	WIRING HARNESS	1	(213, 215, 216, 218, AND 220)	
	AH91005	WIRING HARNESS	1	(222 AND 224)	
	R48887	TAB CONNECTOR BODY	1		
5	H118422	ELECTRICAL PLUG	1	(9 HOLES)	
	R77465	SOCKET CONTACT	1	(PKG. OF 50)	
6	AH111348	WIRING HARNESS	1	(ADAPTER HARNESS) (USE WITH SEPARATORS EQUIPPED WITH DIAL-A-MATIC HEADER HEIGHT CONTROL)	

G24

FRAME, SHEETS, DIVIDERS, SKID PLATES, AND HEADER HEIGHT CONTROL

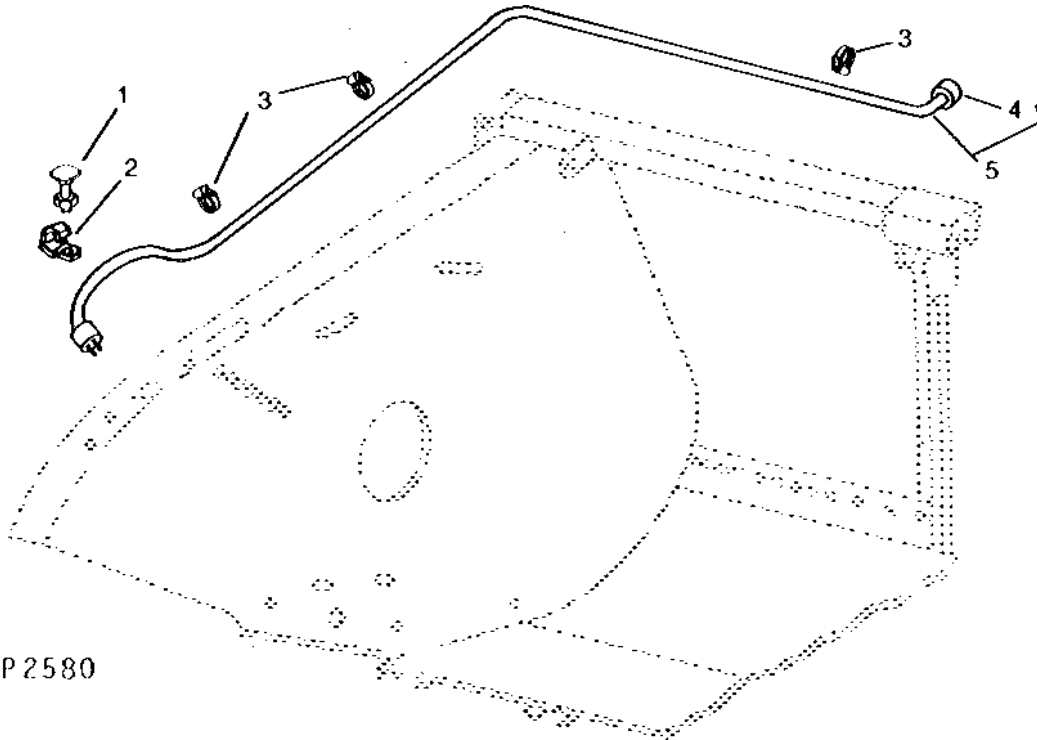
WIRING HARNESS, DIAL-A-MATIC HEADER HEIGHT CONTROL

(FLEXIBLE)

(SERIAL NO. 530051-)

HP2580

-UN-01JAN94



HP 2580

KEY	PART NO.	PART NAME	QTY	SERIAL NO.	REMARKS
1	03H1495	BOLT	1		3/8" X 1-1/2"
	N10215	LOCK NUT	1		
2	AH89557	CLIP	1		
3	M66044	TIE BAND	9		
4	H118422	ELECTRICAL PLUG	1		(9 HOLES)
5	AH108432	WIRING HARNESS	1		(213, 215 AND 216)
	AH108431	WIRING HARNESS	1		(218, 220, 222 AND 224)

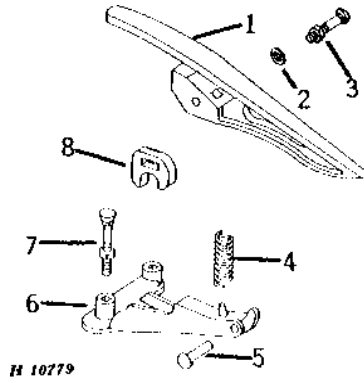
FRAME, SHEETS, DIVIDERS, SKID PLATES, AND HEADER HEIGHT CONTROL
MEMORANDA

H2

KNIFE, CUTTERBAR, AND DRIVE

H10779 -UN-01JAN94

LIFTING GUARDS



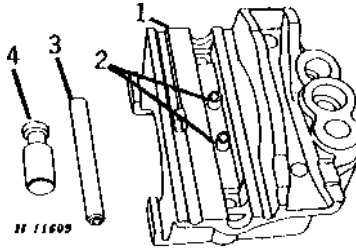
KEY	PART NO.	PART NAME	QTY	SERIAL NO.	REMARKS
1	PK169H	GUARD	1		
2	24H1219	WASHER	1	7/16" X 1" X 0.083"	
3	03H1519	BOLT	1	3/8" X 1"	
	14H812	NUT	1	3/8"	
4	P35017	SPRING	1		
5	16H1134	RIVET	1	5/16" X 1-1/2"	
6	H11358	ARM	1		
7	03H2097	BOLT	2	3/8" X 2-1/2"	
	P40984	NUT	2		
8	PK177H	GUARD	1		
..	AH20450	CROP LIFTER	1		

H3

KNIFE, CUTTERBAR, AND DRIVE

H11609 -UN-01JAN94

GUARD AND KNIFE REPAIR BLOCK

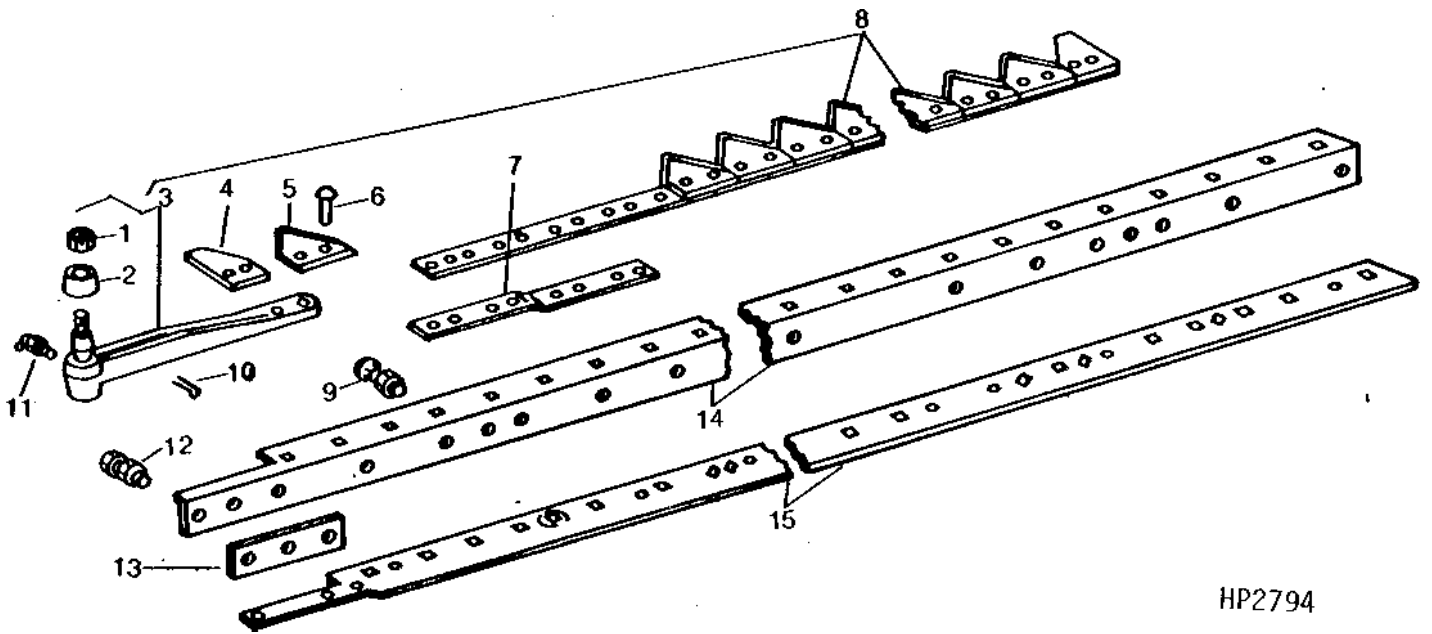


KEY	PART NO.	PART NAME	QTY	SERIAL NO.	REMARKS
1	AP17210	HOLDER	1		
2	Z6761H	POST	2		(SUB AH137781)
3	Z6762H	KIT	1		(SUB AH137781)
4	P36868	PIN	1		

MEMORANDA

H4

RIVETED KNIFE AND MOUNTINGS (RIGID AND FLEXIBLE)



HP2794

H5

KNIFE, CUTTERBAR, AND DRIVE

RIVETED KNIFE AND MOUNTINGS - CONTINUED (RIGID AND FLEXIBLE)

KEY	PART NO.	PART NAME	QTY	SERIAL NO.	REMARKS
1	14H918	NUT	1		5/8"
2	H87043	COVER	1		
3	AH89498	KNIFEHEAD	1		
4	H81499	SECTION	1		HALF (CHROME)
5	H130478	SECTION	AR		(CHROME)(48 USED,213,620301-; 56 USED,215,620451-; 60 USED,216,620651-; 66 USED,218,620951-; 74 USED,220,621251-; 82 USED,222,621451-; 90 USED,224,621601-; 114 USED,230,621751) (SUB FOR H84413 AND H84415)
6	H62350	RIVET	AR		13/64" X 15/16", (KNIFE HEAD)
	AH116873	RIVET	1		(CTN. OF (100) Z8859H) (SUB FOR Z8859H, THIS APPLICATION) KNIFE HEAD
	Z8860H	RIVET	AR		13/64" X 1-1/8", (KNIFE HEAD)
	AH116874	RIVET	1		(CTN. OF (100) Z8946H) (SUB FOR AH84096, THIS APPLICATION)
	H30175	RIVET	AR		13/64" X 9/16", (FOR CHROMED SECTIONS) (SUB FOR AH17776)
7	H88225	REINFORCEMENT	1		(218, 220, 222, 224, & 230 RIGID)
8	AH125750	KNIFE	1	620301-	(213)(CHROMED SECTIONS) (SUB FOR AH88824 AND AH88844)
	AH125751	KNIFE	1	620451-	(215)(CHROMED SECTIONS) (SUB FOR AH88821 AND AH88845)
	AH125752	KNIFE	1	620651-	(216)(CHROMED SECTIONS) (SUB FOR AH88825 AND AH88846)
	AH125753	KNIFE	1	620951-	(218)(CHROMED SECTIONS) (SUB FOR AH88841 AND AH88847)
	AH125754	KNIFE	1	621251-	(220)(CHROMED SECTIONS) (SUB FOR AH88820 AND AH88848)
	AH125755	KNIFE	1	621451-	(222)(CHROMED SECTIONS) (SUB FOR AH88842 AND AH88849)
	AH125756	KNIFE	1	621601-	(224)(CHROMED SECTIONS) (SUB FOR AH88826 AND AH88850)
	AH125757	KNIFE	1	621751-	(230)(CHROMED SECTIONS) (SUB FOR AH96783 AND AH96784)
9	03H1495	BOLT	AR		3/8" X 1-1/2", (RIGID)
	03H1500	BOLT	AR		3/8" X 1"
	N10215	LOCK NUT	AR		
10	11H237	COTTER PIN	1		1/8" X 2"
11	JD7781	LUBRICATION FITTING	1		90 °, 1/8"
12	03H1468	BOLT	3	-530050	3/8" X 1-3/4", (RIGID)
	12H304	LOCK WASHER	3	-530050	3/8"
	14H812	NUT	3	-530050	3/8"
	19H1800	CAP SCREW	AR	530051-	3/8" X 1-1/2", (213, 215, AND 216-3 USED; 218, 220, 222, 224, AND 230-5 USED) (RIGID)
	12H304	LOCK WASHER	AR	530051-	3/8"
13	H94796	SHIM	1		(SUB FOR H87359) (RIGID)
14	H94540	ANGLE	1		(SUB FOR H87510) (213 RIGID)
	H87534	ANGLE	1		(215 RIGID)
	H87512	ANGLE	1		(216 RIGID)
	H87536	ANGLE	1		(218 RIGID)
	H87514	ANGLE	1		(220 RIGID)
	H94541	ANGLE	1		(SUB FOR H87538) (222 RIGID)
	H94542	ANGLE	1		(SUB FOR H87516) (224 RIGID)
	H94543	ANGLE	1		(230 RIGID)
15	H106252	BAR	1		(213 FLEXIBLE) (USE WITH (2) 24H1308) (SUB FOR H87711 AND H97495)
	H106253	BAR	1		(215 FLEXIBLE) (USE WITH (2) 24H1308) (SUB FOR H87729 AND H97496)
	H106254	BAR	1		(216 FLEXIBLE) (USE WITH (2) 24H1308) (SUB FOR H87730 AND H97497)
	H106255	BAR	1		(218 FLEXIBLE) (USE WITH (2) 24H1308) (SUB FOR H87731 AND H97498)
	H106256	BAR	1		(220 FLEXIBLE) (USE WITH (2) 24H1308) (SUB FOR H87732 AND H97499)
	H106257	BAR	1		(222 FLEXIBLE) (USE WITH (2) 24H1308) (SUB FOR H97500)
	H106258	BAR	1		(224 FLEXIBLE) (USE WITH (2) 24H1308) (SUB FOR H97501)

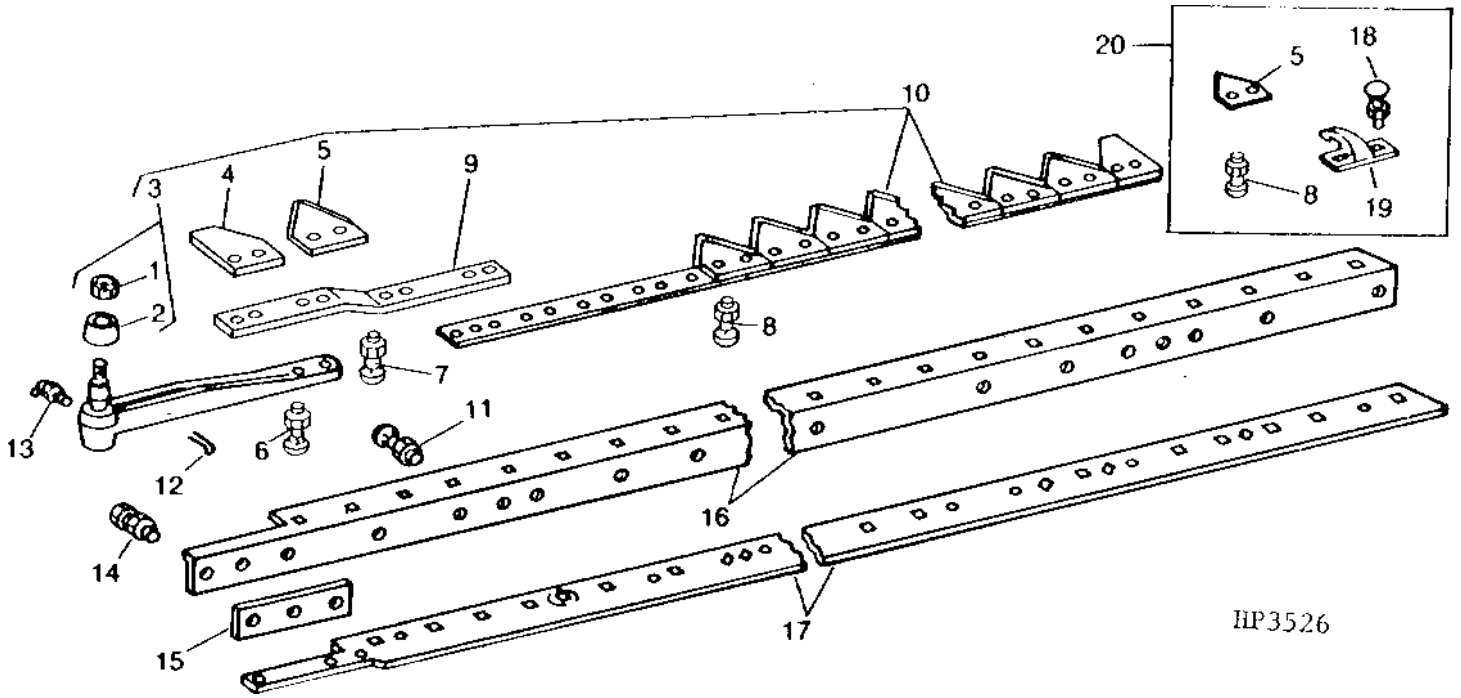
H6

KNIFE, CUTTERBAR, AND DRIVE

HP3526

-UN-01JAN94

BOLTED KNIFE AND MOUNTINGS (RIGID AND FLEXIBLE)



HP3526

H7

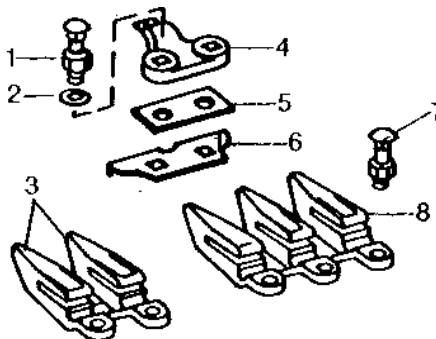
KNIFE, CUTTERBAR, AND DRIVE

BOLTED KNIFE AND MOUNTINGS (RIGID AND FLEXIBLE) - CONTINUED

KEY	PART NO.	PART NAME	QTY	SERIAL NO.	REMARKS
1	14H918	NUT	1	5/8"	
2	H87043	COVER	1		
3	AH121075	KNIFEHEAD	1		
4	H125894	SECTION	2		HALF (CHROME)
5	H125893	SECTION	AR		(50 USED,213; 58 USED,215; 62 USED,216; 70 USED,218; 78 USED,220; 86 USED,222; 94 USED,224; 118 USED,230)
6	H125893	SECTION	55		REPAIR KIT
	H125889	SCREW	AR		24 MM LENGTH (RIB NECK) (213,215,216-3 USED; 218,220,222,224,230- 7 USED)
7	H125892	NUT	AR		
	H125890	SCREW	AR		18 MM LENGTH (RIB NECK) (213,215,216-4 USED; 218,220,222,224,230- 10 USED)
8	H125892	NUT	AR		
	H125891	SCREW	AR		14 MM LENGTH (RIB NECK) (213-97 USED; 215-113 USED; 216-121 USED; 218-127 USED; 220-143 USED; 222-159 USED; 224-175 USED; 230-223 USED)
	H125892	NUT	AR		
	H125891	SCREW	55		14 MM LENGTH (RIB NECK) REPAIR KIT
	H125892	NUT	55		REPAIR KIT
9	H128235	REINFORCEMENT	1		(218, 220, 222, 224, & 230 RIGID)
10	AH121076	KNIFE	1		(213)
	AH128720	KNIFE	1		(215)
	AH128721	KNIFE	1		(216)
	AH121079	KNIFE	1		(218)
	AH121081	KNIFE	1		(220)
	AH121083	KNIFE	1		(222)
	AH121085	KNIFE	1		(224)
	AH121087	KNIFE	1		(230)
11	03H1495	BOLT	AR		3/8" X 1-1/2", (RIGID)
	03H1500	BOLT	AR		3/8" X 1"
12	11H237	COTTER PIN	1		1/8" X 2"
13	JD7781	LUBRICATION FITTING	1		90°, 1/8"
14	19H1800	CAP SCREW	AR		3/8" X 1-1/2", (213, 215, AND 216-3 USED; 218, 220, 222, 224, AND 230-5 USED)
	12H304	LOCK WASHER	AR		3/8"
15	H87359	SHIM	1		(SUB H94796)
	H94796	SHIM	1		(RIGID)
16	H94540	ANGLE	1		(213 RIGID)
	H87534	ANGLE	1		(215 RIGID)
	H87512	ANGLE	1		(216 RIGID)
	H87536	ANGLE	1		(218 RIGID)
	H87514	ANGLE	1		(220 RIGID)
	H94541	ANGLE	1		(222 RIGID)
	H94542	ANGLE	1		(224 RIGID)
	H94543	ANGLE	1		(230 RIGID)
17	H106252	BAR	1		(13 FLEX)
	H106253	BAR	1		(15 FLEX)
	H106254	BAR	1		(16 FLEX)
	H106255	BAR	1		(18 FLEX)
	H106256	BAR	1		(20 FLEX)
	H106257	BAR	1		(22 FLEX)
	H106258	BAR	1		(24 FLEX)
18	03H1495	BOLT	12		3/8" X 1-1/2", REPAIR KIT
	E55662	FLANGE NUT	12		9.525 MM (3/8") REPAIR KIT
19	H127801	CLIP	6		REPAIR KIT
20	AH132904	SECTION	1		REPAIR KIT, BOLT-ON SECTIONS, 6 FT.

H8

GUARDS AND WEAR PLATES (RIGID AND FLEXIBLE)



HP2327

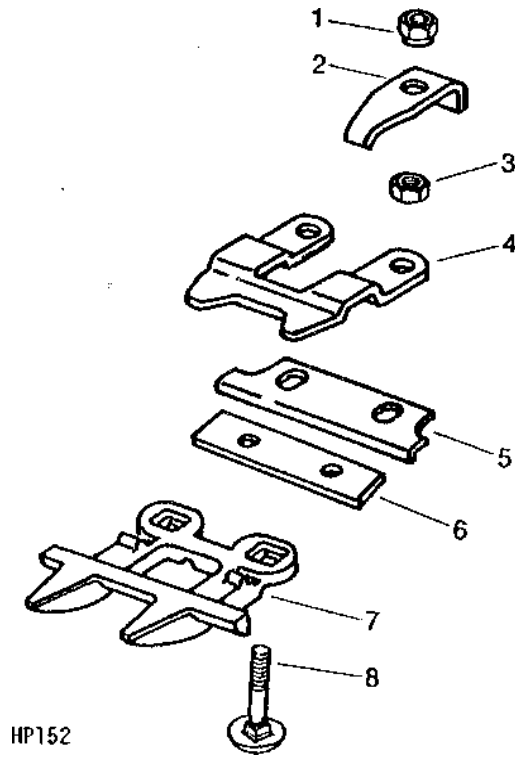
KEY	PART NO.	PART NAME	QTY	SERIAL NO.	REMARKS
1	19H2541	CAP SCREW	2	-328660	3/8" X 1-3/4", (218, 220, 222 AND 224) (USE WITH H95175)
	19H1765	CAP SCREW	1	328661-	3/8" X 1-3/4", (218, 220, 222, 224 AND 230 RIGID) (USE WITH H95175)
	03H1924	BOLT	AR	-328660	3/8" X 1-1/2", (USE WITH H84412)
	03H1557	BOLT	AR	328661-620300	3/8" X 1-1/4", (RIVETED SECTIONS)
	03H1495	BOLT	AR	620301-	3/8" X 1-1/2", (BOLTED SECTIONS)
	12H304	LOCK WASHER	AR	-328660	3/8"
	14H846	NUT	AR	-328660	3/8"
2	E55662	FLANGE NUT	AR	328661-	
	24H1305	WASHER	2		13/32" X 13/16" X 0.065", (218, 220, 222, 224 AND 230) (USE WITH H95175)
3	H75386	KNIFE GUARD	24		(213)
	H113571	KNIFE GUARD	24		(213) (ROCKY CONDITIONS)
	H75386	KNIFE GUARD	28		(215)
	H113571	KNIFE GUARD	28		(215) (ROCKY CONDITIONS)
	H75386	KNIFE GUARD	30		(216)
	H113571	KNIFE GUARD	30		(216) (ROCKY CONDITIONS)
	H75386	KNIFE GUARD	34		(218)
	H113571	KNIFE GUARD	34		(218) (ROCKY CONDITIONS)
	H75386	KNIFE GUARD	38		(220)
	H113571	KNIFE GUARD	38		(220) (ROCKY CONDITIONS)
	H75386	KNIFE GUARD	AR		(222) (42 USED, RIGID; 39 USED, FLEX)
	H113571	KNIFE GUARD	AR		(222) (42 USED, RIGID; 39 USED, FLEX) (ROCKY CONDITIONS)
	H75386	KNIFE GUARD	46		(224)
	H113571	KNIFE GUARD	46		(224) (ROCKY CONDITIONS)
4	H75386	KNIFE GUARD	58		(230)
	H113571	KNIFE GUARD	58		(230) (ROCKY CONDITIONS)
	H84412	HOLD-DOWN CLIP	AR	-620300	(RIVETED SECTIONS)
	H127801	CLIP	AR	620301-	(BOLTED SECTIONS)
	H95175	HOLD-DOWN CLIP	1	-620300	L.H. (CAST) ((218, 220, 222, 224 AND 230) (RIVETED SECTIONS)
5	H129024	CLIP	1	620301-	L.H. (BOLTED SECTIONS) (CAST) (218, 220, 224 AND 230 AND ALL SECTIONALIZED KNIFE ASSEMBLIES - 213 THRU 230)
	Z7961H	STRAP	1		(CAST) (218, 220, 222, 224 AND 230) (USE WITH H95175)
6	H84414	CUTTERBAR WEAR PLATE	AR	-375526	(SUB H101200)
	H101200	CUTTERBAR WEAR PLATE	AR		
	E47954	CUTTERBAR WEAR PLATE	1		L.H.
7	03H2069	BOLT	AR	-328660	
	03H1495	BOLT	AR	328661-	
	12H304	LOCK WASHER	AR	-328660	3/8"
	14H846	NUT	AR	-328660	3/8"
	E55662	FLANGE NUT	AR	328661-	
8	H25603	KNIFE GUARD	1		R.H.

H9

KNIFE, CUTTERBAR, AND DRIVE

HP152 -UN-01JAN94

CUTTERBAR KNIFE GUARDS (NON-CLOG)



KEY	PART NO.	PART NAME	QTY	SERIAL NO.	REMARKS
1	K40006	LOCK NUT	AR		
	E55662	FLANGE NUT	AR		
2	E59005	CLIP	AR	REGULAR	
3	14H1047	NUT	AR	7/16"	
4	E59662	HOLDER	AR	REGULAR	
5	E47954	CUTTERBAR WEAR PLATE	AR		
6	H98768	STRAP	AR		
7	E59625	KNIFE GUARD	AR		
8	03H2306	BOLT	1	7/16" X 2-3/4"	
	03H1495	BOLT	AR	3/8" X 1-1/2"	

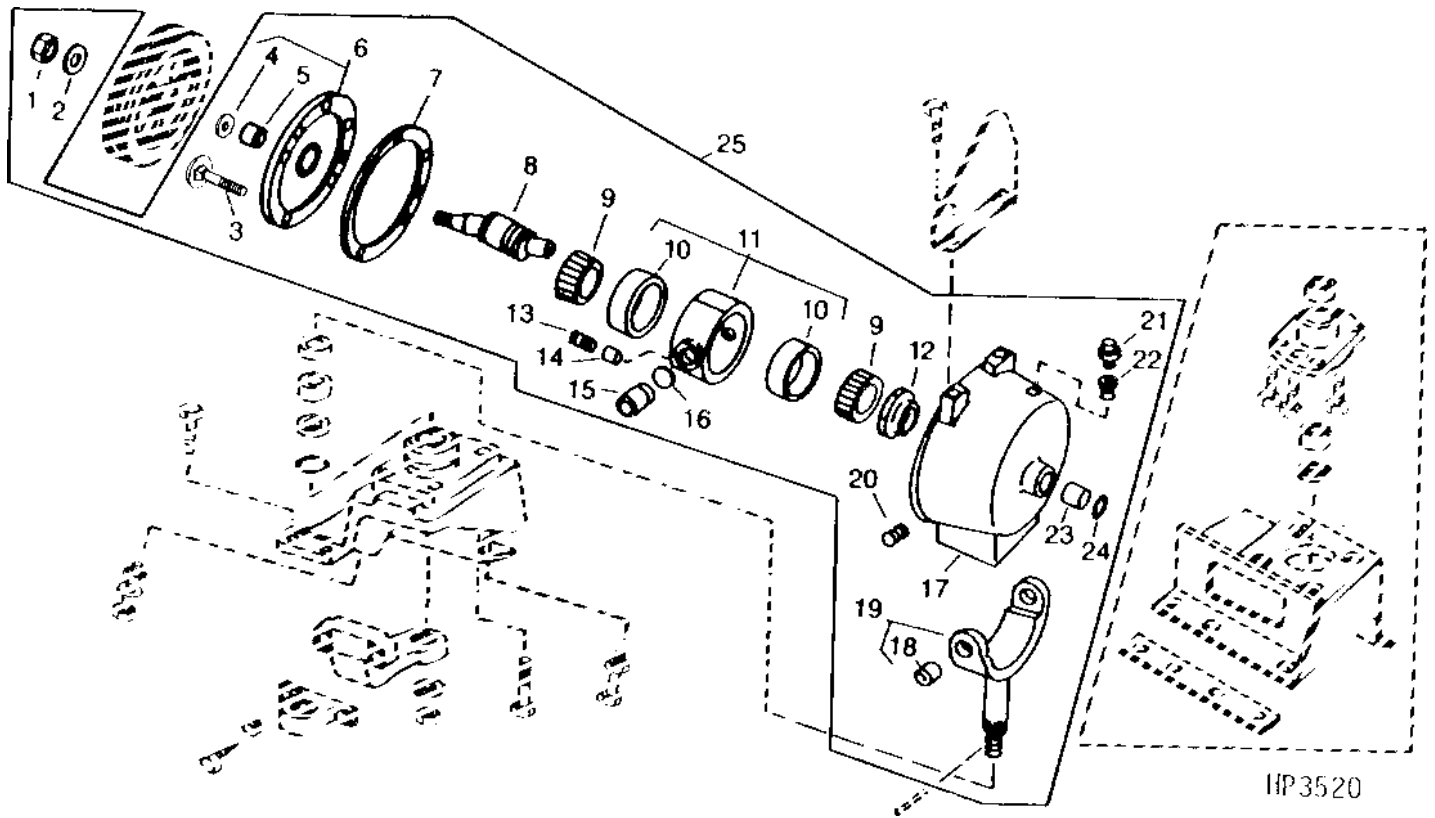
H10

KNIFE, CUTTERBAR, AND DRIVE

HP3520

-UN-01JAN94

KNIFE DRIVE CASE (RIGID AND FLEXIBLE)



H11

KNIFE, CUTTERBAR, AND DRIVE

KNIFE DRIVE CASE (RIGID AND FLEXIBLE) - CONTINUED

KEY	PART NO.	PART NAME	QTY	SERIAL NO.	REMARKS
1	E43336	LOCK NUT	1		
2	24H1398	WASHER	1	-223290	25/32" X 1-5/8" X 0.120"
	24H1399	WASHER	1	223291-	25/32" X 1-5/8" X 0.180"
3	19H3467	CAP SCREW	6	530051-	5/16" X 1"
4	AE28861	SEAL	1		(SUB AT21780)
5	JD8898	NEEDLE BEARING	1	-375526	
	AE38359	BEARING	1	375527-	
6	AE36610	COVER	1	-375526	(SUB FOR AE30600)
	AE38566	COVER	1	375527-	
7	TY15130	SEALANT	1		(SUB FOR PT94)
8	E60128	SHAFT	1	-318531	(SUB FOR E48174, THIS APPLICATION)
	E60129	SHAFT	1	318532-	
9	JD9017	BEARING CONE	2	-318531	
	JD9088	BEARING CONE	2	318532-	
10	JD8275	BEARING CUP	2	-318531	
	JD9144	BEARING CUP	2	318532-620101	
11	AE27185	HOUSING	1	-318531	
	AE34804	HOUSING	1	318532-620101	(SUB AE46307)
	AE46307	HOUSING	1		(WITH BRGS AND SPINDLES)
12	E59303	NUT	1		
13	E18630	SET SCREW	2	-318531	
14	22H897	SET SCREW	2	-318531	1/4" X 1/4"
15	E43168	SPINDLE	2	-318531	
	E56839	PIN	2	318532-620101	(SUB AE46307)
	SPINDLE	2		
16	E58026	DISK	2	318532-620101	(SUB AE46307)
	DISK	2		
17	AE35151	HOUSING	1		(SUB FOR AE33810)
18	JD9841	NEEDLE BEARING	2	-318531	
	E57837	BUSHING	2	318532-	
19	E40819	YOKE	1	-318531	
	E56837	YOKE	1	318532-322890	(SUB E61951)
	AE38050	YOKE	1		(SUB FOR E61951)
20	15H623	PIPE PLUG	2	-223290	3/8"
21	JD5801	PRESSURE RELIEF FITTING	1	-375526	
	AE38448	RELIEF VALVE	1	375527-	
22	15H511	PIPE BUSHING	1		3/8" X 1/8"
23	JD9977	NEEDLE BEARING	1		(SUB FOR JD9914 THIS APPLICATION)
24	AT10907	SEAL	1		(SUB AE47781)
25	AE36609	CASE	1	-530050	(SUB FOR AE33814)
	AE41481	DRIVE	1	530051-	

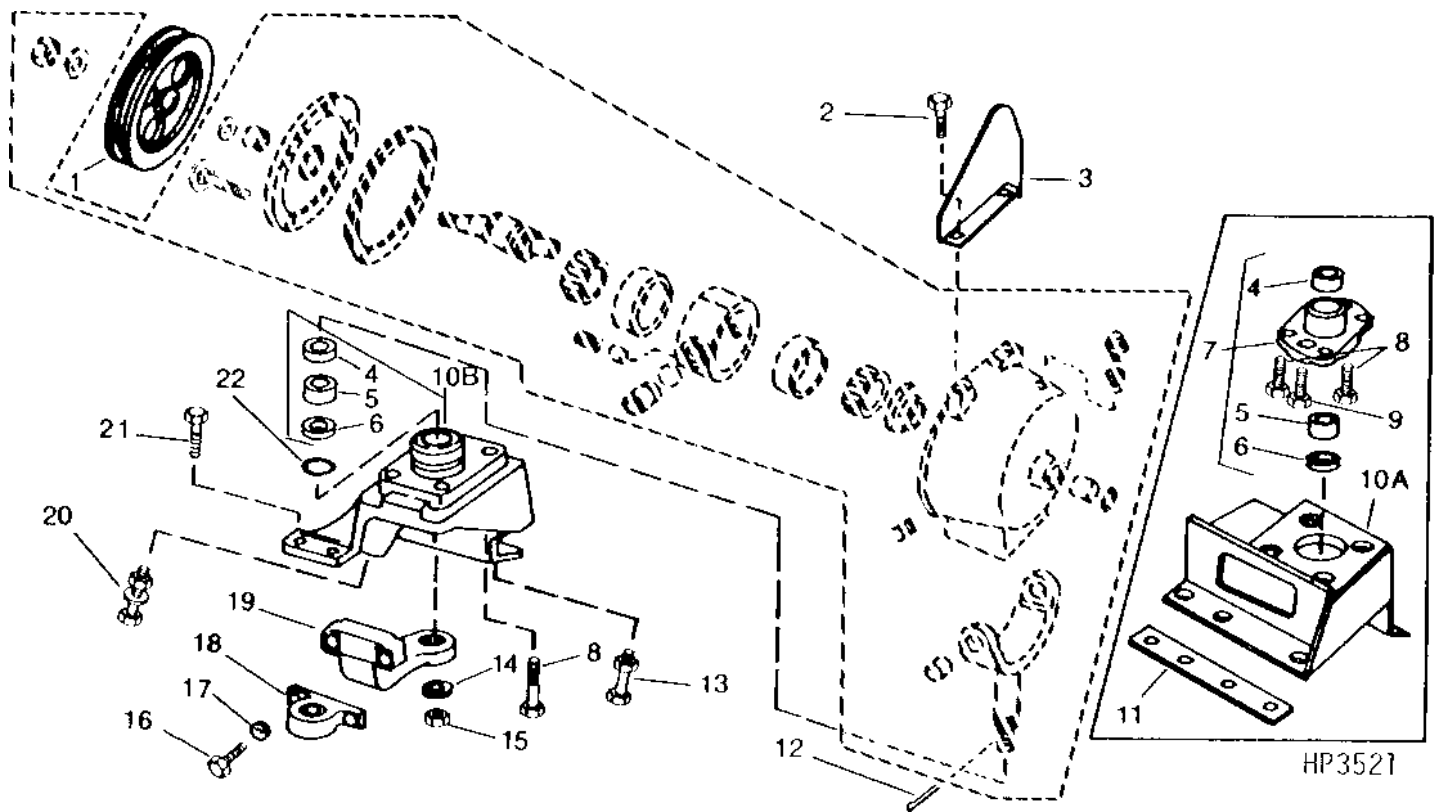
H12

KNIFE, CUTTERBAR, AND DRIVE

KNIFE DRIVE CASE BEARINGS AND SUPPORTS (RIGID AND FLEXIBLE)

HP3521

-UN-01JAN94



H13

KNIFE, CUTTERBAR, AND DRIVE

KNIFE DRIVE CASE BEARINGS AND SUPPORTS (RIGID AND FLEXIBLE) - CONTINUED

KEY	PART NO.	PART NAME	QTY	SERIAL NO.	REMARKS
1	E78705	SHEAVE	1		(SUB FOR E48349) DRIVEN, 279 MM (11") DIA.
2	19H1813	CAP SCREW	2		5/16" X 5/8", (RIGID)
	12H303	LOCK WASHER	2		5/16", (RIGID)
3	H88061	SHIELD	1		(RIGID)
4	JD8839	NEEDLE BEARING	1		INNER (213,-610350;215,-610500;216,-610700; 218,-611000;220,-611200;222,-611350;224, 611550;230,-611700)
	JD9861	NEEDLE BEARING	1		INNER (213,610351-;215,610501-;216,610701-; 218,611001-;220,611201-;222,611351-;224, 611551-;230,611701-)
5	JD9861	NEEDLE BEARING	1		OUTER
6	AE46661	SEAL	1		(SUB FOR AE28879)
7	AE35152	BEARING HOUSING W/O BEARING	1	-530050	(SUB FOR AE28563)
8	19H3343	CAP SCREW	4		5/8" X 2"
9	E46971	WHEEL BOLT	2	-223290	(WHEEL BOLT TYPE)
10A	AH88840	FRAME	1	-530050	(RIGID) (SUB AH102048, E52444, (5) 19H1800, (2) 03H1731, (2) 12H301 AND (2) 14H1040)
	AH89318	FRAME	1	-530050	(FLEXIBLE) (SUB AH102047, E52444, (2) 19H1792, (2) 19H1815, (3) 03H1746, (7) 12H301 AND (3) 14H1040)
10B	AH102048	SUPPORT	1		(RIGID)
	AH102047	SUPPORT	1		(FLEXIBLE)
11	H107984	STRAP	2	432499-	(FLEXIBLE)
12	11H237	COTTER PIN	1	-530050	1/8" X 2"
	11H218	COTTER PIN	1	530051-610350	3/16" X 1-1/2", (213)
	11M7032	COTTER PIN	1	610351-	5 X 50 MM, (213)
	11H218	COTTER PIN	1	-610500	3/16" X 1-1/2", (215)
	11M7032	COTTER PIN	1	610501-	5 X 50 MM, (215)
	11H218	COTTER PIN	1	-610700	3/16" X 1-1/2", (216)
	11M7032	COTTER PIN	1	610701-	5 X 50 MM, (216)
	11H218	COTTER PIN	1	-611200	3/16" X 1-1/2", (220)
	11M7032	COTTER PIN	1	611201-	5 X 50 MM, (220)
	11H218	COTTER PIN	1	-611350	3/16" X 1-1/2", (222)
	11M7032	COTTER PIN	1	611351-	5 X 50 MM, (222)
	11H218	COTTER PIN	1	-611550	3/16" X 1-1/2", (224)
	11M7032	COTTER PIN	1	611551-	5 X 50 MM, (224)
	11H218	COTTER PIN	1	-611700	3/16" X 1-1/2", (230)
	11M7032	COTTER PIN	1	611701-	5 X 50 MM, (230)
13	03H1500	BOLT	2	-530050	3/8" X 1", (RIGID)
	12H304	LOCK WASHER	2	-530050	3/8", (RIGID)
	14H812	NUT	2	-530050	3/8", (RIGID)
	03H1731	BOLT	2	530051-	1/2" X 1-1/2", (RIGID)
	12H301	LOCK WASHER	2	530051-	1/2", (RIGID)
	14H1040	NUT	2	530051-	1/2", (RIGID)
	19H1731	CAP SCREW	6	-530050	3/8" X 1", (FLEXIBLE)
	12H304	LOCK WASHER	6	-530050	3/8", (FLEXIBLE)
	14H812	NUT	6	-530050	3/8", (FLEXIBLE)
	03H1746	BOLT	3	530051-	1/2" X 1-1/4", (FLEXIBLE)
	12H301	LOCK WASHER	3	530051-	1/2", (FLEXIBLE)
	14H1040	NUT	3	530051-	1/2", (FLEXIBLE)
14	E58308	WASHER	1		
15	14H912	NUT	1		3/4"

THIS PARTS LISTING IS CONTINUED

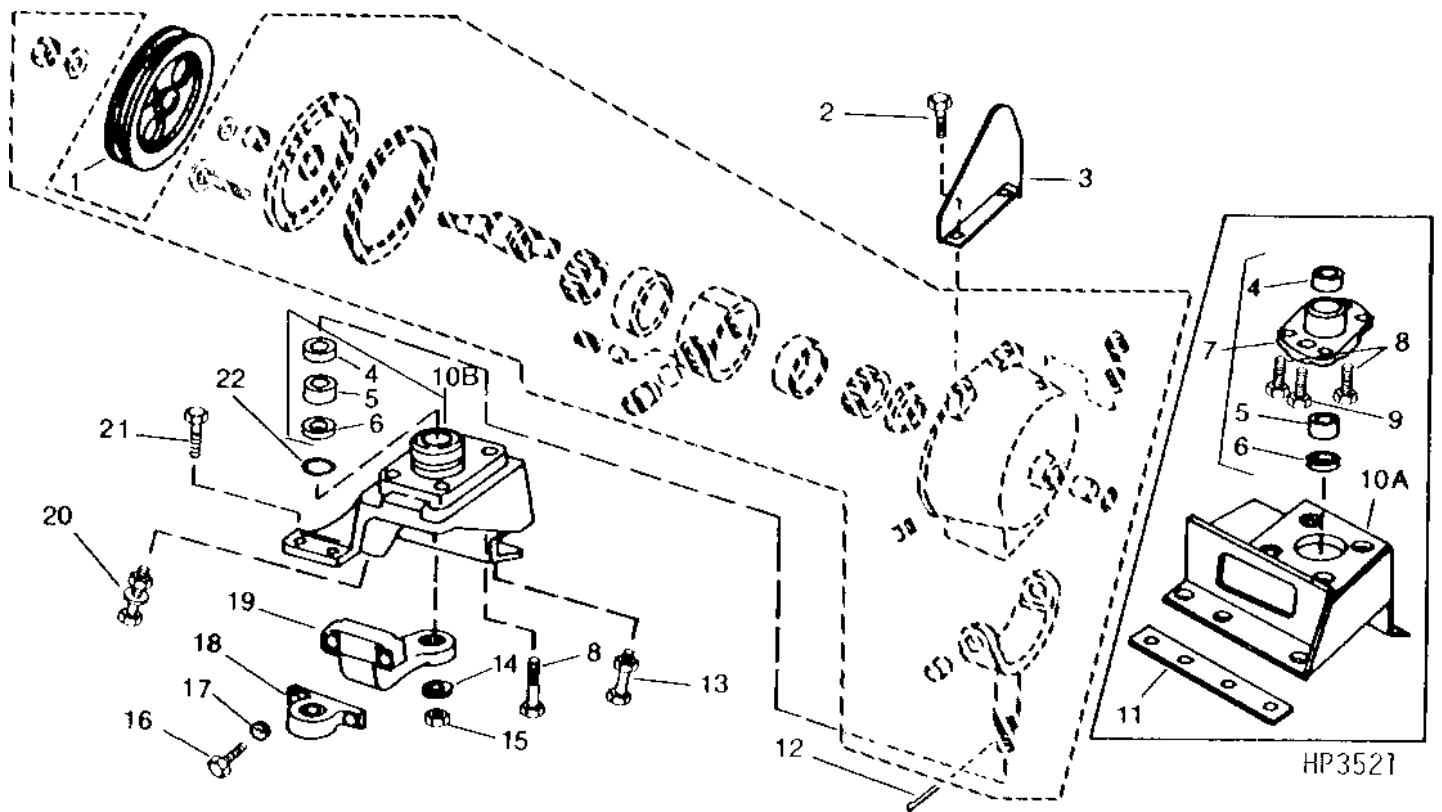
H14

KNIFE, CUTTERBAR, AND DRIVE

KNIFE DRIVE CASE BEARINGS AND SUPPORTS (RIGID AND FLEXIBLE) - CONTINUED

HP3521

-UN-01JAN94



H15

KNIFE, CUTTERBAR, AND DRIVE

KNIFE DRIVE CASE BEARINGS AND SUPPORTS (RIGID AND FLEXIBLE) - CONTINUED

KEY	PART NO.	PART NAME	QTY	SERIAL NO. OR YEAR	REMARKS
8	19H3343	CAP SCREW	4		5/8" X 2"
9	E46971	WHEEL BOLT	2	-223290	(WHEEL BOLT TYPE)
10A	AH88840	FRAME	1	-530050	(RIGID) (SUB AH102048, E52444, (5) 19H1800, (2) 03H1731, (2) 12H301 AND (2) 14H1040)
	AH89318	FRAME	1	-530050	(FLEXIBLE) (SUB AH102047, E52444, (2) 19H1792, (2) 19H1815, (3) 03H1746, (7) 12H301 AND (3) 14H1040)
10B	AH102048	SUPPORT	1		(RIGID)
	AH102047	SUPPORT	1		(FLEXIBLE)
11	H107984	STRAP	2	432499-	(FLEXIBLE)
12	11H237	COTTER PIN	1	-530050	1/8" X 2"
	11H218	COTTER PIN	1	530050-610350	3/16" X 1-1/2"
	11M7032	COTTER PIN	1	610351-	5 X 50 MM
13	03H1500	BOLT	2	-530050	3/8" X 1", (RIGID)
	12H304	LOCK WASHER	2	-530050	3/8", (RIGID)
	14H812	NUT	2	-530050	3/8", (RIGID)
	03H1731	BOLT	2	530051-	1/2" X 1-1/2", (RIGID)
	12H301	LOCK WASHER	2	530051-	1/2", (RIGID)
	14H1040	NUT	2	530051-	1/2", (RIGID)
	19H1731	CAP SCREW	6	-530050	3/8" X 1", (FLEXIBLE)
	12H304	LOCK WASHER	6	-530050	3/8", (FLEXIBLE)
	14H812	NUT	6	-530050	3/8", (FLEXIBLE)
	03H1746	BOLT	3	530051-	1/2" X 1-1/4", (FLEXIBLE)
	12H301	LOCK WASHER	3	530051-	1/2", (FLEXIBLE)
	14H1040	NUT	3	530051-	1/2", (FLEXIBLE)
14	E58308	WASHER	1		25/32" X 2" X 5/16"
15	14H912	NUT	1		3/4"
16	19H1777	CAP SCREW	2		1/2" X 1-3/4"
	12H301	LOCK WASHER	2		1/2"
17	24H1850	WASHER	2		17/32" X 1-1/4" X 0.180"
18	H98780	CLAMP	1		(SUB FOR H86917)
19	H86911	ARM	1	-530050	
	E52444	ARM	1	530051-	
20	03H1765	BOLT	3	-530050	3/8" X 3/4", (FLEXIBLE)
	N10215	LOCK NUT	3	-530050	
	19H1815	CAP SCREW	2	530051-	1/2" X 1-1/4", (FLEXIBLE)
	12H301	LOCK WASHER	2	530051-	1/2"
	14H1040	NUT	3	530051-	1/2"
21	19H1792	CAP SCREW	2	530051-	1/2" X 1", (FLEXIBLE)
	12H301	LOCK WASHER	2	530051-	1/2"
	03H1468	BOLT	3	-530050	3/8" X 1-3/4", (RIGID)
	12H304	LOCK WASHER	3	-530050	3/8"
	14H812	NUT	3	-530050	3/8"
	19H1800	CAP SCREW	AR	530051-	3/8" X 1-1/2", (213, 215, AND 216-3 USED; 218, 220, 222, 224, AND 230-5 USED) (RIGID)
	12H304	LOCK WASHER	AR	530051-	3/8"
22	T14065	O-RING	1		

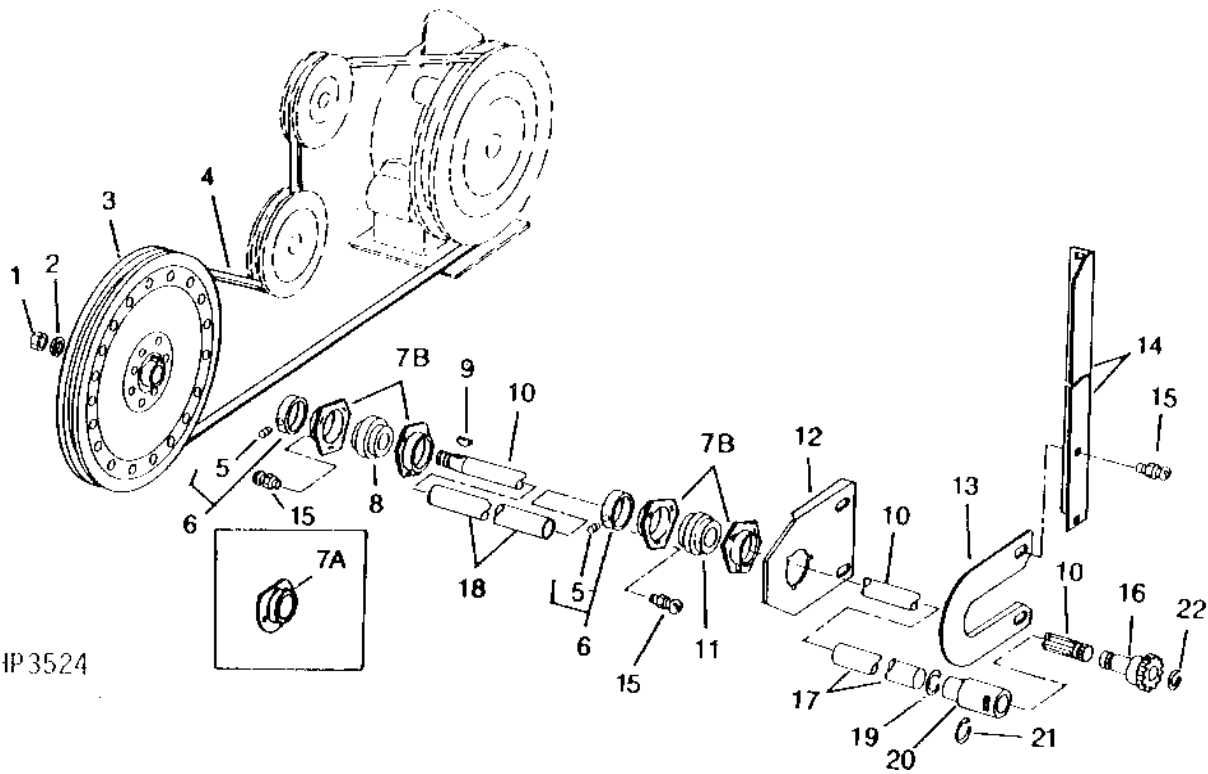
H16

KNIFE, CUTTERBAR, AND DRIVE

HP3524

-UN-01JAN94

CUTTERBAR DRIVE
(RIGID AND FLEXIBLE)



HP3524

H17

KNIFE, CUTTERBAR, AND DRIVE

CUTTERBAR DRIVE - CONTINUED (RIGID AND FLEXIBLE)

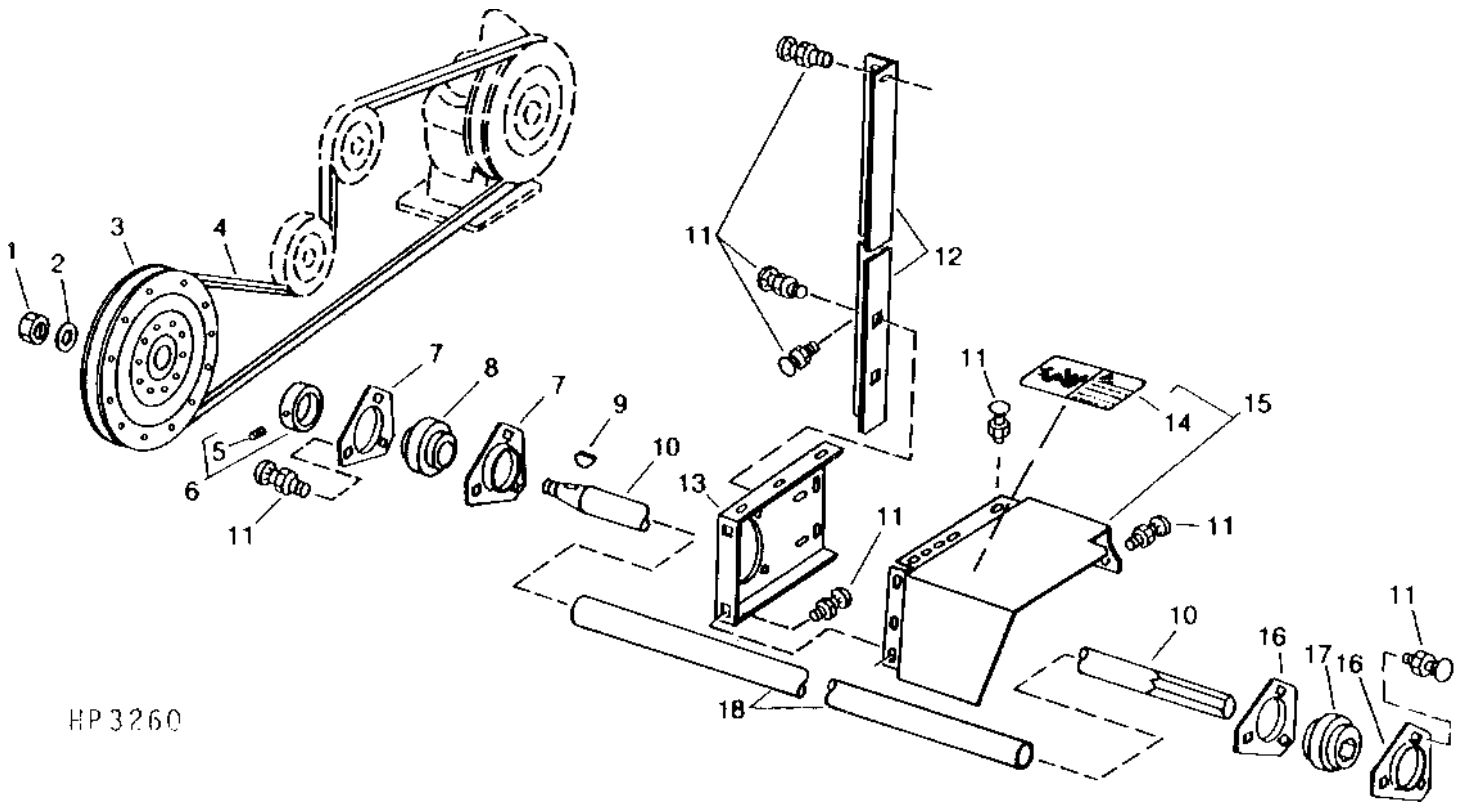
KEY	PART NO.	PART NAME	QTY	SERIAL NO.	REMARKS
1	14H904	NUT	2	-317200	3/4"
	14H904	NUT	1	317201-	3/4"
2	24H1399	WASHER	2	-317200	25/32" X 1-5/8" X 0.180"
	24H1399	WASHER	1	317201-	25/32" X 1-5/8" X 0.180"
3	AH87948	SHEAVE	1	-267450	340 MM (13-3/8") DIA. (OPTIONAL FAST)
	AH93628	SHEAVE	1	267451-620300	302 MM (11-7/8") DIA.
	AH87948	SHEAVE	1	620301-622200	340 MM (13-3/8") DIA.
	AH93628	SHEAVE	1		302 MM (11-7/8") DIA.
	AH97335	SHEAVE	1		264 MM (10-3/8") DIA. (OPTIONAL SLOW)
4	H87256	BELT	1		(FLEXIBLE) (OPTIONAL SLOW)
	H21925	BELT	1	267451-620300	(RIGID)
	H87256	BELT	1	620301-622200	(RIGID)
	H21925	BELT	1		(RIGID)
	P40278	BELT	1		(RIGID) (OPTIONAL SLOW)
	H80103	BELT	1		(FLEXIBLE AND FLEXIBLE, OPTIONAL FAST)
	H87256	BELT	1	-267450	(RIGID) (OPTIONAL FAST)
5	22H897	SET SCREW	2		1/4" X 1/4"
6	JD8544	ECCENTRIC LOCKING COLLAR	2	-317200	(220, 222, 224, AND 230)
	JD8594	ECCENTRIC LOCKING COLLAR	2	317201-	(220, 222, 224, AND 230)
	JD8544	ECCENTRIC LOCKING COLLAR	1	-317200	(213, 215, 216, AND 218)
	JD8594	ECCENTRIC LOCKING COLLAR	1	317201-	(213, 215, 216, AND 218)
7A	C3056E	PRESSED FLANGED HOUSING	4	-317200	(220, 222, 224, AND 230)
	C3994E	PRESSED FLANGED HOUSING	4	317201-620300	(220, 222, 224, AND 230)
	C3056E	PRESSED FLANGED HOUSING	2	-317200	(213, 215, 216, AND 218)
	C3994E	PRESSED FLANGED HOUSING	2	317201-620300	(213, 215, 216, AND 218)
7B	H103265	PRESSED FLANGED HOUSING	4	620301-	(220, 222, 224, AND 230)
	H103265	PRESSED FLANGED HOUSING	2	620301-	(213, 215, 216, AND 218)
8	JD9274	BALL BEARING	1	-317200	
	AH10515	BALL BEARING	1	317201-	
9	26H82	SHAFT KEY	2	-317200	1/4" X 7/8"
	26H82	SHAFT KEY	1	317201-	1/4" X 7/8"
10	H97426	DRIVE SHAFT	1		(SUB FOR H87331) L.H. (213)
	H97427	DRIVE SHAFT	1		(SUB FOR H87332) L.H. (215)
	H97428	DRIVE SHAFT	1		(SUB FOR H87333) L.H. (216)
	H97429	DRIVE SHAFT	1		(SUB FOR H87334) L.H. (218)
	H97430	DRIVE SHAFT	1		L.H. (220)
	H97431	DRIVE SHAFT	1		L.H. (222)
	H97432	DRIVE SHAFT	1		L.H. (224)
	H97433	DRIVE SHAFT	1		L.H. (230)
11	JD8545	BALL BEARING	1	-317200	(220, 222, 224, AND 230)
	JD8593	BALL BEARING	1	317201-	(220, 222, 224, AND 230)
12	H87583	BRACKET	1	-317200	(220, 222, 224, AND 230)
	H94980	BRACKET	1	317201-	(220, 222, 224, AND 230)
13	H87226	BRACKET	1		(213, 215, 216, 218, 224, AND 230)
14	H87390	ANGLE	2	-317200	(213)
15	03H1765	BOLT	AR	-317200	3/8" X 3/4", (213, 215, 216, AND 218-5 USED; 220, 222, 224, AND 230-8 USED)
	03H1765	BOLT	AR	317201-	3/8" X 3/4", (213, 215, 216-3 USED; 218-5 USED; 220, 222, 224, AND 230-8 USED)
	N10215	LOCK NUT	AR		
16	AH87946	CHAIN SPROCKET	1	-317200	14 TEETH
	AH91784	CHAIN SPROCKET	1	317201-	14 TEETH
17	AH88546	SHIELD	1	-317200	(SUB FOR AH88544, AH88549, AH88550, AH88552, AH88545 AND AH88546) L.H. (213, 215, 216, 218, 220, 222, AND 224)
	H97709	SHIELD	1	317201-	L.H. (213, 215, 216, 218, 220, 222, 224, AND 230)
18	H87232	SHIELD	1	-317200	L.H. (220, 222, AND 224)
	H97709	SHIELD	1	317201-	L.H. (220, 222, 224, AND 230)
19	P50419	SNAP RING	1	317201-	
20	H93439	SHIELD	1	317201-	
21	E62951	UNIVERSAL JOINT BEARING	1		(SUB FOR H22039)
22	H80926	SNAP RING	1	317201-	

H18

HP3260

-UN-01JAN94

CUTTERBAR DRIVE (SIDEHILL)



HP3260

H19

KNIFE, CUTTERBAR, AND DRIVE

CUTTERBAR DRIVE (SIDEHILL) - CONTINUED

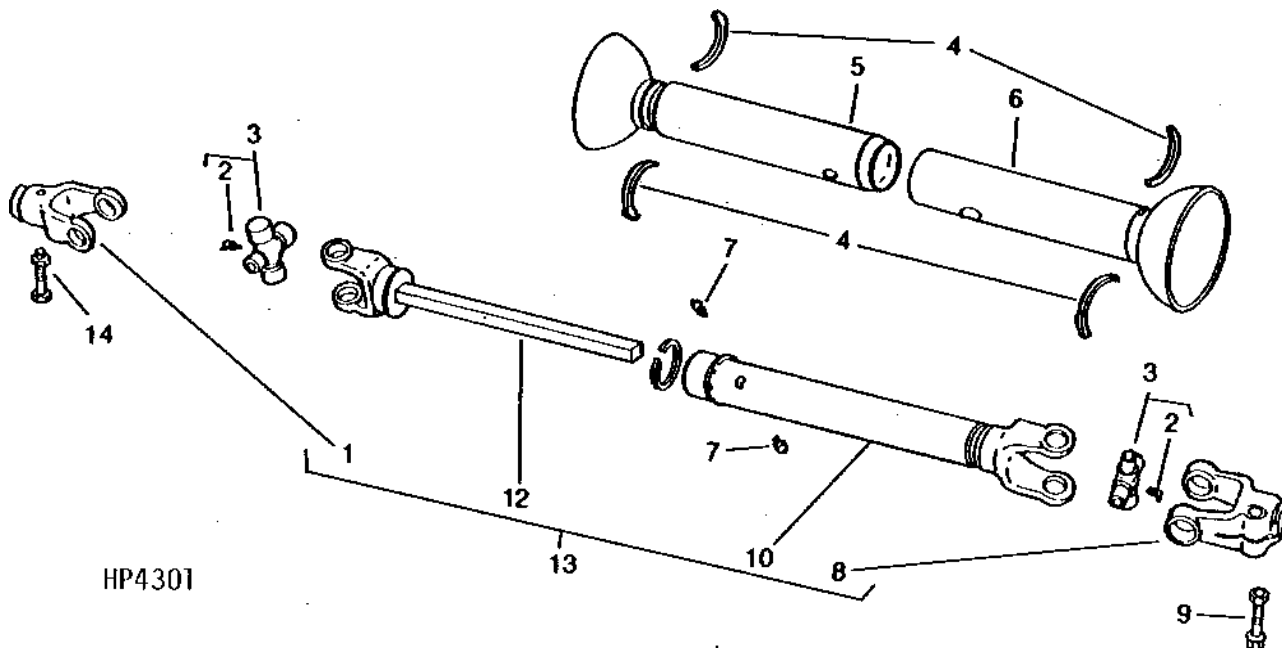
KEY	PART NO.	PART NAME	QTY	SERIAL NO. OR YEAR	REMARKS
1	14H904	NUT	1		3/4"
2	24H1399	WASHER	1		25/32" X 1-5/8" X 0.180"
3	AH87948	SHEAVE	1	-267450	340 MM (13-3/8") DIA. (OPTIONAL FAST)
	AH93628	SHEAVE	1	267451-620300	302 MM (11-7/8") DIA.
	AH87948	SHEAVE	1	620301-622200	340 MM (13-3/8") DIA.
	AH93628	SHEAVE	1		302 MM (11-7/8") DIA.
	AH97335	SHEAVE	1	369074-	264 MM (10-3/8") DIA. (OPTIONAL SLOW)
4	H87256	BELT	1		(FLEXIBLE) (OPTIONAL SLOW)
	H21925	BELT	1	267451-620300	(RIGID)
	H87256	BELT	1	620301-622200	(RIGID)
	H21925	BELT	1		(RIGID)
	P40278	BELT	1		(RIGID) (OPTIONAL SLOW)
	H80103	BELT	1		(FLEXIBLE AND FLEXIBLE, OPTIONAL FAST)
	H87256	BELT	1	-267450	(RIGID) (OPTIONAL FAST)
5	22H897	SET SCREW	1		1/4" X 1/4"
6	JD8544	ECCENTRIC LOCKING COLLAR	1	-317200	
	JD8594	ECCENTRIC LOCKING COLLAR	1	217201-	
7	C3056E	PRESSED FLANGED HOUSING	2	-317200	
	C3994E	PRESSED FLANGED HOUSING	2	217201-620300	
	H103265	PRESSED FLANGED HOUSING	2	620301-	
8	JD9274	BALL BEARING	1	-317200	
	AH10515	BALL BEARING	1	217201-	
9	26H82	SHAFT KEY	1		1/4" X 7/8"
10	H88258	DRIVE SHAFT	1		L.H. (213)
	H88259	DRIVE SHAFT	1		L.H. (215)
	H88260	DRIVE SHAFT	1		L.H. (216)
	H88262	DRIVE SHAFT	1		L.H. (220)
	H88263	DRIVE SHAFT	1		L.H. (222)
11	03H1765	BOLT	17		3/8" X 3/4"
	N10215	LOCK NUT	17		
12	H88270	ANGLE	1		
13	H88090	BRACKET	1	-620500	(SUB H134082)
	H134082	BRACKET	1	620501-	
14	E74026	DECAL	2		"DANGER" (DRIVE SHAFT)
15	H88271	SHIELD	1	-620500	(SUB H134062 AND H134063)
	H134062	SHIELD	1	620501-	R.H.
	H134063	SHIELD	1	620501-	L.H.
16	C3994E	PRESSED FLANGED HOUSING	2	-620300	
	H103265	PRESSED FLANGED HOUSING	2	620301-	
17	AN102010	BEARING	1		
18	H88264	SHIELD	1		L.H. (213)
	H88265	SHIELD	1		L.H. (215)
	H88266	SHIELD	1		(SUB H88269) L.H. (216)
	H88268	SHIELD	1		L.H. (220)
	H88269	SHIELD	1		L.H. (222)

H20

KNIFE, CUTTERBAR, AND DRIVE

HEADER DRIVE SHAFT - SIDEHILL (L.H. ILLUSTRATED)

HP4301 -UN-01JAN94



KEY	PART NO.	PART NAME	QTY	SEPARATOR SERIAL NO.	REMARKS
1	H87501	UNIVERSAL JOINT YOKE	1		(INNER)
2	LUBRICATION FITTING	1		
	P49554	SNAP RING	4		
3	AE22753	CROSS AND BEARING ASSEMBLY	2	-403300	
	AP24580	CROSS AND BEARING ASSEMBLY	2	403301-622045	
	AE22753	CROSS AND BEARING ASSEMBLY	1		
4	H22039	UNIVERSAL JOINT BEARING	4	-404255	(SUB E62951)
	E62951	UNIVERSAL JOINT BEARING	4		
	AH60752	POWERSHAFT SHIELD	1		
5	AH61953	SHIELD	1		
6	JD7797	LUBRICATION FITTING	2		
7	H22135	UNIVERSAL JOINT YOKE	1		(OUTER)
8	19H1820	CAP SCREW	1		1/2" X 3"
	12H301	LOCK WASHER	1		1/2"
	14H1040	NUT	1		1/2"
9	AH60756	YOKE, WITH TUBE	1	-505018	(SUB AH113101)
	AH113101	YOKE, WITH TUBE	1		(TUBE)
10	H24673	SNAP RING	1		
11	AH11668	YOKE, WITH SHAFT	1	-505018	(SUB AH113100)
	AH113100	YOKE, WITH SHAFT	1		(SHAFT)
12	AH138355	KIT	1		
13	19H1949	CAP SCREW	1		5/16" X 2-1/2"
	12H303	LOCK WASHER	1		5/16"
	14H785	NUT	1		5/16"

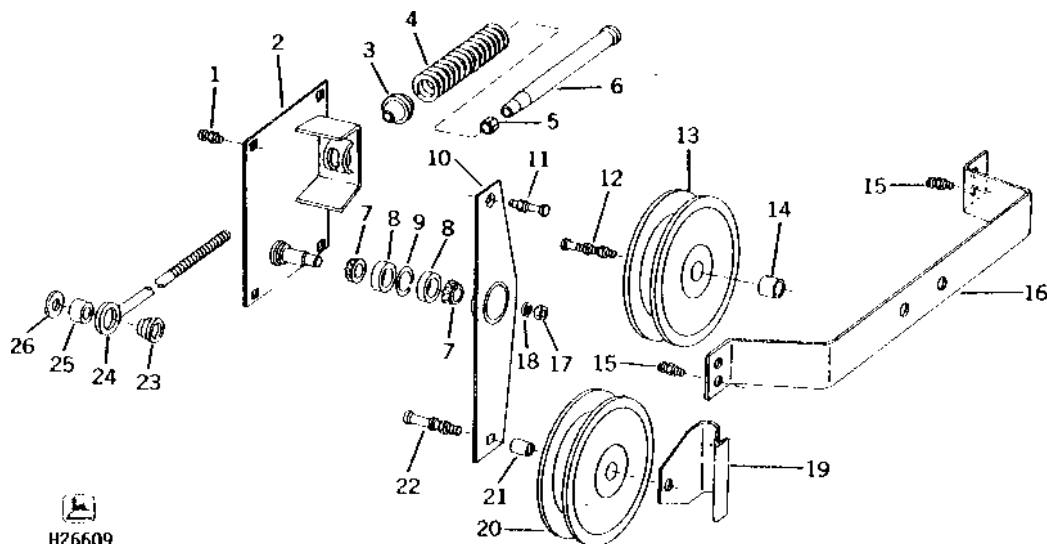
NOTE: QUANTITIES SHOWN ARE FOR ONE UNIT. TWO UNITS USED PER MACHINE.

H21

KNIFE, CUTTERBAR, AND DRIVE

H26609 -UN-01JAN94

KNIFE DRIVE IDLER AND TIGHTENER (RIGID AND FLEXIBLE)



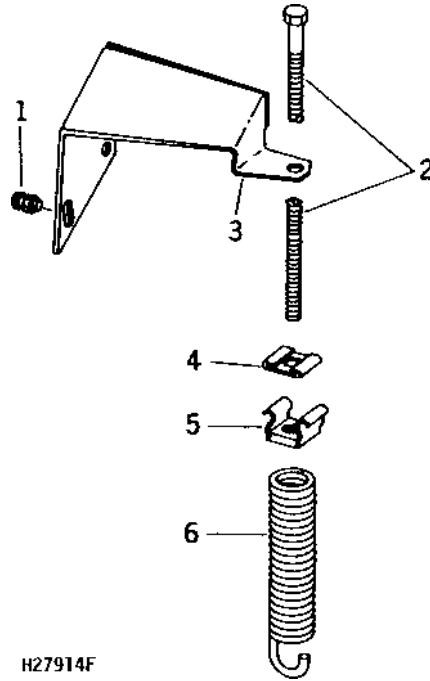
KEY	PART NO.	PART NAME	QTY	SERIAL NO.	REMARKS
1	03H1765	BOLT	4		3/8" X 3/4"
	N10215	LOCK NUT	4		FLANGE
2	AH88834	SUPPORT	1		
3	H87213	PIVOT	1		
4	H87225	SPRING	1		
5	14H1040	NUT	1		1/2"
6	AH91260	SPACER	1		
7	JD8914	BEARING CONE	2		
8	JD8244	BEARING CUP	2		
9	T27132	SNAP RING	1		
10	AH88835	ARM	1	-269409	(SUB AH94072)
	AH94072	ARM	1	-326903	(SUB H96224 AND 03H1629)
	H96224	ARM	1		
11	10H1028	BOLT	1		3/8" X 1-1/2"
	N10215	LOCK NUT	1		
12	19H1847	CAP SCREW	1		5/8" X 2-1/2"
	12H294	LOCK WASHER	1		5/8"
	14H1039	NUT	1		5/8"
13	AN15237	IDLER	1		202 MM (7-15/16") DIA.
14	P50824	BUSHING	1		(SUB P50273)
	P50273	BUSHING	1		
15	03H1500	BOLT	4		3/8" X 1"
	N10215	LOCK NUT	4		
16	H87367	SUPPORT	1		
17	14H826	NUT	1		1/2"
18	24H1351	WASHER	1		9/16" X 1-1/2" X 0.164"
19	H91305	HANDLE	1		
20	AH66202	SHEAVE	1		178 MM (7") DIA.
21	P47940	BUSHING	1	-326903	
22	03H1629	BOLT	1		5/8" X 2-1/4"
	12H294	LOCK WASHER	1		5/8"
	14H821	NUT	1		5/8"
23	H87042	BUSHING	1		
24	H87051	EYEBOLT	1		
25	H87507	BUSHING	1		
26	24H1176	WASHER	1		13/32" X 1-1/4" X 0.100"

H22

KNIFE, CUTTERBAR, AND DRIVE

H27914F -UN-01JAN94

CUTTERBAR DRIVE SUPPORT SPRING



H27914F

KEY	PART NO.	PART NAME	QTY	SERIAL NO.	REMARKS
1	03H1765	BOLT	3		
	N10215	LOCK NUT	3		3/8" X 3/4"
2	H88215	CAP SCREW	1		
3	AH89496	BRACKET	1		
4	H88213	CLIP	1		
5	H88360	NUT	1		SPEED
6	H88216	SPRING	1		

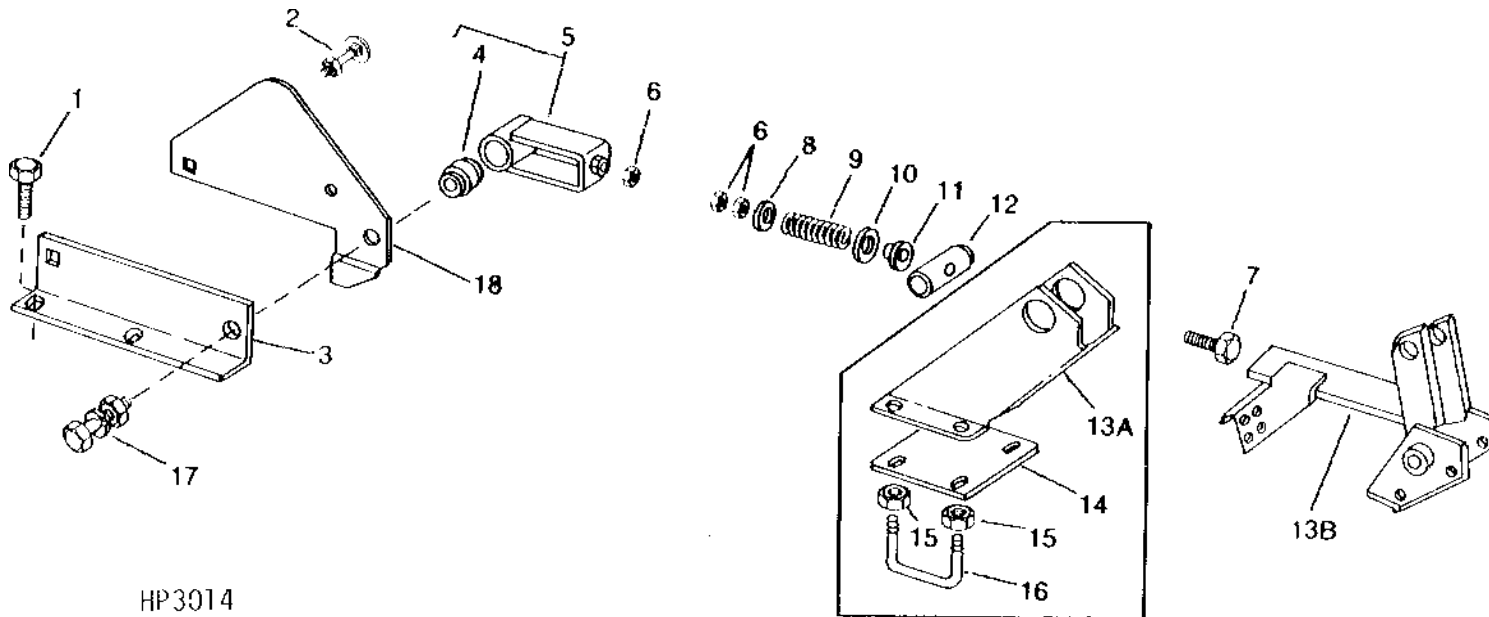
H23

KNIFE, CUTTERBAR, AND DRIVE

STABILIZER SPRING (FLEXIBLE)

213 (SERIAL NO. -620500) 215 (SERIAL NO. -620850)
 216 (SERIAL NO. -621200) 218 (SERIAL NO. -621250)
 220 (SERIAL NO. -622400) 222 (SERIAL NO. -621600)
 224 (SERIAL NO. -622200)

HP3014 -UN-01JAN94



HP3014

KEY	PART NO.	PART NAME	QTY	SERIAL NO.	REMARKS
1	19H1900	CAP SCREW	2	5/16" X 3/4"	
	12H303	LOCK WASHER	2	5/16"	
2	03H2092	BOLT	1	1/4" X 3/4"	
	N10217	LOCK NUT	1		
3	H109049	ANGLE	1		(SUB FOR H89128)
4	AH80384	ISOLATOR	1		
5	AH90578	CLEVIS	1		(WITH BUSHING) (SUB AH127981)
6	14H826	NUT	3	1/2", JAM	
7	08H4760	CAP SCREW	1	1/2" X 10-1/4"	
8	24H1111	WASHER	1	17/32" X 1-1/16" X 0.090"	
9	24338	SPRING	1		
10	24H1139	WASHER	1	11/16" X 1-1/4" X 0.105"	
11	H87121	SPACER	1		
12	H89127	PIN	1		(SUB H132825)
13A	H89130	SUPPORT	1	-267450	
13B	AH93819	SUPPORT	1	267451-	(SUB AH127983)
14	H93294	REINFORCEMENT	1	-267450	
15	14H785	NUT	4	-267450	5/16"
	12H303	LOCK WASHER	4	-267450	5/16"
16	N120189	U-BOLT	2	-267450	
17	19H1890	CAP SCREW	1		5/8" X 2-3/4"
	12H294	LOCK WASHER	1		5/8"
	14H1039	NUT	1		5/8"
18	H108461	SHIELD	1		

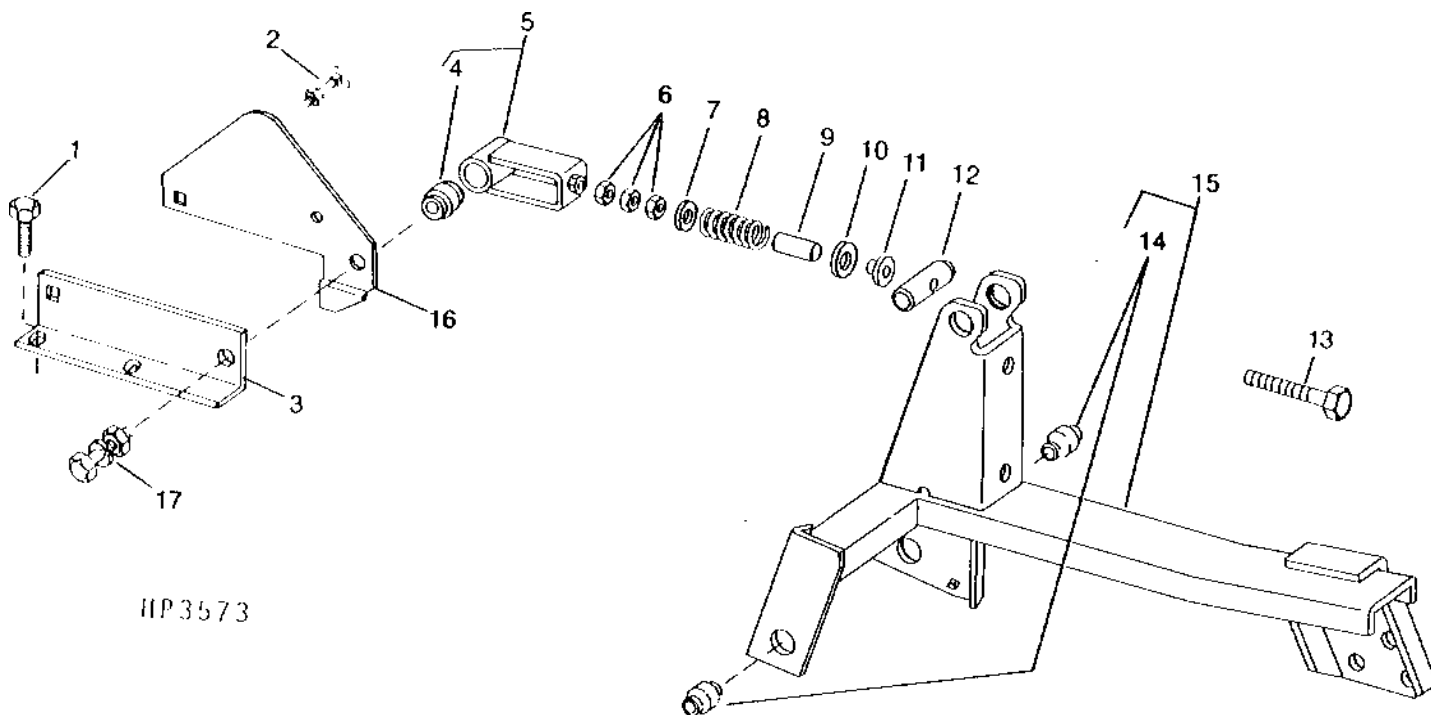
H24

KNIFE, CUTTERBAR, AND DRIVE

STABILIZER SPRING (FLEX)

213 (SERIAL NO. 620501-) 215 (SERIAL NO. 620851-)
 216 (SERIAL NO. 621201-) 218 (SERIAL NO. 621251-)
 220 (SERIAL NO. 622401-) 222 (SERIAL NO. 621601-)
 224 (SERIAL NO. 622201-)

HP3573 -UN-01JAN94

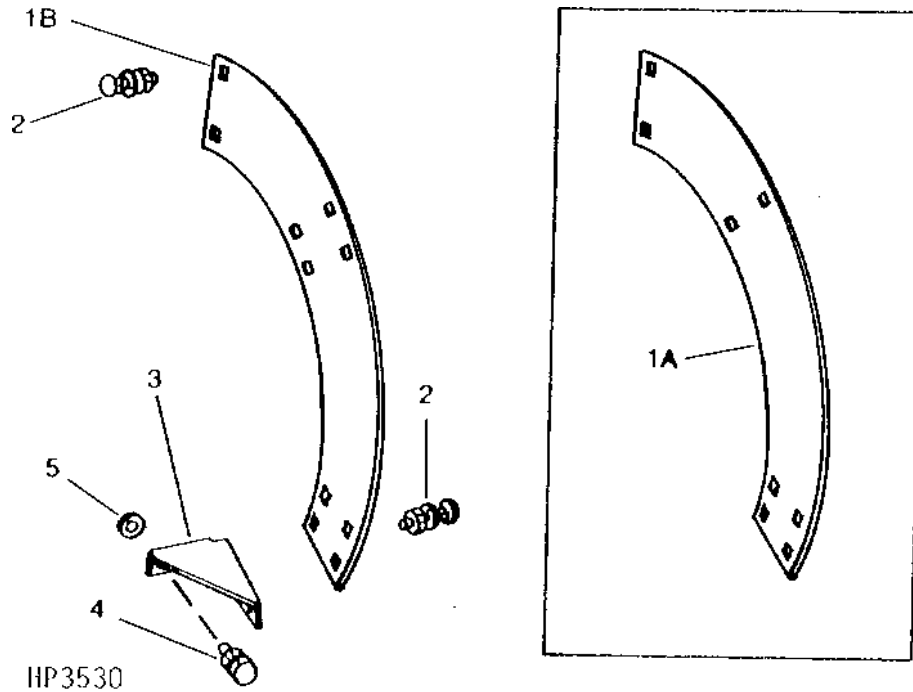


HP3573

KEY	PART NO.	PART NAME	QTY	SERIAL NO.	REMARKS
1	19H1900	CAP SCREW	2	5/16" X 3/4"	
	12H303	LOCK WASHER	2	5/16"	
2	03H2092	BOLT	1	1/4" X 3/4"	
	N10217	LOCK NUT	1		
3	H109049	ANGLE	1		
4	AH80384	ISOLATOR	1		
5	AH127981	CLEVIS	1		(WITH BUSHING)
6	14H826	NUT	3	1/2", JAM	
7	24H1211	WASHER	1	9/16" X 1-3/8" X 0.105"	
8	E73522	COMPRESSION SPRING	1		
9	H116161	HOSE	1		
10	24H1716	WASHER	1	21/32" X 1-1/4" X 0.120"	
11	H132824	BUSHING	1		
12	H132825	PIVOT	1		
13	H135228	CAP SCREW	1	1/2" X 10-1/2"	
14	AH80384	ISOLATOR	2		
15	AH127983	SUPPORT	1		
16	H108461	SHIELD	1		
17	19H1890	CAP SCREW	1	5/8" X 2-3/4"	
	12H294	LOCK WASHER	1	5/8"	
	14H760	NUT	1	5/8"	

HP3530 -UN-01JAN94

FLIGHT EXTENSIONS (CROSS AUGER)



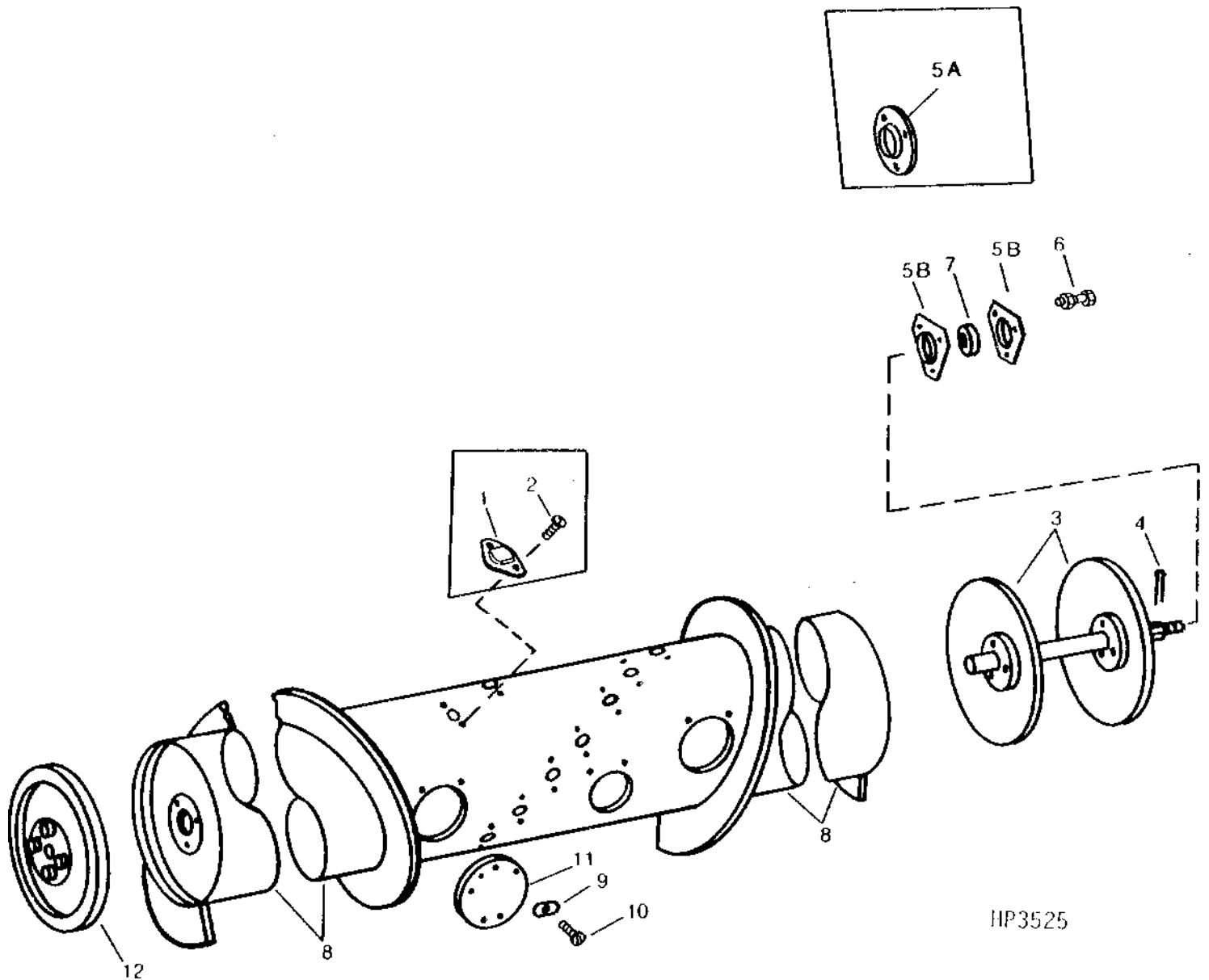
KEY	PART NO.	PART NAME	QTY	SERIAL NO.	REMARKS
1A	H87944	EXTENSION	1	-579900	(SUB H111902) R.H.
	H111902	EXTENSION	1	-621250	R.H.
	H87945	EXTENSION	1	-579900	(SUB H111903) L.H.
H111903	H111903	EXTENSION	1	-621250	L.H.
	H130934	EXTENSION	1	621251-	R.H. (SUB AH137780)
1B	H130935	EXTENSION	1	621251-	L.H. (SUB AH137780)
	2	03H1540	BOLT	8	-579900
12H303		LOCK WASHER	8	-579900	5/16"
14H785		NUT	8	-579900	5/16"
3	03H1540	BOLT	12	579901-	5/16" X 3/4"
	N10213	LOCK NUT	12	579901-	
	H87946	CLIP	1	-579900	(SUB H111905)
H111905	H111905	GUSSET	2		L.H.
	H87947	CLIP	1	-579900	(SUB H111904)
	H111904	GUSSET	2		R.H.
4	19H2284	CAP SCREW	4	-579900	3/8" X 7/8"
	12H304	LOCK WASHER	4	-579900	3/8"
	14H812	NUT	4	-579900	3/8"
19H3411	19H3411	CAP SCREW	8	579901-	3/8" X 1-1/8"
	12H304	LOCK WASHER	8	579901-	3/8"
	14H812	NUT	8	579901-	3/8"
5	24H1308	WASHER	4	-579900	13/32" X 1" X 0.134"
	24H1308	WASHER	8	579901-	13/32" X 1" X 0.134"

I3

HP3525

-UN-01JAN94

CROSS AUGER AND SHAFT (RIGID AND FLEXIBLE)



HP3525

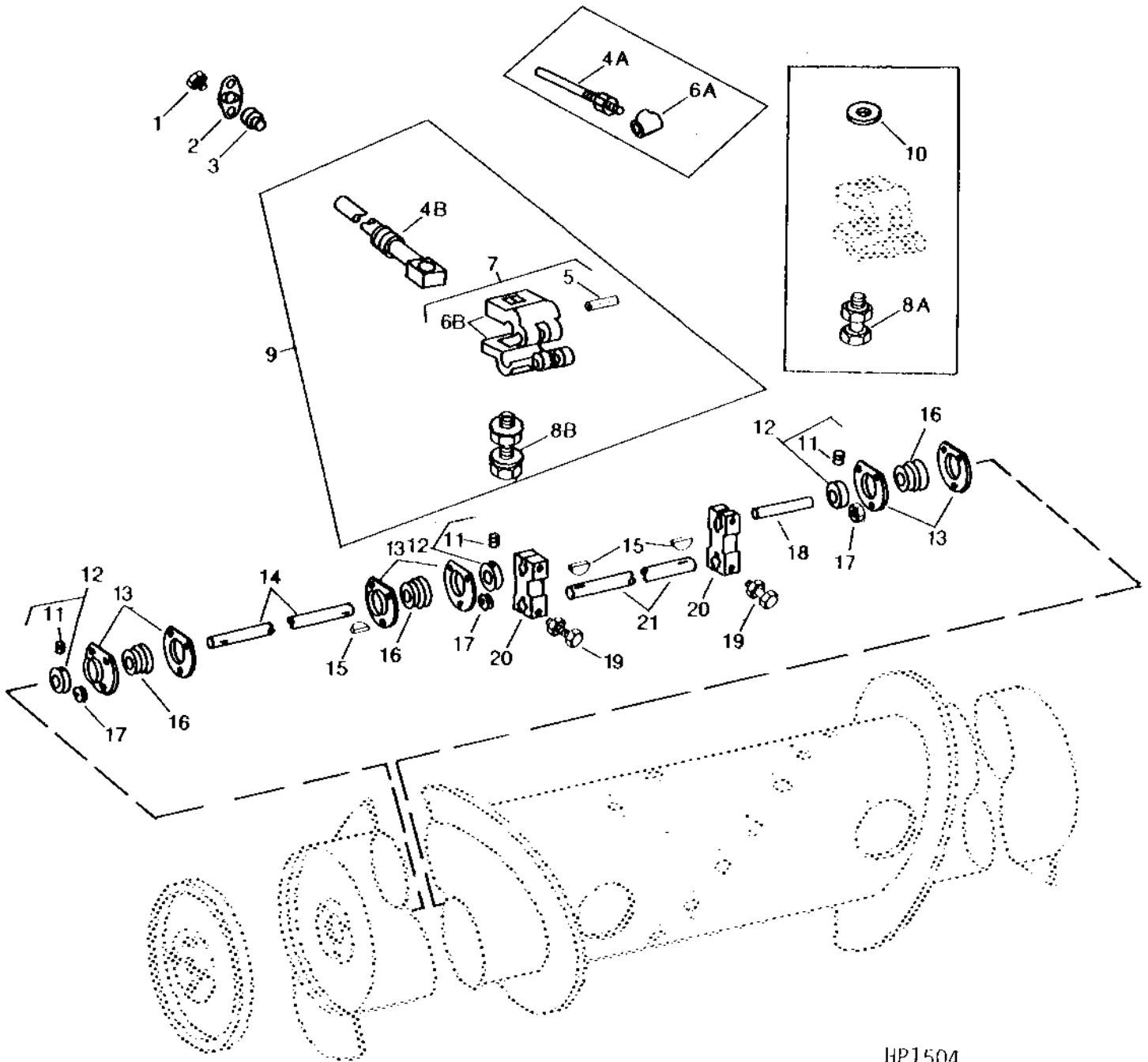
**CROSS AUGER AND SHAFT - CONTINUED
(RIGID AND FLEXIBLE)**

KEY	PART NO.	PART NAME	QTY	SERIAL NO.	REMARKS
1	H87193	COVER	6		(13', 15', 16', 18', 20', AND 22' PLATFORMS)
2	H86918	SCREW	12		(13', 15', 16', 18', 20', AND 22' PLATFORMS)
3	AH88557	SHAFT	1	-231153	(SUB AH94788)
	AH94788	SHAFT	1		
4	11H237	COTTER PIN	1		1/8" X 2"
5A	C3994E	PRESSED FLANGED HOUSING	2	-620300	
5B	H103265	PRESSED FLANGED HOUSING	2	620301-	
6	03H1500	BOLT	3		3/8" X 1"
	12H304	LOCK WASHER	3		3/8"
	14H812	NUT	3		3/8"
7	JD9209	BALL BEARING	1		
8	AH88525	AUGER	1	-378683	(SUB AH101449)
	AH101449	AUGER	1	-579900	(SUB AH111302)
	AH111302	AUGER	1	-620500	(213) (SUB AH129334)
	AH129334	AUGER	1		(213)
	AH88527	AUGER	1	-368118	(SUB AH101450)
	AH101450	AUGER	1	-579900	(SUB AH111303)
	AH111303	AUGER	1		(215)
	AH88529	AUGER	1	-218987	(SUB AH92999)
	AH92999	AUGER	1	-375526	(SUB AH101451)
	AH101451	AUGER	1	-579900	(SUB AH111304)
	AH111304	AUGER	1	-585095	(SUB AH114216)
	AH114216	AUGER	1		(216)
	AH88537	AUGER	1	-218987	(SUB AH93000)
	AH93000	AUGER	1	-375526	(SUB AH101452)
	AH101452	AUGER	1	-579900	(SUB AH111305)
	AH111305	AUGER	1	-621250	(218) (SUB AH129260)
	AH129260	AUGER	1		(218)
	AH88531	AUGER	1	-218987	(SUB AH93001)
	AH93001	AUGER	1	-376839	(SUB AH101454)
	AH101454	AUGER	1	-579900	(SUB AH111307)
	AH111307	AUGER	1	-621250	(220) (SUB AH125937)
	AH125937	AUGER	1	-622100	(220) (SUB AH129261)
	AH129261	AUGER	1		(220)
	AH88533	AUGER	1	-218987	(SUB AH93002)
	AH93002	AUGER	1	-378683	(SUB AH101455)
	AH101455	AUGER	1	-579900	(SUB AH111308)
	AH111308	AUGER	1	-621450	(222)
	AH125938	AUGER	1	-621800	(222) (SUB AH128982)
	AH128982	AUGER	1		(222)
	AH88535	AUGER	1	-218987	(224) (SUB AH96707)
	AH96707	AUGER	1	-378683	(224) (SUB AH101456)
	AH101456	AUGER	1	-579900	(SUB AH109893) (224)
	AH109893	AUGER	1	-621600	(224) (SUB AH128983)
	AH128983	AUGER	1	621601-	(224)
	AH93003	AUGER	1	-378683	(SUB AH101457)
	AH101457	AUGER	1	-579900	(230 RIGID) (SUB AH111309)
	AH111309	AUGER	1	-621750	(230) (SUB AH128984)
	AH128984	AUGER	1	621751-	(230)
9	P41706	NUT	4	-579900	
	P41706	NUT	6	579901-	
10	19H1919	CAP SCREW	4	-579900	1/4" X 5/8"
	19H1919	CAP SCREW	6	579901-	1/4" X 5/8"
11	H87184	COVER	2	-579900	
	H87184	COVER	3	579901-	
12	AH88522	HUB	3	-610500	(SUB AH124929)
	AH124929	CYLINDER HEAD	3		

HP1504

-UN-01JAN94

CROSS AUGER BEARINGS, SHAFTS, AND FINGERS (RIGID AND FLEXIBLE)



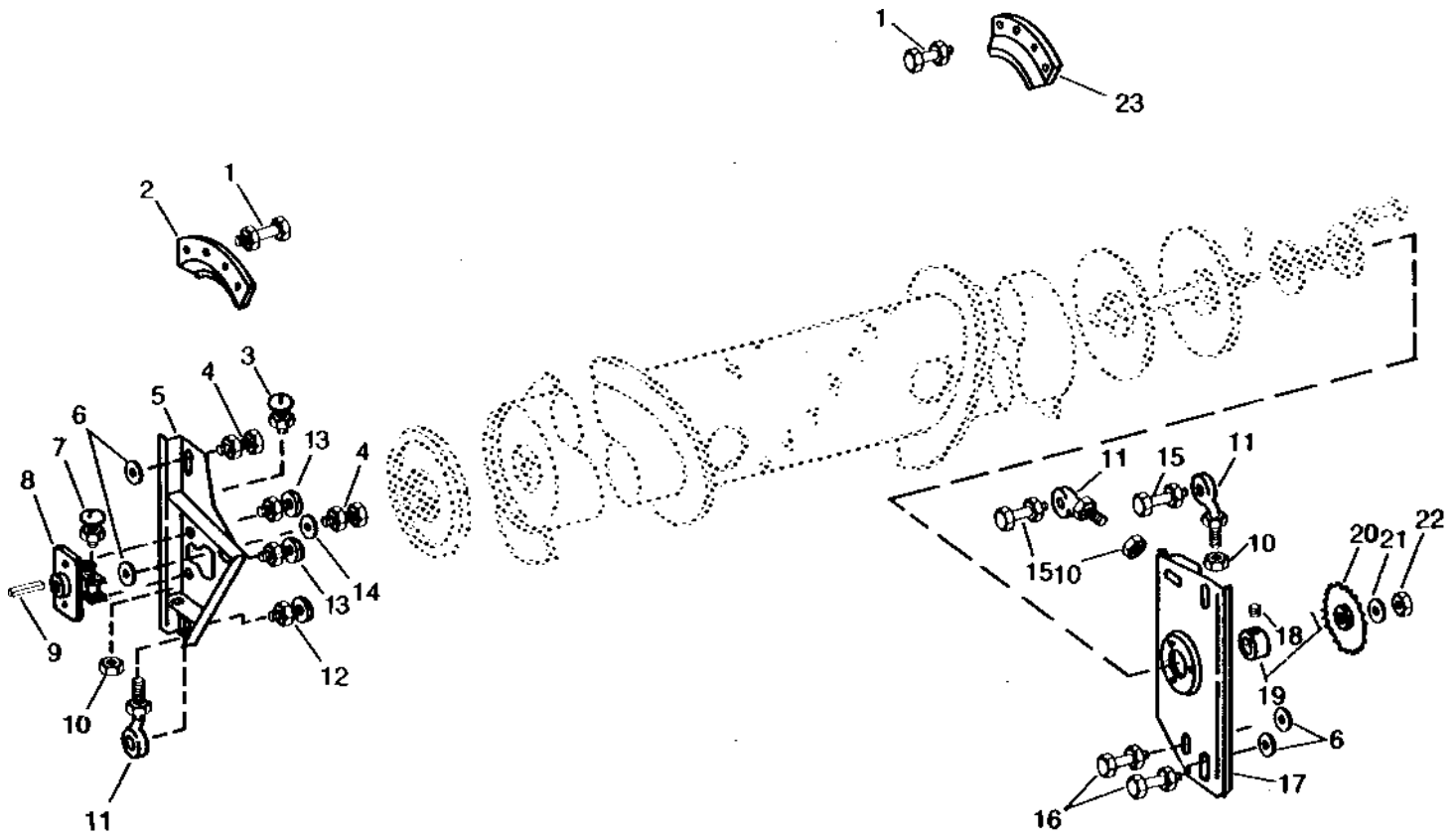
**CROSS AUGER BEARINGS, SHAFTS, AND FINGERS - CONTINUED
(RIGID AND FLEXIBLE)**

KEY	PART NO.	PART NAME	QTY	SERIAL NO.	REMARKS
1	H86918	SCREW	AR		(224 AND 230-36 USED)
	H86918	SCREW	AR	579901-	(213 AND 215-24 USED; 216, 218, 220-36 USED)
2	H87192	CAP	AR		(224 AND 230-18 USED)
	H87192	CAP	AR	579901-	(213 AND 215-12 USED; 216, 218, 220, 222-18 USED)
3	H87044	GUIDE	AR		(224 AND 230-18 USED)
	H87044	GUIDE	AR	579901-	(213 AND 215-12 USED; 216, 218, 220, 222-18 USED)
4A	H87069	FINGER	AR	-431350	((213, 215, 216, 218, 220, 222 - 12 USED; 224, 230 - 18 USED)
4B	H102724	FINGER	AR	431351-	(213, 215, 216, 218, 220, 222 - 12 USED; 224 AND 230-18 USED)
5	34H318	SPRING PIN	12	431351-	1/4" X 1-7/8", (224 AND 230-18 USED)
	34H318	SPRING PIN	AR	579901-	1/4" X 1-7/8", (213 AND 215-12 USED; 216, 218, 220, 222 - 18 USED)
6A	AH87944	BEARING	12	-431350	(224 AND 230-18 USED) (SUB H102724, H103046, M40699, 19H1875, 34H318 AND 24H1685)
6B	H103046	BEARING	24	431351-439643	(224 AND 239-36 USED) (SUB AH107066)
7	AH107066	BEARING	AR		(224 AND 230-36 USED)
	AH107066	BEARING	AR	579901-	(213 AND 215-12 USED; 216, 218, 220, 222 - 18 USED)
8A	19H1875	CAP SCREW	AR	-535595	5/16" X 1-3/4", (224 AND 230-18 USED) (SUB H110729)
	M40699	NUT	AR	-535595	(224 AND 230-18 USED) (SUB H110730)
8B	19H3549	CAP SCREW	AR		5/16" X 1-3/4", (224 AND 230-18 USED) (SUB FOR H110729)
	H110730	FLANGE NUT	AR	535596-579900	(224 AND 230-18 USED)
	H110730	FLANGE NUT	AR	579901-	(213 AND 215-12 USED; 216, 218, 220, 222 - 18 USED)
9	AH110993	FINGER	AR	-579900	(224 AND 230-18 USED)
	AH110993	FINGER	AR	579901-	213 AND 215-12 USED; 216, 218, 220, 222 - 18 USED)
10	24H1685	WASHER	24	-535595	11/32" X 47/64" X 0.083", (224 AND 230-36 USED)
11	22H897	SET SCREW	3		1/4" X 1/4"
12	JD8551	ECCENTRIC LOCKING COLLAR	3		
13	C3056E	PRESSED FLANGED HOUSING	6	-620300	
	E10018	PRESSED FLANGED HOUSING	6	620301-	
14	H87215	SHAFT	1		(213) L.H.
	H87216	SHAFT	1	-319446	(SUB H88532)
	H101762	SHAFT	1		(215) L.H. (SUB FOR H88532)
	H87217	SHAFT	1		(216) L.H.
	H87218	SHAFT	1		(218) L.H.
	H87219	SHAFT	1	-378683	(SUB H92502)
	H101764	SHAFT	1		(220) L.H. (SUB FOR H92502)
	H87220	SHAFT	1		(224) L.H.
	H87263	SHAFT	1		(222) L.H.
	AH96548	SHAFT	1		(230) L.H.
15	26H14	SHAFT KEY	3	-620300	3/16" X 3/4"
	26H77	SHAFT KEY	3	620301-	3/16" X 3/4"
16	JD8552	BALL BEARING	3		
17	N10215	LOCK NUT	9		
18	H94708	PIN	1		R.H. (SUB FOR H87258)
19	19H1726	CAP SCREW	4		3/8" X 2-1/4"
	H86656	LOCK NUT	4	-620300	
	H99923	LOCK NUT	4	620301-	9.525 MM (3/8")
20	H89701	CRANK	2	-610350	(213) (SUB H118913)
	H118913	CRANK	2		(213)
	H89701	CRANK	2	-610500	(215) (SUB H118913)
	H118913	CRANK	2		(215)
	H89701	CRANK	2	-610700	(216) (SUB H118913)
	H118913	CRANK	2		(216)
	H89701	CRANK	2	-611000	(218) (SUB H118913)
	H118913	CRANK	2		(218)
	H89701	CRANK	2	-611200	(220) (SUB H118913)
	H118913	CRANK	2		(220)
	H89701	CRANK	2	-611350	(222) (SUB H118913)
	H118913	CRANK	2		(222)
	H89701	CRANK	2	-611550	(224) (SUB H118913)
	H118913	CRANK	2		(224)
	H89701	CRANK	2	-611700	(230) (SUB H118913)
	H118913	CRANK	2		(230)
21	H87257	SHAFT	1		(FINGER)

CROSS AUGER BRACKETS AND SHIELDS (RIGID AND FLEXIBLE)

HP1505

-UN-01JAN94

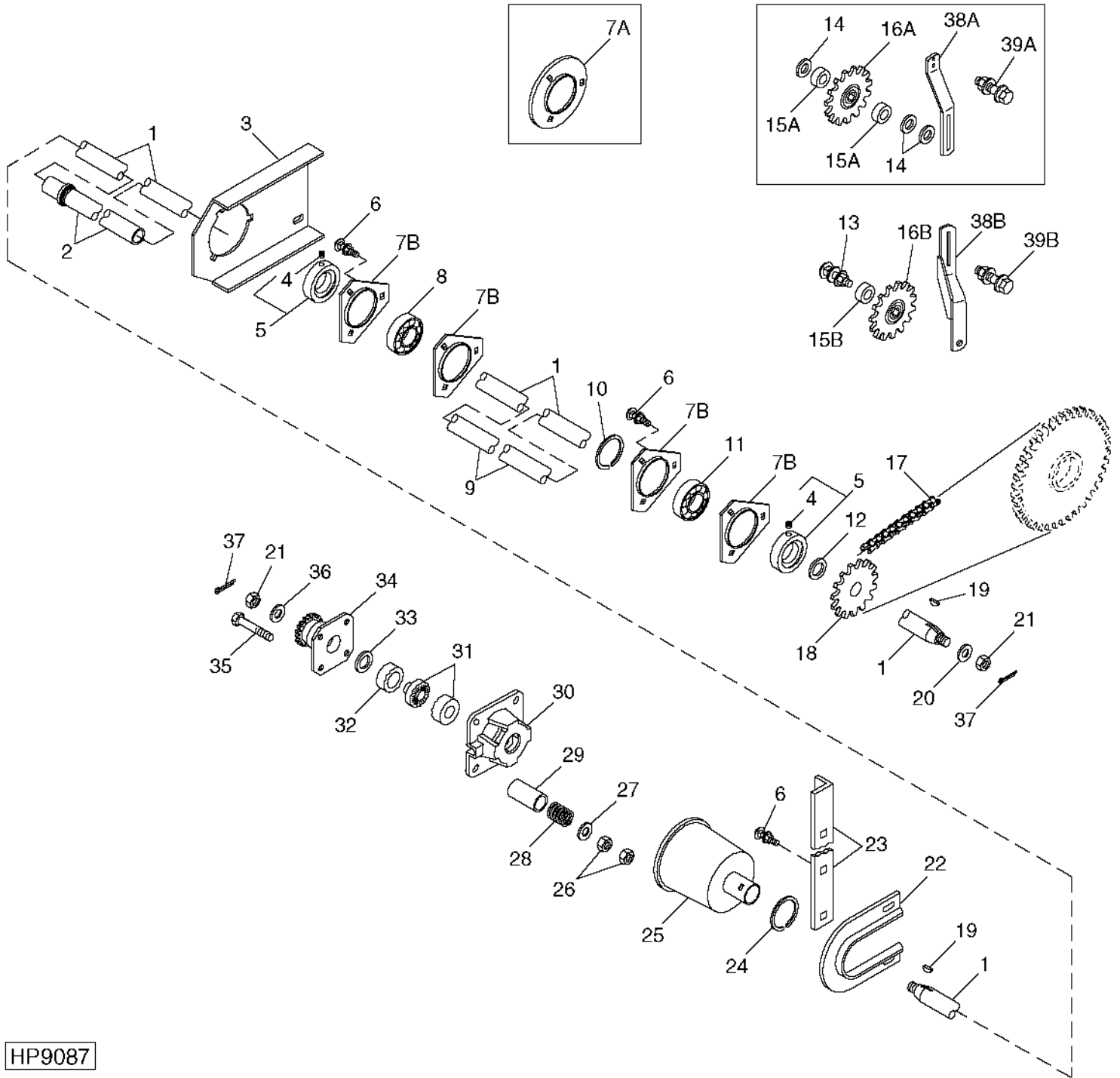


HP1505

**CROSS AUGER BRACKETS AND SHIELDS - CONTINUED
(RIGID AND FLEXIBLE)**

KEY	PART NO.	PART NAME	QTY	SERIAL NO.	REMARKS
1	21H1024	SCREW	8		1/4" X 5/8"
	N10217	LOCK NUT	8		
2	H88555	SHIELD	1		(SUB H134764) (L.H.) RIGID
3	22H817	SET SCREW	2	-317200	3/8" X 3/4"
	14H732	NUT	2	-317200	3/8"
4	03H1746	BOLT	2		1/2" X 1-1/4"
	12H301	LOCK WASHER	2		1/2"
	14H1040	NUT	2		1/2"
5	AH92561	BRACKET	1	-231153	(SUB AH94787)
	AH94787	BRACKET	1	-378683	(SUB AH97240)
	AH95458	BRACKET	1	-530050	(A) (SUB AH108738)
	AH108738	BRACKET	1		(A)
6	24H1111	WASHER	4		17/32" X 1-1/16" X 0.090"
7	19H1726	CAP SCREW	1	317201-	(A) 3/8" X 2-1/4"
	12H304	LOCK WASHER	1	317201-	(A) 3/8"
	14H812	NUT	1	317201-	(A) 3/8"
8	H96757	SUPPORT	1	317201-	(A)
9	26H14	SHAFT KEY	1		3/16" X 3/4"
10	14H1040	NUT	6		1/2"
11	H87395	EYEBOLT	3		
12	03H1731	BOLT	1		1/2" X 1-1/2"
	12H301	LOCK WASHER	1		1/2"
	14H1040	NUT	1		1/2"
13	03H1746	BOLT	2	317201-	(A) 1/2" X 1-1/4"
	12H301	LOCK WASHER	2	317201-	(A) 1/2"
	14H1040	NUT	2	317201-	(A) 1/2"
14	H89623	NUT	1	-535595	(SUB H113355)
	H113355	NUT	1		
15	03H1731	BOLT	2		1/2" X 1-1/2"
	12H301	LOCK WASHER	2		1/2"
	14H1040	NUT	2		1/2"
16	03H1659	BOLT	2		1/2" X 1"
	12H301	LOCK WASHER	2		1/2"
	14H1040	NUT	2		1/2"
17	AH88838	BRACKET	1		(SUB AH133436)
18	22H979	SET SCREW	1		3/8" X 3/8"
19	JD8576	ECCENTRIC LOCKING COLLAR	1		
20	AH87947	CHAIN SPROCKET	1		DRIVE, 40 TEETH (REGULAR SPEED)
	AH88802	CHAIN SPROCKET	1		DRIVE, 50 TEETH (SLOW SPEED)
21	24H1402	WASHER	1		25/32" X 1-7/8" X 1/4"
22	14H904	NUT	1	492955-	3/4", (SUB 14H902 AND 11H237, THIS APPLICATION)
	14H902	NUT	1		3/4", SLOTTED
23	H88554	SHIELD	1		(SUB H134763) (R.H.) RIGID
	PART LISTED BELOW CONSISTS OF ALL PARTS IDENTIFIED BY AN (A):				
..	AH97240	BRACKET	1		

CROSS AUGER DRIVE (RIGID AND FLEXIBLE)



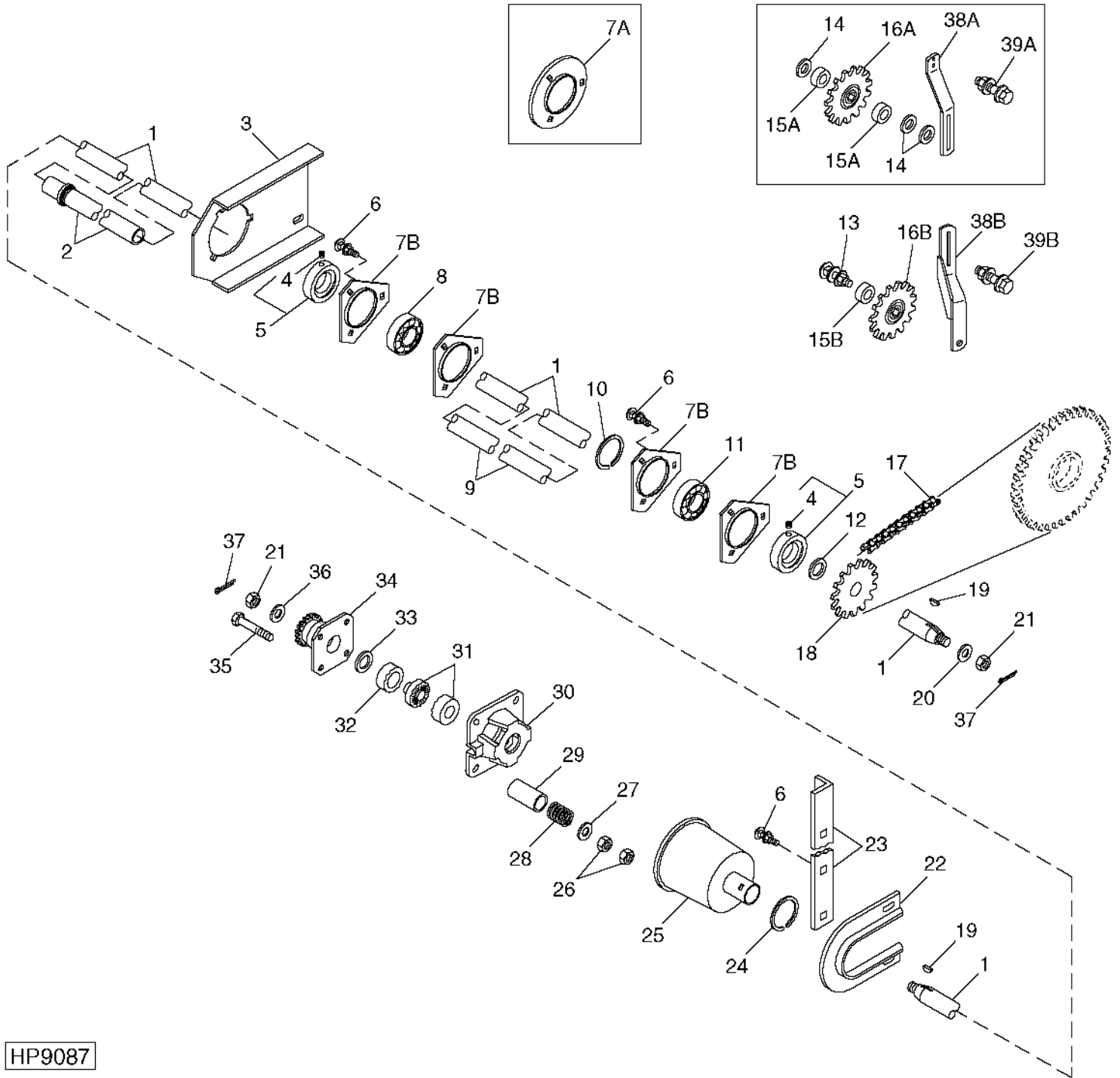
HP9087

CROSS AUGER DRIVE (RIGID AND FLEXIBLE) - CONTINUED

KEY	PART NO.	PART NAME	QTY	SERIAL NO.	REMARKS
1	H87348	SHAFT	1	(213)	(DRIVE)
	H87349	SHAFT	1	(215)	(DRIVE)
	H87350	SHAFT	1	(216)	(DRIVE)
	H87351	SHAFT	1	(218)	(DRIVE)
	H87352	SHAFT	1	(220)	(DRIVE)
	H87363	SHAFT	1	(222)	(DRIVE)
	H87353	SHAFT	1	(224)	(DRIVE)
2	H89400	SHAFT	1	(230)	(DRIVE)
	AH96316	SHIELD	1	R.H. (213, 215, 216, 218, 220, 222, 224 AND 230) (SUB FOR AH88541, AH88547, AH88548, AH88551, AH88542, AH88555 AND AH88543)	
3	H87583	BRACKET	1	-317200	(220, 222, 224, AND 230)
	H94980	BRACKET	1	317201-	(220, 222, 224, AND 230)
4	22H897	SET SCREW	2		1/4" X 1/4"
5	JD8544	ECCENTRIC LOCKING COLLAR	2	-317200	(220, 222, 224, AND 230)
	JD8594	ECCENTRIC LOCKING COLLAR	2	317201-	(220, 222, 224, AND 230)
	JD8544	ECCENTRIC LOCKING COLLAR	1	-317200	(213, 215, 216, AND 218)
	JD8594	ECCENTRIC LOCKING COLLAR	1	317201-	(213, 215, 216, AND 218)
6	03H1765	BOLT	AR	-317200	3/8" X 3/4", (213, 215, 216, AND 218-5 USED; 220, 222, 224, AND 230-8 USED)
	03H1765	BOLT	AR	317201-	3/8" X 3/4", (213 AND 215-3 USED; 216 AND 218-5 USED; 220, 222, 224, AND 230-8 USED)
7A	N10215	LOCK NUT	AR		
	C3056E	PRESSED FLANGED HOUSING	4	-317200	(220, 222, 224, AND 230)
	C3994E	PRESSED FLANGED HOUSING	4	317201-620300	(220, 222, 224, AND 230)
	C3056E	PRESSED FLANGED HOUSING	2	-317200	(213, 215, 216, AND 218)
	C3994E	PRESSED FLANGED HOUSING	2	317201-620300	(213, 215, 216, AND 218)
7B	H103265	PRESSED FLANGED HOUSING	4	620301-	(220, 222, 224, AND 230)
	H103265	PRESSED FLANGED HOUSING	2	620301-	(213, 215, 216, AND 218)
8	JD8545	BALL BEARING	1	-317200	
	JD8593	BALL BEARING	1	317201-	(220, 222, 224, AND 230)
9	H97709	SHIELD	1		(SUB FOR H89279) R.H. (220, 222, 224, AND 230)
10	E30743	SNAP RING	1		
11	JD9274	BALL BEARING	1	-317200	
	AH10515	BALL BEARING	1	317201-	
12	24H1649	WASHER	3	-317200	1-9/32" X 1-11/16" X 0.060"
	24H1649	WASHER	1	317201-	1-9/32" X 1-11/16" X 0.060"
13	03H2113	BOLT	1	-317200	1/2" X 2"
	03H2114	BOLT	1	317201-431350	1/2" X 2-3/4"
	03H2203	BOLT	1	431351-	1/2" X 2-1/4"
	12H301	LOCK WASHER	1	431351-	1/2"
	14H1040	NUT	1	431351-	1/2"
14	24H1111	WASHER	1	-317200	17/32" X 1-1/16" X 0.090"
	24H1111	WASHER	3	317201-431350	17/32" X 1-1/16" X 0.090"
15A	H87121	SPACER	1	-317200	
	H87121	SPACER	2	317201-431350	
15B	H98792	WASHER	1	431351-	
16A	AN31211	CHAIN SPROCKET	1	-431350	5/8" BORE, 15 TEETH
16B	AH20443	CHAIN SPROCKET	1	431351-	1/2" BORE, 15 TEETH
17	LINK CHAIN	1		ROLLER, DRIVE, TYPE 60, 3/4" PITCH, 87 LINKS, (ASSEMBLE FROM AB1288H, AB1289H, AB1290H, B5235H AND B5321H)
18	AH87945	CHAIN SPROCKET	1		DRIVE, 13 TEETH
19	26H82	SHAFT KEY	2		1/4" X 7/8"
20	24H1399	WASHER	1		25/32" X 1-5/8" X 0.180"
21	14H902	NUT	2		3/4", (SUB FOR 14H904, THIS APPLICATION) (USE WITH 11H237)

THIS PARTS LISTING IS CONTINUED

CROSS AUGER DRIVE (RIGID AND FLEXIBLE) - CONTINUED



HP9087

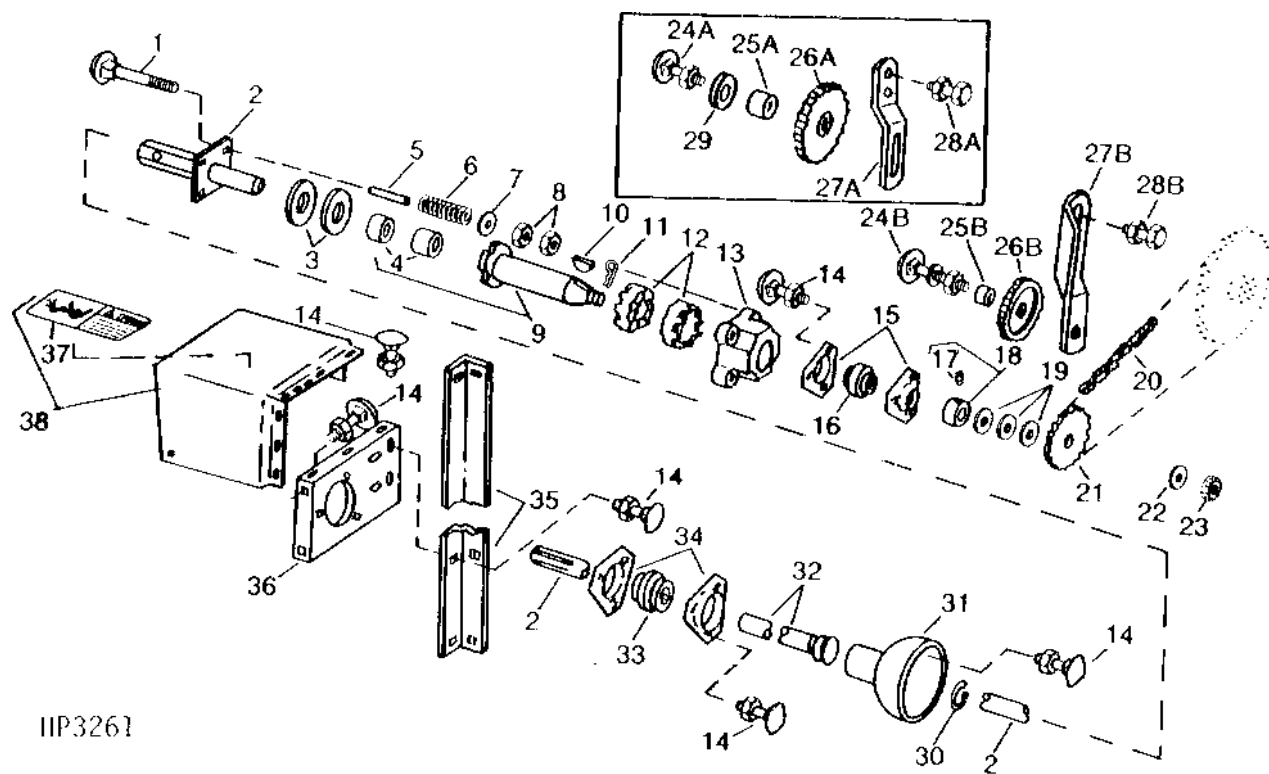
CROSS AUGER DRIVE (RIGID AND FLEXIBLE) - CONTINUED

KEY	PART NO.	PART NAME	QTY	SERIAL NO.	REMARKS
22	H87226	BRACKET	1		(213, 215, 216, 218, 224, AND 230)
23	H87390	ANGLE	2	-317200	213, (215)
24	H87059	SNAP RING	1		
25	AH88540	SHIELD	1		(SLIP CLUTCH) (SUB H135222, AH132618 AND E62951)
26	H86656	LOCK NUT	8		
27	24H1653	WASHER	4		13/32" X 1-1/4" X 0.120"
28	H77433	SPRING	4		
29	H87206	SPACER	4		
30	N100101	RETAINER	1	-600000	(213, 215, 216, 218, 220, 222, 224, 230)
	H89525	RETAINER	1	600001-	(213, 215, 216, 218, 220, 222, 224, 230)
31	Z699H	SLIP CLUTCH	2		
32	H93738	SLIP CLUTCH	1		
33	H89524	WASHER	1		
34	H143581	DRIVER	1		(SUB FOR AH87953)
35	03H2040	BOLT	4		3/8" X 4-1/4"
36	C2214E	WASHER	1		
37	11H237	COTTER PIN	2		1/8" X 2"
38A	H95141	STRAP	1	317201-431350	
38B	AH97342	STRAP	1	431351-	
39A	19H1731	CAP SCREW	2	317201-431350	3/8" X 1"
	N10215	LOCK NUT	2	317201-431350	
39B	03H1500	BOLT	2	431351-	3/8" X 1"
	12H304	LOCK WASHER	2	431351-	3/8"
	14H812	NUT	2	431351-	3/8"

HP3261

-UN-01JAN94

CROSS AUGER DRIVE (SIDEHILL) (RIGID AND FLEXIBLE)



HP3261

**CROSS AUGER DRIVE (SIDEHILL) - CONTINUED
(RIGID AND FLEXIBLE)**

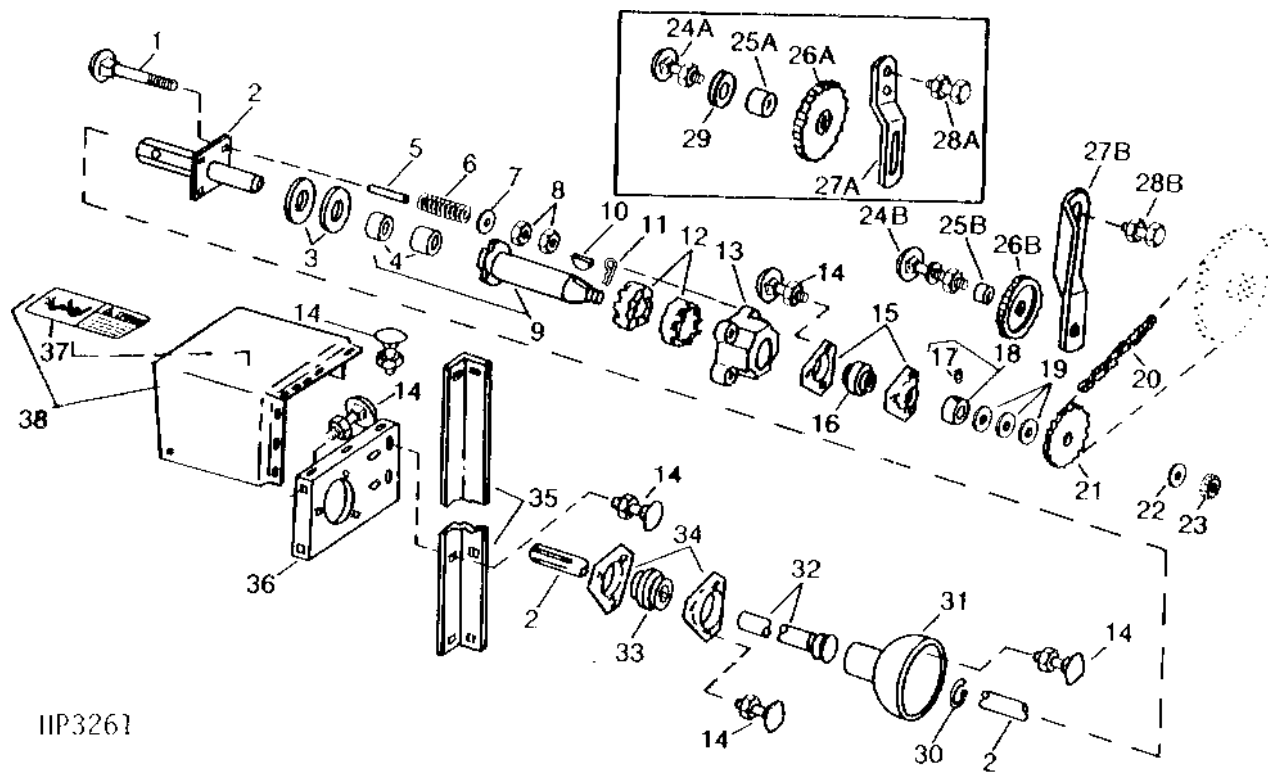
KEY	PART NO.	PART NAME	QTY	SERIAL NO.	REMARKS
1	03H2040	BOLT	4		3/8" X 4-1/4"
2	AH97284	SHAFT	1		(SUB FOR AH89445) (213) (DRIVE)
	AH97287	SHAFT	1		(SUB FOR AH89528) (220) (DRIVE)
	AH97285	SHAFT	1		(SUB FOR AH89529) (215) (DRIVE)
	AH97286	SHAFT	1		(SUB FOR AH89530) (216) (DRIVE)
	AH97288	SHAFT	1		(SUB FOR AH89532) (222) (DRIVE)
3	H95034	WASHER	2		(SUB FOR N100129)
4	AR1479R	BUSHING	1		(2 PER PKG.)
5	H87206	SPACER	4		
6	H77433	SPRING	4		
7	24H1653	WASHER	4		13/32" X 1-1/4" X 0.120"
8	14H812	NUT	8		3/8"
9	AH97281	SHAFT	1		(DRIVE) (SUB FOR AH89089)
10	26H82	SHAFT KEY	1		1/4" X 7/8"
11	11H237	COTTER PIN	1		1/8" X 2"
12	Z699H	SLIP CLUTCH	2		
13	N100101	RETAINER	1	-600000	(213)
	H89525	RETAINER	1	600001-	(213)
	N100101	RETAINER	1	-600000	(215)
	H89525	RETAINER	1	600001-	(215)
	N100101	RETAINER	1	-600000	(216)
	H89525	RETAINER	1	600001-	(216)
	N100101	RETAINER	1	-600000	(218)
	H89525	RETAINER	1	600001-	(218)
	N100101	RETAINER	1	-600000	(220)
	H89525	RETAINER	1	600001-	(220)
	N100101	RETAINER	1	-600000	(222)
	H89525	RETAINER	1	600001-	(222)
14	03H1765	BOLT	12		3/8" X 3/4"
	N10215	LOCK NUT	12		
15	C3056E	PRESSED FLANGED HOUSING	2	-317200	
	C3994E	PRESSED FLANGED HOUSING	2	317201-620300	
	H103265	PRESSED FLANGED HOUSING	2	620301-	
16	JD9274	BALL BEARING	1	-317200	
	AH10515	BALL BEARING	1	317201-	
17	22H897	SET SCREW	1		1/4" X 1/4"
18	JD8544	ECCENTRIC LOCKING COLLAR	1	-317200	
	JD8594	ECCENTRIC LOCKING COLLAR	1	317201-	
19	24H1649	WASHER	3		1-9/32" X 1-11/16" X 0.060"
20	LINK CHAIN	1		(ROLLER, DRIVE, TYPE 60, 3/4" PITCH, 87 LINKS) (ASSEMBLE FROM AB1288H, AB1289H, AB1290H, B5235H AND B5321H)
21	AH87945	CHAIN SPROCKET	1		13 TEETH
22	24H1399	WASHER	1		25/32" X 1-5/8" X 0.180"

THIS PARTS LISTING IS CONTINUED

CROSS AUGER DRIVE (SIDEHILL) - CONTINUED (RIGID AND FLEXIBLE)

HP3261

-UN-01JAN94



HP3261

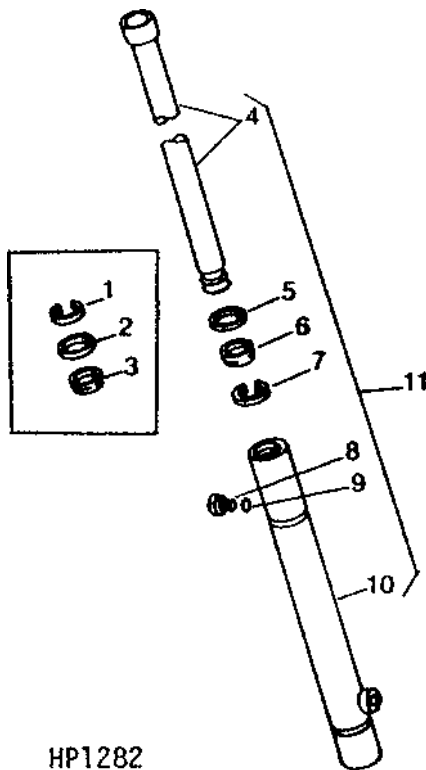
**CROSS AUGER DRIVE (SIDEHILL) - CONTINUED
(RIGID AND FLEXIBLE)**

KEY	PART NO.	PART NAME	QTY	SERIAL NO.	REMARKS
23	14H902	NUT	1		3/4", (SUB FOR 14H904, THIS APPLICATION) (USE WITH 11H237)
24A	03H2113	BOLT	1	-431350	1/2" X 2"
	12H301	LOCK WASHER	1	-431350	1/2"
	14H1040	NUT	1	-431350	1/2"
24B	03H1500	BOLT	2	431351-	3/8" X 1"
	12H304	LOCK WASHER	2	431351-	3/8"
	14H812	NUT	2	431351-	3/8"
25A	H87121	SPACER	1	-431350	
25B	H98792	WASHER	1	431351-	
26A	AN31211	CHAIN SPROCKET	1		5/8" BORE, 15 TEETH
26B	AH20443	CHAIN SPROCKET	1	431351-	1/2" BORE, 15 TEETH
27A	H95141	STRAP	1	317201-431350	
27B	AH97342	STRAP	1	431351-	
28A	19H1731	CAP SCREW	2	317201-431350	3/8" X 1"
	N10215	LOCK NUT	2	317201-431350	
28B	03H1500	BOLT	2	431351-	3/8" X 1"
	12H304	LOCK WASHER	2	431351-	3/8"
	14H812	NUT	2	431351-	3/8"
29	24H1111	WASHER	1	-431350	17/32" X 1-1/16" X 0.090"
30	H87059	SNAP RING	1		
31	H88092	SHIELD	1		(213) (SLIP CLUTCH)
	AH88540	SHIELD	1		(215, 216, 218, 220, 222) (SLIP CLUTCH)
32	AH89536	SHIELD	1		(220) (SLIP CLUTCH)
	AH89537	SHIELD	1		(215, 216 AND 222) SLIP CLUTCH, (SUB FOR AH89533 AND AH89534)
33	AN102010	BEARING	1		
34	C3994E	PRESSED FLANGED HOUSING	2	-620300	
	H103265	PRESSED FLANGED HOUSING	2	620301-	
35	H88270	ANGLE	1		
36	H134082	BRACKET	1	620501-	(SUB FOR H88090)
37	E74026	DECAL	2		"DANGER" (DRIVE SHAFT)
38	H88271	SHIELD	1	-620500	(SUB H134062 AND H134063)
	H134062	SHIELD	1	620501-	R.H.
	H134063	SHIELD	1	620501-	L.H.

MEMORANDA

HP1282 -UN-01JAN94

HYDRAULIC LIFT REEL SLAVE CYLINDER (L.H. END)



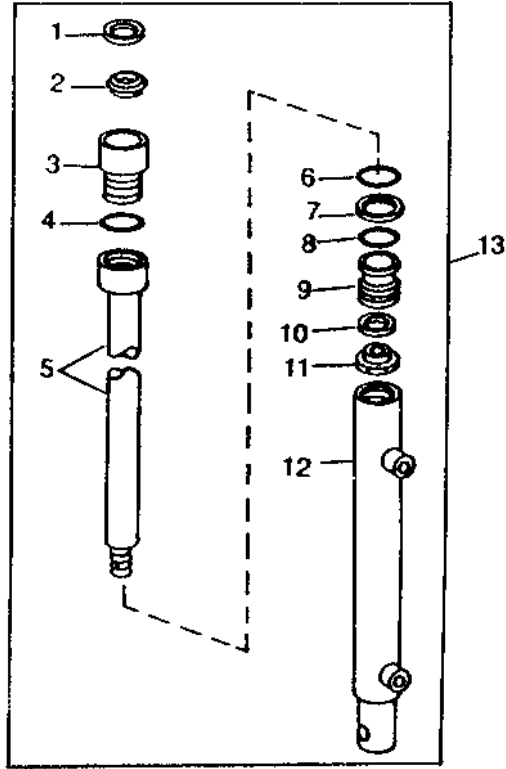
HP1282

KEY	PART NO.	PART NAME	QTY	SERIAL NO.	REMARKS
1	SNAP RING	1	-530050	(A) (SUB AH87267)
2	SEAL	1	-530050	(A) (SUB AH87267)
3	AH87264	SEAL	1	-530050	(A)
4	ROD	1	-530050	(SUB AH75421)
	AH109898	PISTON	1	530051-	
5	AP26337	SEAL	1	530051-	(B)
6	AH87265	SEAL	1	530051-	(B)
7	RING	1	530051-	(B)
8	H35248	SCREW	1		(A)
9	H35247	WASHER	1		(A) (B)
10	HYDRAULIC CYLINDER BARREL	1		(SUB AH75421)
	AH109856	HYDRAULIC CYLINDER	1	530051-	
11	AH75421	CYLINDER	1	-225045	(SUB AH93324)
	AH93324	HYDRAULIC CYLINDER	1	-530050	(NEW COMPONENT)
	AH108016	HYDRAULIC CYLINDER	1	530051-600000	(SUB AH115397)
	AH115397	HYDRAULIC CYLINDER	1		
..	AH87267	KIT	1		SEAL REPAIR
..	AH109857	SEAL KIT	1	530051-	SEAL REPAIR

MEMORANDA

HP1283 -UN-01JAN94

HYDRAULIC LIFT REEL MASTER CYLINDER (R.H. END)



HP1283

KEY	PART NO.	PART NAME	QTY	SERIAL NO.	REMARKS
1	AP26337	SEAL	1	-530050	(A)
	SEAL	1	530051-	(B)
2	AH87265	SEAL	1	-530050	(A)
	O-RING	1	530051-	
	WASHER	1	530051-	
3	H63857	BEARING	1	-225045	(SUB H95086)
	H95086	BEARING	1	-530050	
	H111845	BEARING	1	530051-	
4	H35256	RING	1	-530050	(A)
	N31773	O-RING	1	530051-	(B)
5	H80631	ROD	1	-530050	(NO LONGER AVAILABLE)
	AH109859	PISTON	1	530051-	
6	O-RING	1	530051-	(B)
7	H63859	PISTON RING	1	-530050	(A)
	RING	1	530051-	(B)
8	H63858	O-RING	1	-530050	(A)
	U15415	O-RING	1	530051-	(B)
9	H63856	PISTON	1	-530050	
	H111844	PISTON	1	530051-	
10	E51350	WASHER	1		
11	H63860	LOCK NUT	1		(NO LONGER AVAILABLE)
12	AH78650	HYDRAULIC CYLINDER BARREL	1	-530050	(NO LONGER AVAILABLE)
	AH109858	HYDRAULIC CYLINDER	1	530051-	
13	AH75420	CYLINDER	1	-225045	(SUB AH93323)
	AH93323	CYLINDER	1	-530050	(NEW COMPONENT)
	AH108017	HYDRAULIC CYLINDER	1	530051-600000	(SUB AH115398)
	AH115398	HYDRAULIC CYLINDER	1		

KIT LISTED BELOW CONSISTS OF ALL PARTS IDENTIFIED BY AN (A)

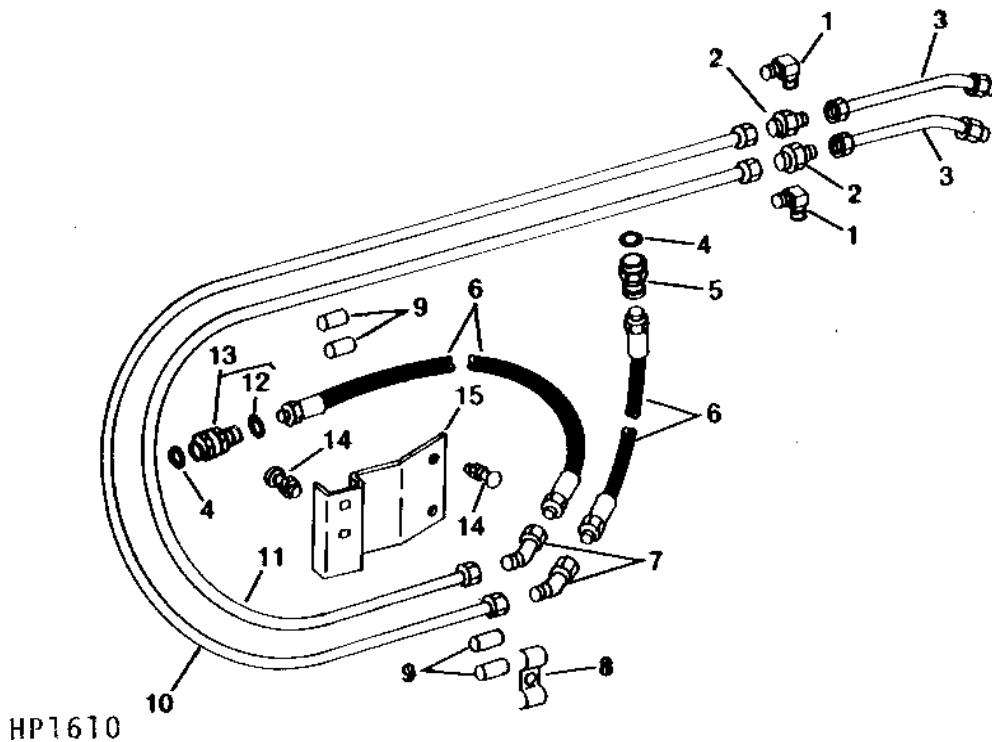
..	AH135857	SEAL KIT	1	-530050	(SUB FOR AH87266)
----	----------	----------	---	---------	-------------------

KIT LISTED BELOW CONSISTS OF ALL PARTS IDENTIFIED BY A (B)

..	AH109860	SEAL KIT	1	530051-	SEAL REPAIR
----	----------	----------	---	---------	-------------

HYDRAULIC DRIVE REEL LINES
(RIGID AND FLEXIBLE)
(SERIAL NO. -600000)

HP1610 -UN-01JAN94

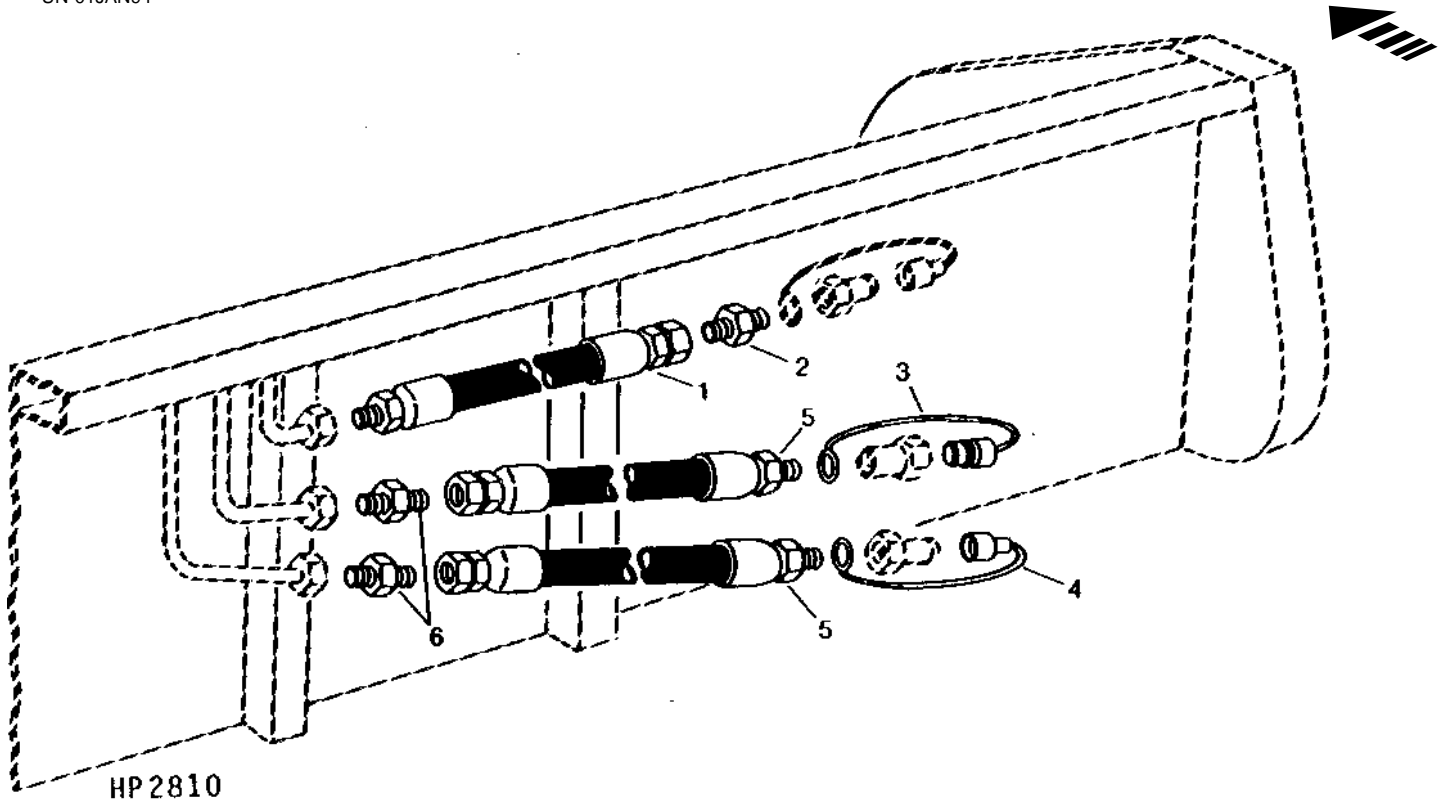


**HYDRAULIC DRIVE REEL LINES - CONTINUED
(RIGID AND FLEXIBLE)
(SERIAL NO. -600000)**

KEY	PART NO.	PART NAME	QTY	SERIAL NO.	REMARKS
1	AH75164	ELBOW FITTING	2		(213) (90°)
2	R34063	FITTING	2		(215, 216, 218, 220, 222, 224, AND 230)
3	AH88579	LINE	2	-600000	R.H., 230 MM (8") LONG (215) (SUB AH88580)
	AH88580	LINE	2		R.H., 318 MM (12-1/2") LONG (216)
	AH88581	LINE	2		R.H., 622 MM (24-1/2") LONG (218)
	AH88582	LINE	2		R.H., 927 MM (36-1/2") LONG (220)
	AH88583	LINE	2		R.H., 1232 MM (48-1/2") LONG (222)
	AH88584	LINE	2		R.H., 1537 MM (60-1/2") LONG (224)
	AH98303	LINE	2	365601-	R.H., 2451 MM (96-1/2") (230)
4	R26375	O-RING	2		
5	AH15000	HYD. QUICK-CONNECT COUPLER	1	-600000	(SUB AR94522, THIS APPLICATION)
	AR94522	INTERNAL HALF COUPLER	1		
6	AH80070	HYDRAULIC HOSE	2	-317200	13 MM X 1626 MM (1/2" I.D. X 64") LONG, (3300 AND 6600 WITH REGULAR FEEDER HOUSE; 4400 WITH LONG FEEDER HOUSE)
	AH88588	HYDRAULIC HOSE	2	317201-	13 MM X 1829 MM (1/2" I.D. X 72") LONG, (4400 AND 4420 WITH LONG FEEDER HOUSE; 6600 AND 6620 WITH REGULAR FEEDER HOUSE)
	AH88586	HYDRAULIC HOSE	2	-317200	13 MM X 1499 MM (1/2" I.D. X 59") LONG, (4400 AND 7700 WITH REGULAR FEEDER HOUSE)
	AH80070	HYDRAULIC HOSE	2	317201-	13 MM X 1626 MM (1/2" I.D. X 64") LONG, (4400, 7700, 4420, AND 7720 WITH REGULAR FEEDER HOUSE; 8820 WITH LONG FEEDER HOUSE)
	AH88587	HOSE	2	-269409	13 MM X 1981 MM (1/2" I.D. X 78") LONG (6600 WITH LONG FEEDER HOUSE) (SUB AH80381)
	AH80381	HYDRAULIC HOSE	2	-317200	13 MM X 1981 MM (1/2" I.D. X 78") LONG (6600 WITH LONG FEEDER HOUSE)
	AH97009	HYDRAULIC HOSE	2	317201-	13 MM X 2108 MM (1/2" I.D. X 83") LONG (6600 AND 6620 WITH LONG FEEDER HOUSE)
	AH88588	HYDRAULIC HOSE	2	-317200	13 MM X 1829 MM (1/2" I.D. X 72") LONG (7700 WITH LONG FEEDER HOUSE)
	AH80381	HYDRAULIC HOSE	2	317201-	13 MM X 1981 MM (1/2" I.D. X 78") LONG (7700 AND 7720 WITH LONG FEEDER HOUSE)
	AH88586	HYDRAULIC HOSE	2	365601-	13MM X 1829 MM (1/2" I.D. X 72") LONG, (8820 WITH REGULAR FEEDER HOUSE)
7	AH19770	ELBOW FITTING	2		45° (SIDEHILL)
8	H87266	CLAMP	1		
9	H22979	BUSHING	6	-317200	
	H22979	BUSHING	AR	317201-	(213 AND 215-4 USED; 216, 218, 220, 222, AND 224-6 USED)
	H22979	BUSHING	8	365601-	(230)
10	AH88567	LINE	1	-317200	MIDDLE
	AH90627	LINE	1	317201-	MIDDLE (FRONT)
11	AH88566	LINE	1	-317200	MIDDLE
	AH90626	LINE	1	317201-	MIDDLE (REAR)
12	P45750	O-RING	1		
13	AH75167	HYD. QUICK-CONNECT COUPLER	1		
14	19H1900	CAP SCREW	4		5/16" X 3/4", (213, 215, AND 216)
	N10213	LOCK NUT	4		
	19H1900	CAP SCREW	4	-268385	5/16" X 3/4", (218, 220, 222, 224, AND 230)
	N10213	LOCK NUT	4	-268385	(218, 220, 222, 224 AND 230)
15	H88394	BRACKET	1	-317200	(213, 215, AND 216)
	H88394	BRACKET	1	-268385	(218, 220, 222, 224 AND 230)

HOSES AND CONECTORS TO CONVERT
PLATFORMS (-600000) FOR COMBINES (600001-)

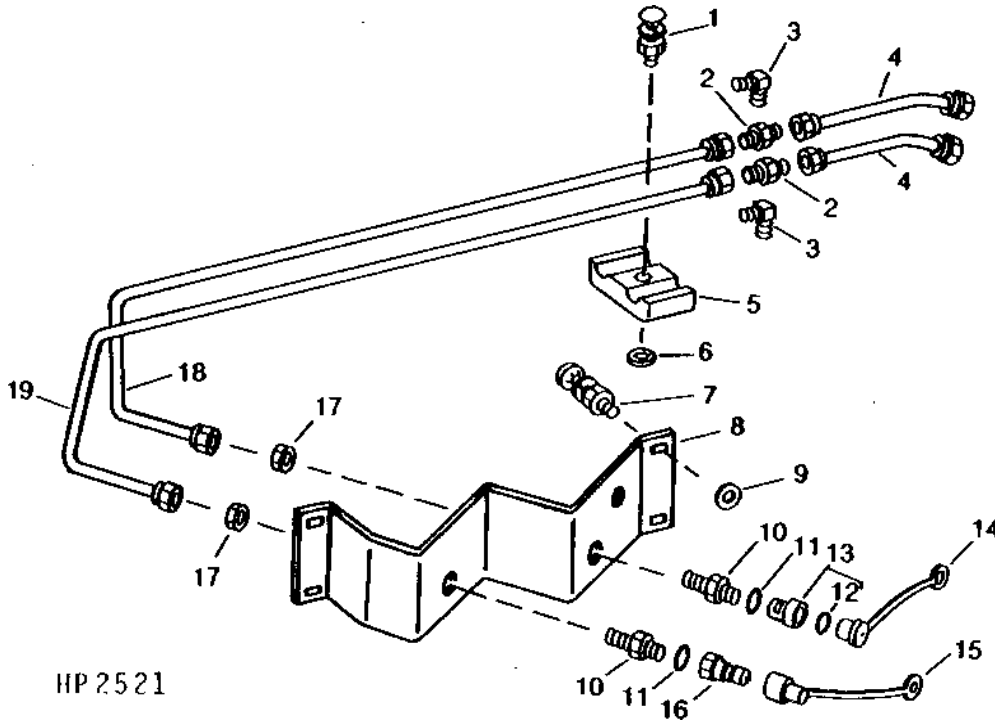
HP2810 -UN-01JAN94



KEY	PART NO.	PART NAME	QTY	SERIAL NO.	REMARKS
1	AT23503	HYDRAULIC HOSE - FABRICATE	1		
2	R26892	FITTING	2		
3	AW17006	PLUG	1		
4	A15898	CAP	1		
5	AN180656	HYDRAULIC HOSE	2		
6	R34063	FITTING	1		

HYDRAULIC DRIVE REEL LINES
(RIGID AND FLEXIBLE)
(SERIAL NO. 600001-)

HP2521 -UN-01JAN94



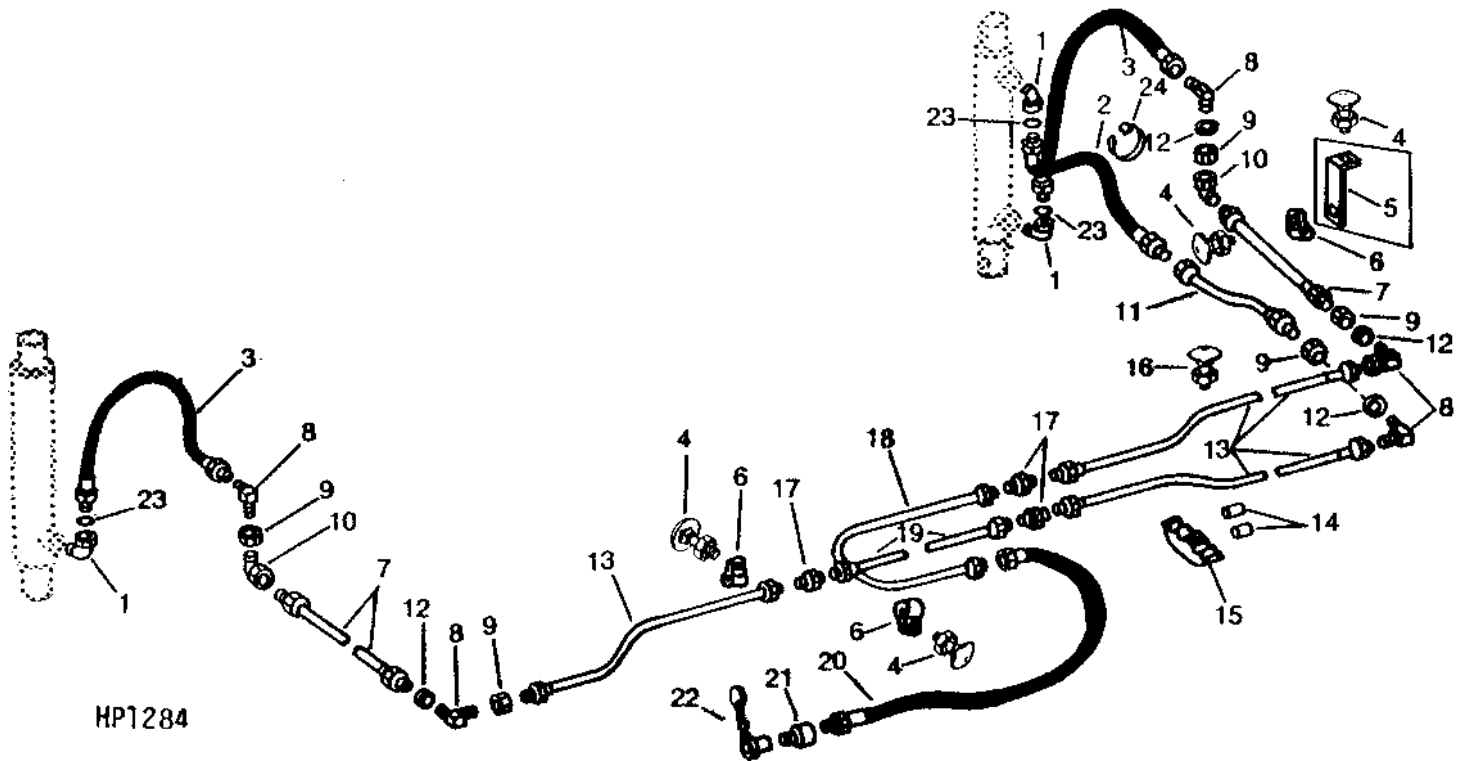
KEY	PART NO.	PART NAME	QTY	SERIAL NO.	REMARKS
1	03H1769	BOLT	AR	1/4" X 2", (213 ONLY)	
	03H2163	BOLT	AR	1/4" X 1-3/4", (215,216,218,220,222,224,230)	
	12H302	LOCK WASHER	AR	1/4"	
	14H786	NUT	AR	1/4"	
2	R34063	FITTING	2	(215,216,218,220,222,224,230)	
3	AH75164	ELBOW FITTING	2	(213)	
4	AH88580	LINE	2	R.H., 318 MM (12-1/2") LONG (215 AND 216)	
	AH88581	LINE	2	R.H., 622 MM (24-1/2") LONG (218)	
	AH88582	LINE	2	R.H., 927 MM (36-1/2") LONG (220)	
	AH88583	LINE	2	R.H., 1232 MM (48-1/2") LONG (222)	
	AH88584	LINE	2	R.H., 1537 MM (60-1/2") LONG (224)	
	AH98303	LINE	2	R.H., 2451 MM (96-1/2") LONG (230)	
5	H108245	CLAMP	AR	(213-2 USED; 215,216,218,220,222-3 USED; 224,230-4 USED)	
6	24H1287	WASHER	AR	9/32" X 5/8" X 0.065"	
7	03H1540	BOLT	4	5/16" X 3/4"	
	12H303	LOCK WASHER	4	5/16"	
	14H785	NUT	4	5/16"	
8	H112847	BRACKET	1		
9	24H1136	WASHER	4	11/32" X 11/16" X 0.065"	
10	H115890	UNION FITTING	2		
11	R26375	O-RING	2		
12	P45750	O-RING	1		
13	AH75167	HYD. QUICK-CONNECT COUPLER	1		
14	AW17006	PLUG	1		
15	A15898	CAP	1		
16	AH15000	HYD. QUICK-CONNECT COUPLER	1		
17	14H904	NUT	2	3/4"	
18	AH111052	LINE	1	MIDDLE, FRONT	
19	AH111053	LINE	1	MIDDLE, REAR	

J1

HYDRAULIC LIFT REEL OIL LINES (RIGID AND FLEXIBLE) (SERIAL NO. -600000)

HP1284

-UN-01JAN94



**HYDRAULIC LIFT REEL OIL LINES (RIGID AND FLEXIBLE) - CONTINUED
(SERIAL NO. -600000)**

KEY	PART NO.	PART NAME	QTY	SERIAL NO.	REMARKS
1	P47478	ELBOW FITTING	3	-530050	90°
	AT35121	ELBOW FITTING	3		90°, (SUB FOR AR26725)
2	AH20720	HYDRAULIC HOSE	1	-530050	6 MM X 457 MM (1/4" I.D. X 18") LONG
	AH108253	HOSE	1	530051-	6MM X 864 M,M (1/4" I.D. X 34") LONG
3	AH88563	HYDRAULIC HOSE	2	-530050	6 MM X 432 MM (1/4" I.D. X 17") LONG
	AH108252	HOSE	2	530051-	6 MM X 432 MM (1/4" I.D. X 17") LONG
4	03H1540	BOLT	5		5/16" X 3/4"
	14H785	NUT	5		5/16"
5	H87268	BRACKET	1	-530050	
6	AH76882	CLIP	3	-530050	INSULATED
	AH76882	CLIP	2	530051-	INSULATED
7	AH88565	LINE	2		254 MM (10") LONG
8	H75413	ELBOW FITTING	5		90°
9	14H832	NUT	5		9/16"
10	AE24616	ELBOW FITTING	2		90°
11	AH88564	LINE	1		
12	24H1357	WASHER	4		19/32" X 1-5/32" X 0.090"
13	AH88570	LINE	AR	-317200	(213) (2 USED, R.H.; 1 USED, L.H.)
	AH95990	LINE	AR	317201-	(213) (2 USED, R.H.; 1 USED, L.H.)
	AH88572	LINE	AR	-317200	(215) (2 USED, R.H.; 1 USED, L.H.) (NO LONGER AVAILABLE)
	AH95991	TUBE	AR	317201-	(215) (2 USED, R.H.; 1 USED, L.H.)
	AH88573	LINE	AR	-317200	(216) (2 USED, R.H.; 1 USED, L.H.) (NO LONGER AVAILABLE)
	AH95992	LINE	AR	317201-	(216) (2 USED, R.H.; 1 USED, L.H.)
	AH88574	LINE	AR	-317200	(218) (2 USED, R.H.; 1 USED, L.H.) (NO LONGER AVAILABLE)
	AH95993	LINE	AR	317201-	(218) (2 USED, R.H.; 1 USED, L.H.)
	AH88575	LINE	AR	-317200	(220) (2 USED, R.H.; 1 USED, L.H.) NO LONGER AVAILABLE)
	AH95994	LINE	AR	317201-	(220) (2 USED, R.H.; 1 USED, L.H.)
	AH88576	LINE	AR	-317200	(222) (2 USED, R.H.; 1 USED, L.H.) (NO LONGER AVAILABLE)
	AH95995	LINE	AR	317201-	(222) (2 USED, R.H.; 1 USED, L.H.)
	AH88577	LINE	AR	-317200	(224) (2 USED, R.H.; 1 USED, L.H.) (NO LONGER AVAILABLE)
	AH90630	LINE	AR	317201-	(224) (2 USED, R.H.; 1 USED, L.H.)
	AH90629	LINE	AR	365601-	(230) (2 USED, R.H.; 1 USED, L.H.)
14	H23932	ISOLATOR	AR	-317200	(213-4 USED; 215,216,218,220,222,AND 224-6 USED)
	H23932	ISOLATOR	AR	317201-	(213 AND 215-4 USED; 216, 218, 220, 222, AND 224-6 USED)
	H23932	ISOLATOR	8	365601-	(230)
15	H87264	CLAMP	AR	-317200	(213-2 USED; 215,216,218,220,222,AND 224-3 USED)
	H87264	CLAMP	AR	317201-	(213 AND 215-2 USED; 216,218,220,222,AND 224-3 USED)
	H87264	CLAMP	4	365601-	(230)
16	03H1505	BOLT	AR	-317200	5/16" X 1-3/4", (213-2 USED; 215, 216, 218, 220, 222, AND 224-3 USED)
	03H1505	BOLT	AR	317201-	5/16" X 1-3/4", (213 & 215-2 USED; 216, 218, 220, 222, AND 224-3 USED; 230-4 USED)
	N10213	LOCK NUT	AR		

HYDRAULIC LIFT REEL OIL LINES (RIGID AND FLEXIBLE) - CONTINUED
(SERIAL NO. -600000)

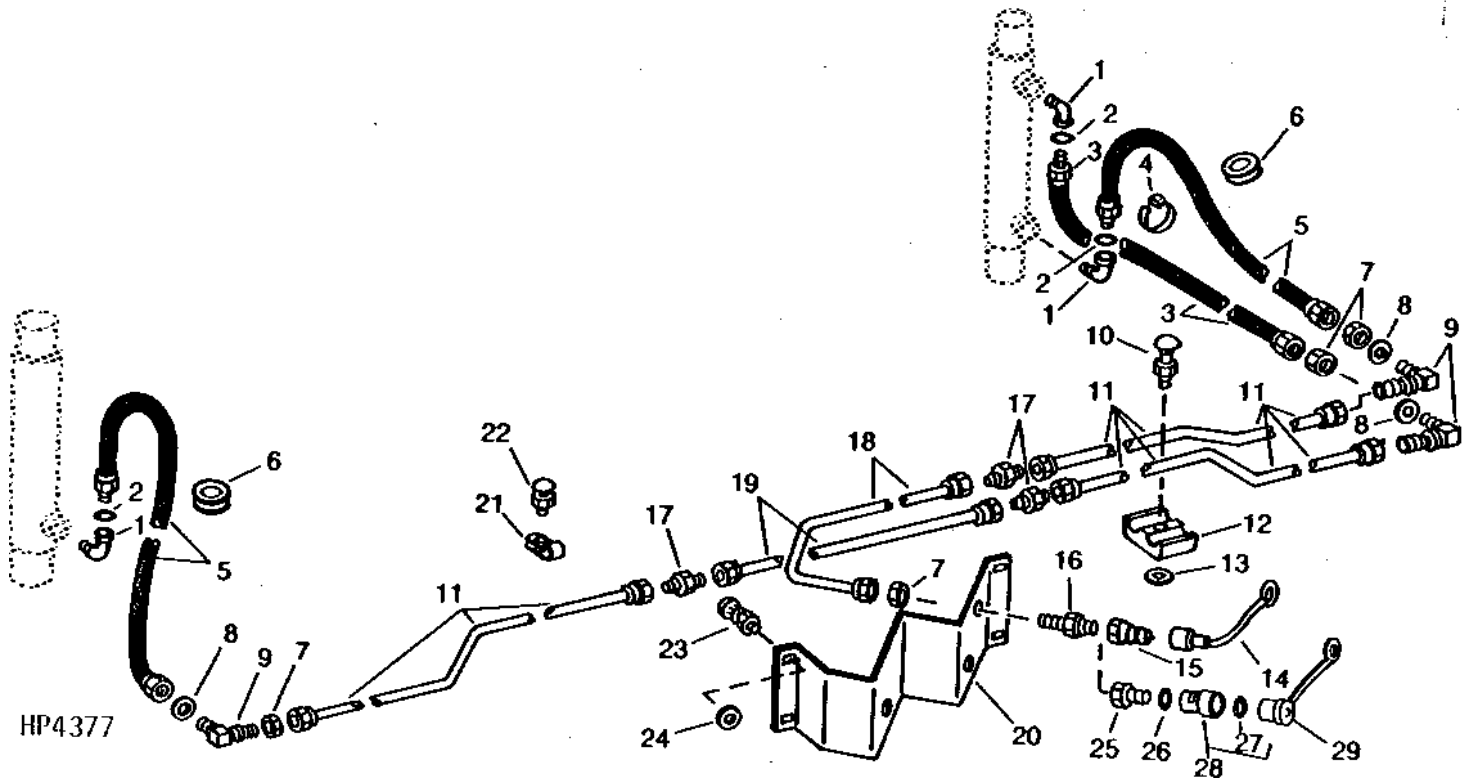
KEY	PART NO.	PART NAME	QTY	SERIAL NO.	REMARKS
17	R27095	FITTING	3		
18	AH88568	LINE	1	-317200	MIDDLE, BENT (NO LONGER AVAILABLE)
	AH90628	LINE	1	317201-	MIDDLE, BENT
19	AH88569	LINE	1	-317200	MIDDLE, STRAIGHT
	AH90631	LINE	1	317201-	MIDDLE, STRAIGHT
20	AH62037	LINE	1	-317200	6 MM X 1727 MM (1/4" I.D. X 68") LONG, (SUB AH20711) (4400 AND 7700 COMBINES WITH REGULAR FEEDER HOUSE)
	AH78617	HYDRAULIC HOSE	1	317201-	6 MM X 1829 MM (1/4" I.D. X 72") LONG, (4400, 7700, 4420, AND 7720 COMBINES WITH WITH REGULAR FEEDER HOUSE; 8820 COMBINE WITH LONG FEEDER HOUSE)
	AH78617	HYDRAULIC HOSE	1	-317200	6 MM X 1829 MM (1/4" I.D. X 72") LONG, (3300 AND 6600 COMBINE WITH REGULAR FEEDER HOUSE; 4400 COMBINE WITH LONG FEEDER HOUSE)
	AH80071	HYDRAULIC HOSE	1	317201-	6 MM X 2083 MM (1/4" I.D. X 82") LONG, (4400 AND 4420 COMBINES WITH LONG FEEDER HOUSE; 6600 AND 6620 COMBINES WITH REGULAR FEEDER HOUSE)
	AH80071	HYDRAULIC HOSE	1	-317200	6 MM X 2083 MM (1/4" I.D. X 82") LONG, (7700 COMBINE WITH LONG FEEDER HOUSE)
	AH88585	HYDRAULIC HOSE	1	317201-	6 MM X 2210 MM (1/4" I.D. X 87") LONG, (7700 AND 7720 COMBINES WITH LONG FEEDER HOUSE)
	AH88585	HYDRAULIC HOSE	1	-317200	6 MM X 2210 MM (1/4" I.D. X 87") LONG, (6600 COMBINE WITH LONG FEEDER HOUSE)
	AH97008	HYDRAULIC HOSE	1	317201-	6 MM X 2337 MM (1/4" I.D. X 92") LONG, (6600 AND 6620 COMBINES WITH LONG FEEDER HOUSE)
21	AH15939	HYD. QUICK-CONNECT COUPLER	1		
22	AH83821	CAP	1		
23	R26448	O-RING	3	530051-	
24	M66044	TIE BAND	1	530051-	

J5

HP4377

-UN-01JAN94

REEL LIFT OIL LINES
(SERIAL NO. 600001-)



HP4377

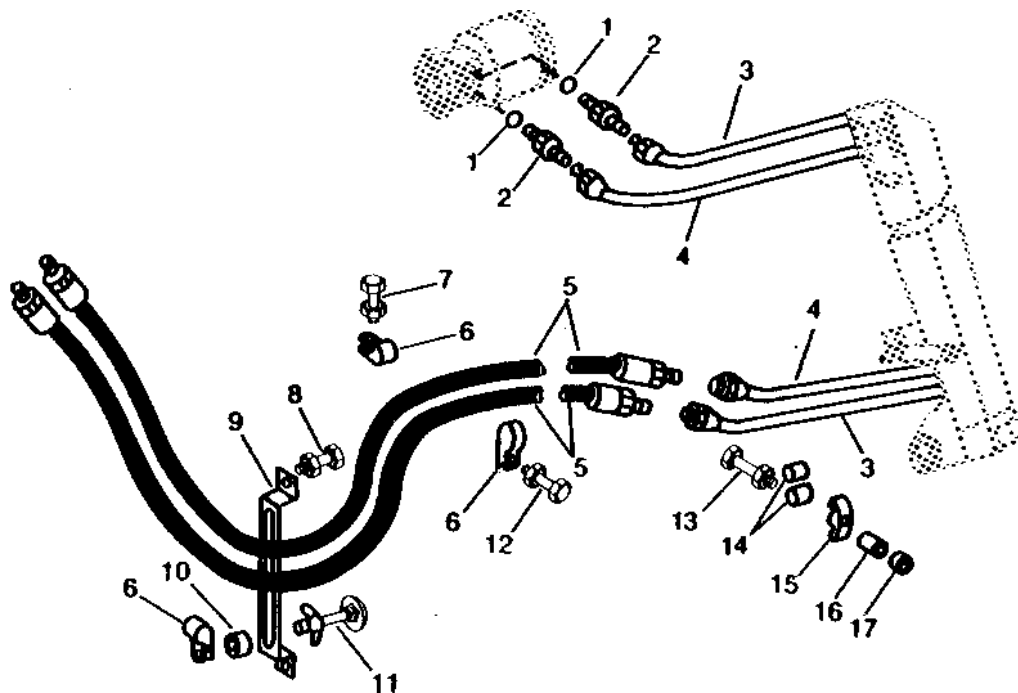
REEL LIFT OIL LINES - CONTINUED
(SERIAL NO. 600001-)

KEY	PART NO.	PART NAME	QTY	SERIAL NO. OR YEAR	REMARKS
1	AT35121	ELBOW FITTING	3		90°, (SUB FOR AR26725)
2	R26448	O-RING	3		
3	AH94856	HYDRAULIC HOSE	1		6 MM X 838 MM (1/4" I.D. X 33") LONG
4	M66044	TIE BAND	1		
5	AH97702	HYDRAULIC HOSE	2		6 MM X 787 MM (1/4" I.D. X 31") LONG
6	R50636	GROMMET	2		
7	14H832	NUT	4		9/16"
8	24H1357	WASHER	3		19/32" X 1-5/32" X 0.090"
9	H75413	ELBOW FITTING	3		
10	03H2163	BOLT	AR		1/4" X 1-3/4"
	12H302	LOCK WASHER	AR		1/4"
	14H786	NUT	AR		1/4"
11	AH95990	LINE	AR		(213) (2 USED, R.H.; 1 USED, L.H.)
	AH95991	TUBE	AR		(215) (2 USED, R.H.; 1 USED, L.H.)
	AH95992	LINE	AR		(216) (2 USED, R.H.; 1 USED, L.H.)
	AH95993	LINE	AR		(218) (2 USED, R.H.; 1 USED, L.H.)
	AH95994	LINE	AR		(220) (2 USED, R.H.; 1 USED, L.H.)
	AH95995	LINE	AR		(222) (2 USED, R.H.; 1 USED, L.H.)
	AH90630	LINE	AR		(224) (2 USED, R.H.; 1 USED, L.H.)
	AH90629	LINE	AR		(230) (2 USED, R.H.; 1 USED, L.H.)
12	H111752	CLAMP	AR		(213-2 USED; 215,216,218,220,222-3 USED; 224,230-4 USED) 9/32" X 5/8" X 0.065"
13	24H1287	WASHER	AR		
14	AH83821	CAP	1		
15	AH15939	HYD. QUICK-CONNECT COUPLER	1		
16	H115880	UNION FITTING	1		
17	R27095	FITTING	3		
18	AH111054	LINE	1		MIDDLE, BENT
19	AH90631	LINE	1		MIDDLE, STRAIGHT
20	H112847	BRACKET	1		
21	AH76882	CLIP	2		
22	03H2092	BOLT	2		1/4" X 3/4"
	N10217	LOCK NUT	2		
23	03H1540	BOLT	4		5/16" X 3/4"
	12H303	LOCK WASHER	4		5/16"
	14H785	NUT	4		5/16"
24	24H1136	WASHER	4		11/32" X 11/16" X 0.065"
25	H35112	ADAPTER	1	600001-622200	CONVERSION, FOR COMBINES WITH (SERIAL NO. 625101-626800)
26	R26375	O-RING	1	600001-622200	CONVERSION, FOR COMBINES WITH (SERIAL NO. 625101-626800)
27	P45750	O-RING	1	600001-622200	CONVERSION, FOR COMBINES WITH (SERIAL NO. 626101-626800)
28	AH75167	HYD. QUICK-CONNECT COUPLER	1	600001-622200	CONVERSION, FOR COMBINES WITH (SERIAL NO. 625101-626800)
29	H125403	PLUG	1	600001-622200	CONVERSION, FOR COMBINES WITH (SERIAL NO. 625101-626800)

HYDRAULIC DRIVE REEL LINES AND HOSES, BAT REEL (RIGID)

(213,-610350; 215,-610500; 216,-610700; 218,-611000
220,-611200; 222,-611350; 224,-611550; 230,-611700)

HP1866 -UN-01JAN94



HP1866

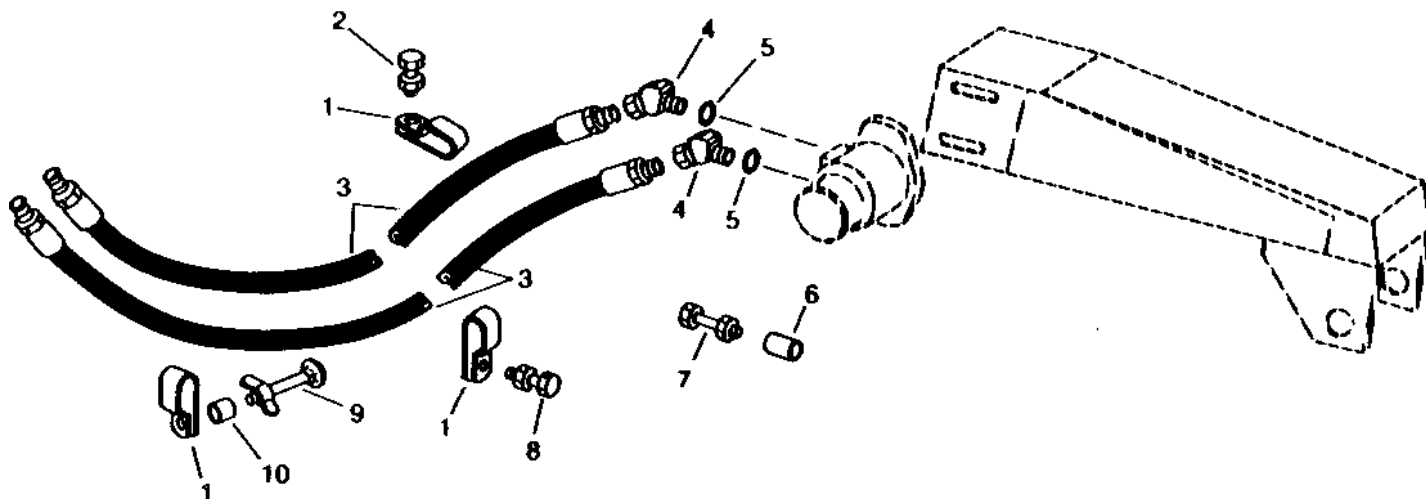
KEY	PART NO.	PART NAME	QTY	SERIAL NO.	REMARKS
1	R26906	O-RING	2		
2	R31665	FITTING	2		
3	AH88912	LINE	1		
4	AH88913	LINE	1		
5	AH88914	HYDRAULIC HOSE	2		2235 MM (88") LONG
6	AH77869	CLIP	3	-365600	
	AH77869	CLIP	2	365601-	
	AH76882	CLIP	1	365601-	
7	19H1900	CAP SCREW	1	-317200	5/16" X 3/4"
	03H1540	BOLT	1	365601-	5/16" X 3/4", (230)
	N10213	LOCK NUT	1		
8	21H1029	SCREW	2	-317200	5/16" X 3/4"
	12H303	LOCK WASHER	2	-317200	5/16"
	14H785	NUT	2	-317200	5/16"
9	H87265	BRACKET	1	-317200	(213, 215, 216, 218, 220, 222, AND 224)
10	28H1495	SPACER	1		3/8" X 1"
11	03H1468	BOLT	1		3/8" X 1-3/4"
	14H827	WING NUT	1		3/8"
12	19H1901	CAP SCREW	1		5/16" X 2"
	N10213	LOCK NUT	1		
13	03H1669	BOLT	1		5/16" X 3/4"
	03H1540	BOLT	1	365601-	5/16" X 3/4", (230)
	N10213	LOCK NUT	1		
14	H22979	BUSHING	2		
15	H87266	CLAMP	1		
16	28H1883	SPACER	1	365601-	1/4" X 1/2"
17	24H1136	WASHER	1	365601-	11/32" X 11/16" X 0.065"

HYDRAULIC DRIVE REEL LINES AND HOSES, BAT REEL (RIGID)

(213,610351-; 215,610501-; 216,610701-; 218,611001-;
220,611201-; 222,611351-; 224,611551-; 230,611701-)

HP2756

-UN-01JAN94

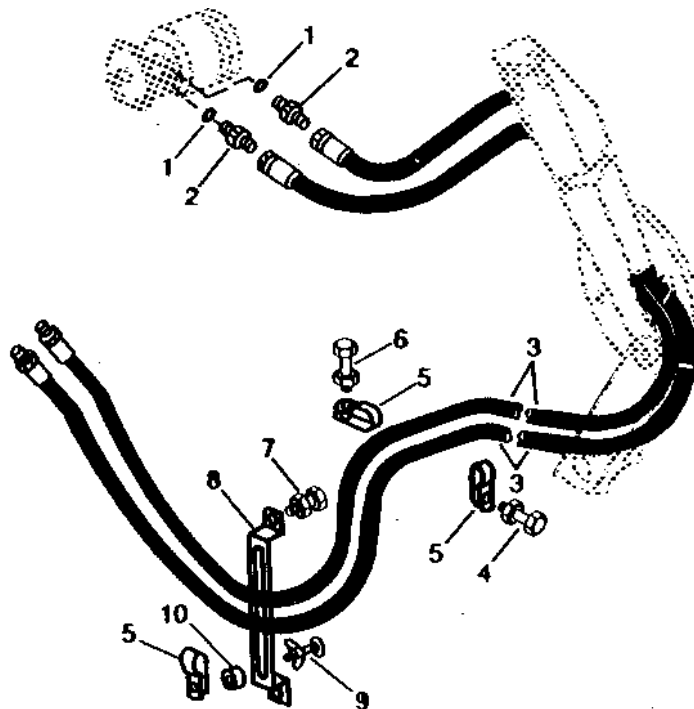


HP2756

KEY	PART NO.	PART NAME	QTY	SERIAL NO.	REMARKS
1	AH77869	CLIP	2		
	AH76882	CLIP	1		
2	03H1540	BOLT	1		5/16" X 3/4", (230)
	N10213	LOCK NUT	1		
3	AH77862	HYDRAULIC HOSE	2		
4	AR26828	ELBOW FITTING	2		45°
5	R26906	O-RING	2		
6	28H1883	SPACER	1		0.364" X 0.540" X 1/2"
7	03H1669	BOLT	1		5/16" X 3/4"
	03H1540	BOLT	1		5/16" X 3/4", (230)
8	19H1901	CAP SCREW	1		5/16" X 2"
	N10213	LOCK NUT	1		
9	03H1468	BOLT	1		3/8" X 1-3/4"
	14H827	WING NUT	1		3/8"
10	28H1495	SPACER	1		0.493" X 0.675" X 1"

HYDRAULIC DRIVE REEL HOSES, PICKUP REEL
(RIGID AND FLEXIBLE)

HP1867 -UN-01JAN94



HP1867

KEY	PART NO.	PART NAME	QTY	SERIAL NO.	REMARKS
1	R26906	O-RING	2		
2	R27270	FITTING	2		(STRAIGHT)
3	AH88562	HYDRAULIC HOSE	2		3962 MM (156") LONG
4	19H1901	CAP SCREW	1		5/16" X 2"
	N10213	LOCK NUT	1		
5	AH77869	CLIP	3		CUSHIONED
6	19H1900	CAP SCREW	1	-317200	5/16" X 3/4"
	N10213	LOCK NUT	1	-317200	
7	21H1029	SCREW	2	-317200	5/16" X 3/4"
	12H303	LOCK WASHER	2	-317200	5/16"
	14H785	NUT	2	-317200	5/16"
8	H87265	BRACKET	1	-317200	(213, 215, 216, 218, 220, 222, AND 224)
9	03H1468	BOLT	1		3/8" X 1-3/4"
	14H827	WING NUT	1		3/8"
10	28H1495	SPACER	1		3/8" X 1"

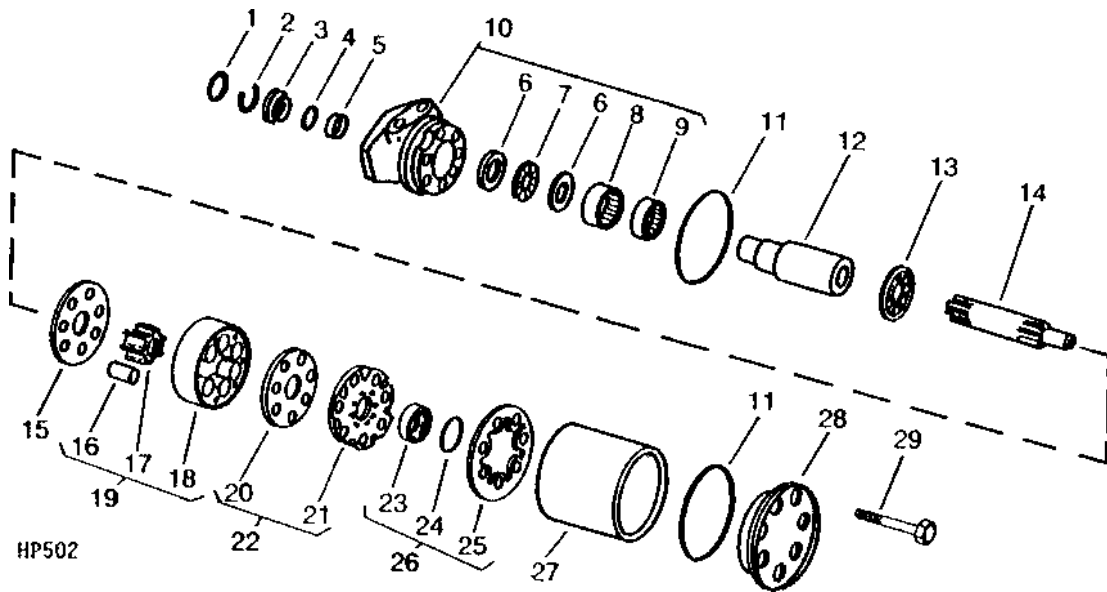
J10

HYDRAULICS

REEL MOTOR (ROSS NO. MAB 16008)
(RIGID AND FLEXIBLE)

HP502

-UN-01JAN94



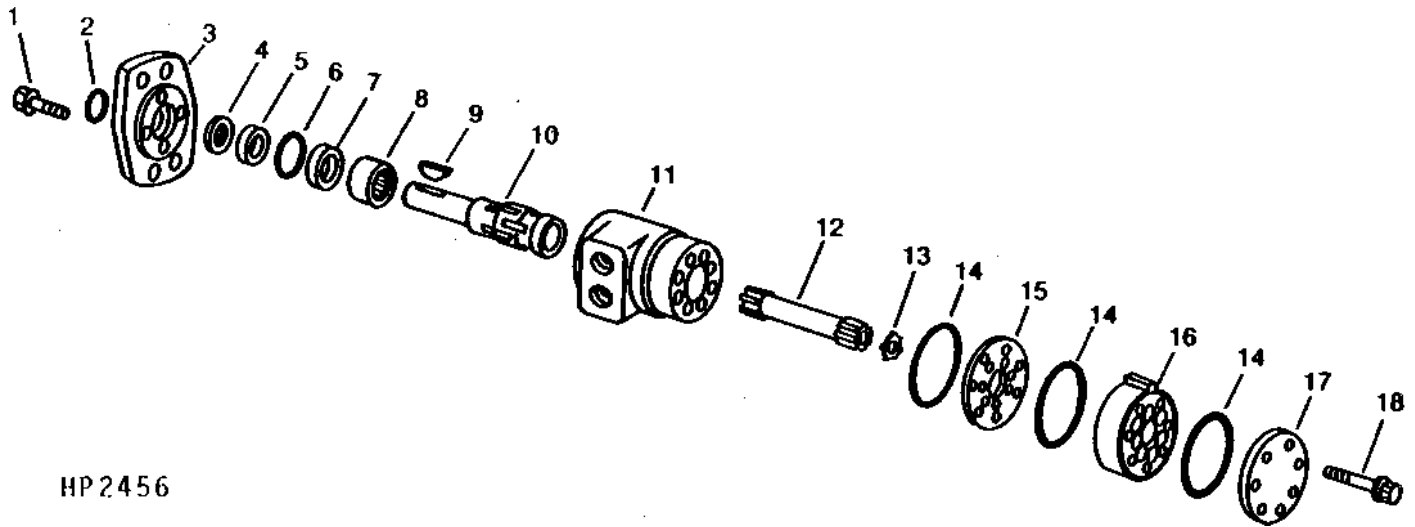
KEY	PART NO.	PART NAME	QTY	SERIAL NO.	REMARKS
1	COMMUTATOR HOUSING	1	(A)	
2	RING	1	(A)	
3	SPACER	1	(A)	
4	H85803	WASHER	1	(A)	
5	SEAL	1	(A)	
6	H85794	WASHER	2		
7	AH86808	THRUST BEARING	1		
8	AH86809	NEEDLE BEARING	1		
9	JD8870	NEEDLE BEARING	1		
10	AH86807	HOUSING	1		
11	H85800	WASHER	2	(A)	
12	H85795	SHAFT	1		
13	JD8841	THRUST BEARING	1	-353000	(SUB AH103757, THIS APPLICATION)
	AH103757	THRUST BEARING	1		
14	H85796	LINK	1		
15	H85797	PLATE	1		
16	VANE	1		
17	ROTOR	1		
18	STATOR	1		(INCLUDES RING)
19	AH86810	ROTOR	1		
20	H85805	PLATE	1	-378683	(SUB AH103809)
21	H85798	MANIFOLD	1	-353000	(SUB AH103809)
22	AH103809	PLATE	1		
23	SWITCH	1		(COMMUTATOR)
24	H85806	RING	1	(A)	
25	RING	1		(COMMUTATOR)
26	AH86813	COMMUTATOR HOUSING	1		(INCLUDES RING AND SEALING RING)
27	H85801	BUSHING	1		
28	AH86814	COVER	1		
29	H85807	BOLT	7		(SPECIAL) UNF, 3/8" X 3-7/8"
..	AH83835	MOTOR	1		(NEW COMPONENT)
..	AH83836	KIT	1		KIT, SEAL

KIT LISTED BELOW CONSISTS OF ALL PARTS IDENTIFIED BY AN (A)

J11

REEL MOTOR (CHAR-LYNN NO. 126-1101-108)

HP2456 -UN-01JAN94



HP 2456

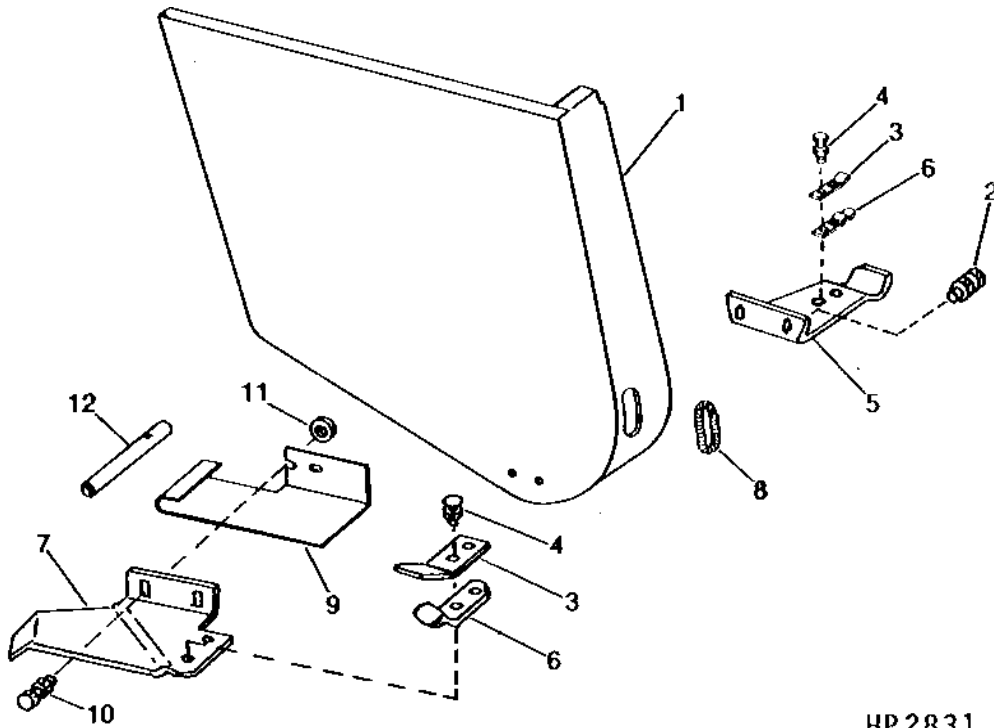
KEY	PART NO.	PART NAME	QTY	SERIAL NO.	REMARKS
1	N132503	BOLT	4		
2	SEAL	1	(A)	
3	H122141	FLANGE	1		
4	WASHER	1	(A)	
5	SEAL	1	(A)	
6	SEAL	1	(A)	
7	H122143	THRUST BEARING	1		
8	AH118381	NEEDLE BEARING	1		
9	26H22	SHAFT KEY	1	1/4" X 1"	
10	H122142	SHAFT	1		
11	HOUSING	1	(SUB AH83835)	
12	H122139	DRIVE	1		
13	H122140	SPACER	1		
14	SEAL	3	(A)	
15	H106807	SPACER	1		
16	AH118380	ROTOR	1	(GEROLER ASSEMBLY)	
17	H106806	SEAL KIT	1		
18	H122138	CAP SCREW	7	(213,-615409; 215,-615551; 216,-615843; 218,-616175; 220,-616495; 222,-616343; 224,-616758; 230,-616871) (SUB N130453)	
	N130453	BOLT	7		
..	AH83835	MOTOR	1		
KIT LISTED BELOW CONSISTS OF ALL PARTS IDENTIFIED BY AN (A).					
..	AH118382	SEAL KIT	1	(TO REPAIR AH83835 MOTOR)	

J13

IDLERS, TIGHTENERS, AND SHIELDS

HP2831 -UN-01JAN94

SHIELD (RIGID AND FLEXIBLE)



HP 2831

KEY	PART NO.	PART NAME	QTY	SERIAL NO.	REMARKS
1	AH88559	SHIELD	1	-584250	L.H.
	AH113432	SHIELD	1	584251-	L.H.
	AH88889	SHIELD	1		R.H.
2	03H1765	BOLT	2		3/8" X 3/4"
	N10215	LOCK NUT	2		
3	H92618	REINFORCEMENT	2		
4	21H1226	SCREW	4		5/16" X 7/8"
	N10213	LOCK NUT	4		
5	H89114	SUPPORT	1		R.H.
6	H78884	LATCH	2		
7	H89115	SUPPORT	1		L.H.
8	CONDUIT	1	-584250	305 MM (12") LONG, (CUT FROM H88857) (L.H. SHIELD ONLY)
9	H92470	RUNNER	1	267451-620300	L.H.
	H132654	RUNNER	1	620301-	L.H.
10	03H1480	BOLT	2	267451-	3/8" X 1-1/4"
	12H304	LOCK WASHER	2	267451-	3/8"
	14H812	NUT	2	267451-	3/8"
11	24H1308	WASHER	2	267451-	13/32" X 1" X 0.134"
12	H92469	PIN	1	267451-	(L.H. TILT)

MEMORANDA

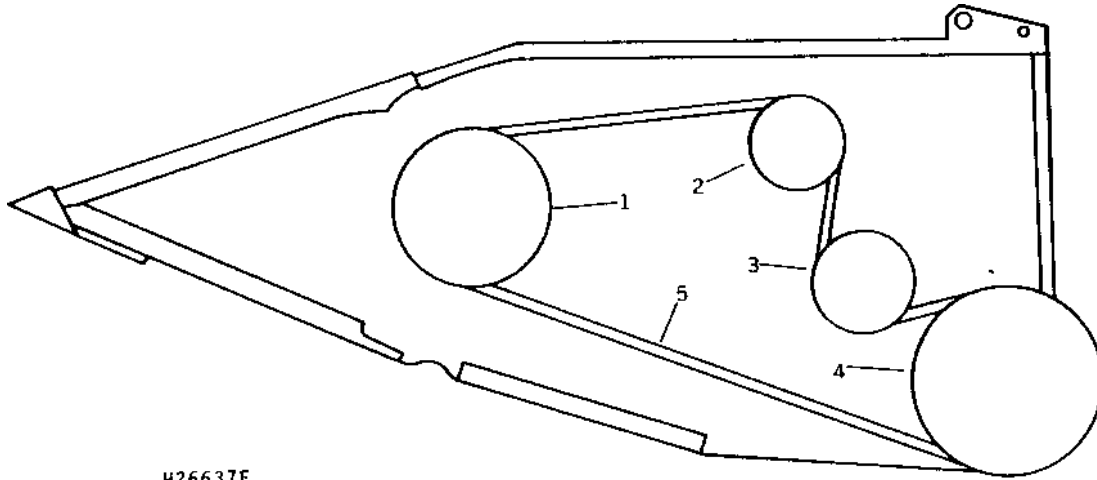
J15

BELTS, CHAINS, SHEAVES, SPROCKETS, AND DECALS

DRIVE BELT, SHEAVES, AND TIGHTENERS ON LEFT-HAND SIDE

H26637

-UN-01JAN94



H26637F

KEY	PART NO.	PART NAME	QTY	SERIAL NO.	REMARKS
1	E48349	SHEAVE	1	-620500	(SUB E78705) 279 MM (11") DIA. (213)
	E78705	SHEAVE	1		279 MM (11") DIA. (213)
	E48349	SHEAVE	1	-620800	(SUB E78705) 279 MM (11") DIA. (215)
	E78705	SHEAVE	1		279 MM (11") DIA. (215)
	E48349	SHEAVE	1	-621250	(SUB E78705) 279 MM (11") DIA. (216)
	E78705	SHEAVE	1		279 MM (11") DIA. (216)
	E48349	SHEAVE	1	-621250	(SUB E78705) 279 MM (11") DIA. (218)
	E78705	SHEAVE	1		279 MM (11") DIA. (218)
	E48349	SHEAVE	1	-622100	(SUB E78705) 279 MM (11") DIA. (220)
	E78705	SHEAVE	1		279 MM (11") DIA. (220)
	E48349	SHEAVE	1	-621800	(SUB E78705) 279 MM (11") DIA. (222)
	E78705	SHEAVE	1		279 MM (11") DIA. (222)
	E48349	SHEAVE	1	-622200	(SUB E78705) 279 MM (11") DIA. (224)
	E78705	SHEAVE	1		279 MM (11") DIA. (224)
	E48349	SHEAVE	1	-622100	(SUB E78705) 279 MM (11") DIA. (230)
E78705	SHEAVE	1		279 MM (11") DIA. (230)	
2	AN15237	IDLER	1		202 MM (7-5/16") DIA.
3	AH66202	SHEAVE	1		178 MM (7") DIA.
4	AH87948	SHEAVE	1	-226514	340 MM (13-3/8") DIA. (OPTIONAL FAST)
	AH93628	SHEAVE	1	226515-620300	302 MM (11-7/8") DIA.
	AH87948	SHEAVE	1	620301-622200	340 MM (13-3/8") DIA.
	AH93628	SHEAVE	1		302 MM (11-7/8") DIA.
	AH97335	SHEAVE	1		264 MM (10-3/8") DIA. (OPTIONAL SLOW)
5	H80103	BELT	1		(FLEXIBLE AND FLEXIBLE, OPTIONAL FAST)
	H87256	BELT	1	-267450	(RIGID)
	H21925	BELT	1	267451-620300	(RIGID)
	H87256	BELT	1	620301-622200	(RIGID)
	H21925	BELT	1		(RIGID)
	P40278	BELT	1		(RIGID) (OPTIONAL SLOW)
	H87256	BELT	1		(FLEXIBLE) (OPTIONAL SLOW)

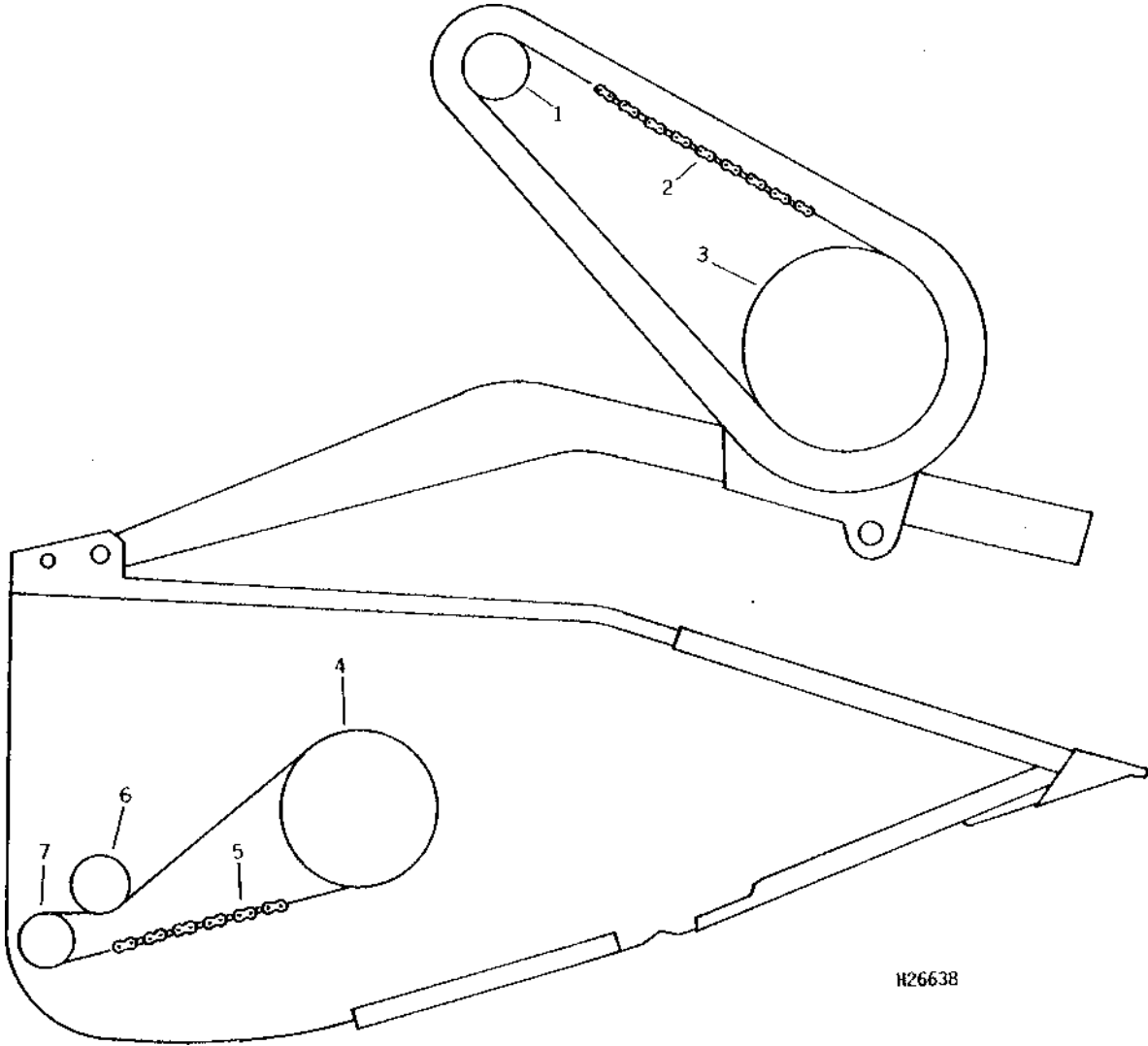
J16

BELTS, CHAINS, SHEAVES, SPROCKETS, AND DECALS

DRIVE CHAINS, SPROCKETS, AND TIGHTENERS ON RIGHT-HAND SIDE

H26638

-UN-01JAN94



H26638

KEY	PART NO.	PART NAME	QTY	SERIAL NO.	REMARKS
1	AH66504	CHAIN SPROCKET	1		DRIVE, 30 TEETH, BAT REEL
	AH77367	CHAIN SPROCKET	1		20 TEETH, PICKUP REEL
2	LINK CHAIN	1		ROLLER, TYPE 2050, 1-1/4" PITCH, 75 LINKS, (ASSEMBLE FROM AP19992 AND AP19991)
3	AH88831	CHAIN SPROCKET	1		DRIVEN, 81 TEETH
4	AH87947	CHAIN SPROCKET	1		DRIVE, 40 TEETH (REGULAR SPEED)
	AH88802	CHAIN SPROCKET	1		DRIVE, 50 TEETH (SLOW SPEED)
5	LINK CHAIN	1		ROLLER, TYPE 60, 3/4" PITCH, 87 LINKS, (ASSEMBLE FROM AB1288, AB1289, AB1290, B5235H AND B5321H)
6	AN31211	CHAIN SPROCKET	1	-431350	15 TEETH
	AH20443	CHAIN SPROCKET	1	431351-	15 TEETH
7	AH87945	CHAIN SPROCKET	1		DRIVE, 13 TEETH

J17

BELTS, CHAINS, SHEAVES, SPROCKETS, AND DECALS

DECALS (NOT ILLUSTRATED)

KEY	PART NO.	PART NAME	QTY	SERIAL NO.	REMARKS
..	AH91859	DECAL KIT	1	(012223344455678)	ON R.H. AND L.H. SHIELD, MODEL DESIGNATION, LOCATED LOWER CENTER POSITION REFLECTIVE TAPE-(RED) LOCATED IN REAR, UPPER L.H. SHIELD; LOCATED IN REAR, UPPER, R.H. END SHEET ON PLATFORM REFLECTIVE TAPE-(AMBER) LOCATED ON LONG DIVIDER POINT, CENTER, L.H.; STANDARD DIVIDER POINT, CENTER, L.H. "LEAPING DEER" (8") (203 MM) LOCATED ON R.H. AND L.H. SHIELD, CENTER IN EMBOSMENT "WARNING", LOCATED ON REEL ARM (SUB. AH100289
..	AH100289	DECAL KIT	1	(012223344455678A)	ON R.H. AND L.H. SHIELD, MODEL DESIGNATION, LOCATED LOWER CENTER POSITION REFLECTIVE TAPE-(RED) LOCATED IN REAR, UPPER L.H. SHIELD; LOCATED IN REAR, UPPER, R.H. END SHEET ON PLATFORM REFLECTIVE TAPE (AMBER) LOCATED ON LONG DIVIDER POINT, CENTER L.H.; STANDARD DIVIDER POINT, CENTER, L.H. "LEAPING DEER" (8") (203 MM) LOCATED ON R.H. AND L.H. SHIELD, CENTER IN EMBOSMENT "WARNING", LOCATED ON REEL ARM RANGE INDICATOR-LOCATED ON R.H. TOP END OF PLATFORM
..	H89577	LABEL	1		RANGE INDICATOR
..	H105556	LABEL	AR	(012223344455678A)	

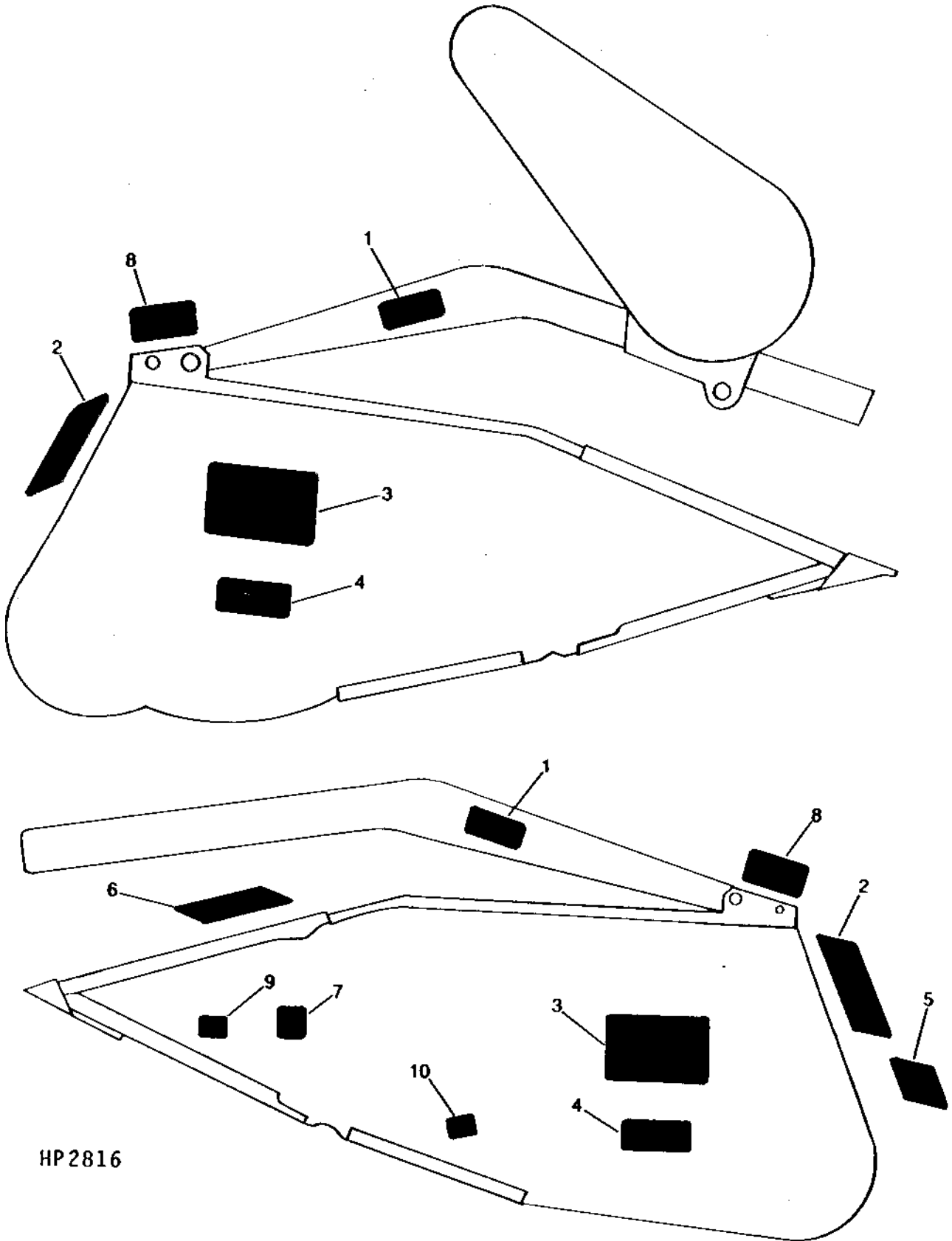
J18

BELTS, CHAINS, SHEAVES, SPROCKETS, AND DECALS

RIGHT-HAND AND LEFT-HAND DECALS

HP2816

-UN-01JAN94



HP2816

J19

BELTS, CHAINS, SHEAVES, SPROCKETS, AND DECALS

RIGHT-HAND AND LEFT-HAND DECALS - CONTINUED

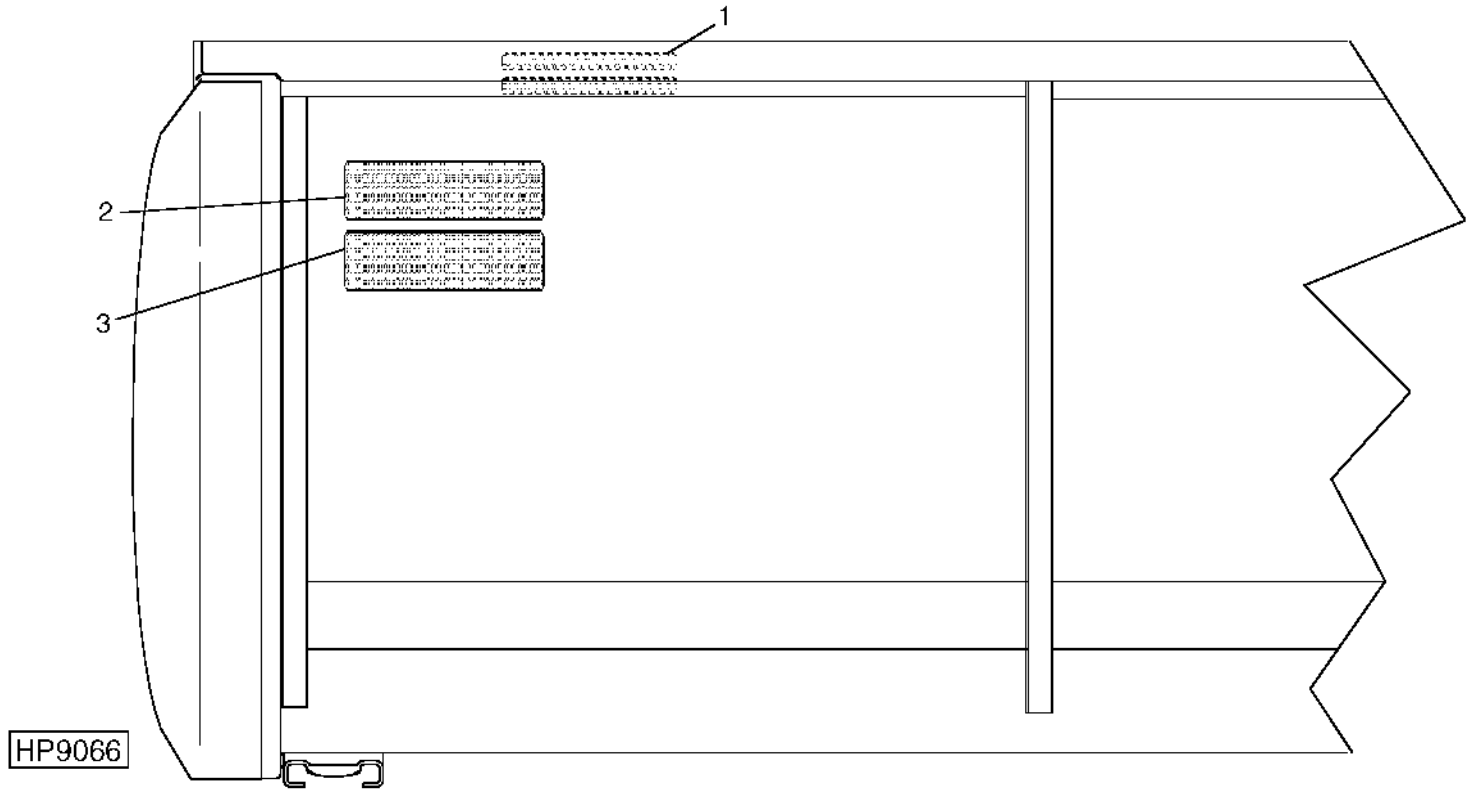
KEY	PART NO.	PART NAME	QTY	SERIAL NO.	REMARKS
1	H99314	DECAL	2		"WARNING" (REEL ARM)
	H99315	DECAL	2		"WARNING" (REEL ARM) (CANADIAN) (SUB AH121994)
2	JD5901	REFLECTOR	2		(RED)
3	JD5590	DECAL	2		"LEAPING DEER"
4	H92036	DECAL	2		(213) (KIT AH100289)
	H92037	DECAL	2		(215) (KIT AH100289)
	H92038	DECAL	2		(216) (KIT AH100289)
	H92039	DECAL	2		(218) (KIT AH100289)
	H92040	DECAL	2		(220) (KIT AH100289)
	H92041	DECAL	2		(222) (KIT AH100289)
	H92042	DECAL	2		(224) (KIT AH100289)
	H98475	DECAL	2		(230) (KIT AH100289)
	H112330	DECAL	2		(222 HILLSIDE)
5	E82510	LABEL	1		(SUB FOR JD5255) "CAUTION"
6	JD5581	REFLECTOR	1	-610100	(AMBER) (L.H. DIVIDER) (FLEXIBLE)
	JD5581	REFLECTOR	1	-541154	(AMBER) (L.H. DIVIDER) (RIGID)
7	JD5583	REFLECTOR	1	541155-	(AMBER) KNIFE DRIVE CASE (RIGID)
8	E74026	DECAL	2		(DANGER)
9	H132865	DECAL	1	620301-	(L.H. DIVIDER) (RIGID)
10	H132865	DECAL	1	620301-	(L.H. DIVIDER) (FLEXIBLE)

J20

BELTS, CHAINS, SHEAVES, SPROCKETS, AND DECALS

HP9066 -UN-14SEP99

REAR DECALS



KEY	PART NO.	PART NAME	QTY	SERIAL NO.	REMARKS
1	JD5921	REFLECTOR	1		YELLOW (LEFT HAND FRONT ONLY)
2	JD5920	REFLECTOR	2		RED
3	JD5922	REFLECTOR	2		ORANGE

K16

NUMERICAL INDEX

PART NO.	GRID	KEY	PAGE	PART NO.	GRID	KEY	PAGE	PART NO.	GRID	KEY	PAGE
AA5607R	G18	8	15-25	AH103280	G22	4	15-29	AH110993	I6	9	25-5
AB1288	J16	5	40-2	AH103281	G22	4	15-29	AH111052	I23	18	30-7
AB1288H	I10	17	25-9	AH103282	G22	4	15-29	AH111053	I23	19	30-7
AB1288H	I14	20	25-13	AH103283	G22	4	15-29	AH111054	J6	18	30-13
AB1289	J16	5	40-2	AH103284	G22	4	15-29	AH111253	F22	1	15-3
AB1289H	I10	17	25-9	AH103285	G20	4	15-27	AH111254	F22	1	15-3
AB1289H	I14	20	25-13	AH103285	G22	4	15-29	AH111255	F22	1	15-3
AB1290	J16	5	40-2	AH103379	F22	1	15-3	AH111256	F22	1	15-3
AB1290H	I10	17	25-9	AH103380	F22	1	15-3	AH111257	F22	1	15-3
AB1290H	I14	20	25-13	AH103381	F22	1	15-3	AH111258	F22	1	15-3
AE22753	H20	3	20-20	AH103382	F22	1	15-3	AH111259	F22	1	15-3
AE24403	F8	10	10-7	AH103383	F22	1	15-3	AH111260	F22	1	15-3
AE24407	F8	14	10-7	AH103384	F22	1	15-3	AH111302	I4	8	25-3
AE24410	F3	11	10-1	AH103385	F22	1	15-3	AH111303	I4	8	25-3
AE24410	F5	13	10-3	AH103526	G18	5	15-25	AH111304	I4	8	25-3
AE24410	F6	16	10-5	AH103757	J10	13	30-17	AH111305	I4	8	25-3
AE24616	J2	10	30-9	AH103809	J10	20	30-17	AH111307	I4	8	25-3
AE27185	H11	11	20-11	AH103809	J10	21	30-17	AH111308	I4	8	25-3
AE28563	H13	7	20-13	AH103809	J10	22	30-17	AH111309	I4	8	25-3
AE28861	H11	4	20-11	AH104090	F19	13	10-18	AH111348	G23	6	15-30
AE28879	H13	6	20-13	AH104396	F19	11	10-18	AH113100	H20	12	20-20
AE30600	H11	6	20-11	AH105135	F22	1	15-3	AH113101	H20	10	20-20
AE33810	H11	17	20-11	AH10515	H17	8	20-17	AH113432	J13	1	35-1
AE33814	H11	25	20-11	AH10515	H19	8	20-19	AH114216	I4	8	25-3
AE34804	H11	11	20-11	AH10515	I10	11	25-9	AH115397	I18	11	30-1
AE35151	H11	17	20-11	AH10515	I14	16	25-13	AH115398	I19	13	30-3
AE35152	H13	7	20-13	AH106100	F8	14	10-7	AH11668	H20	12	20-20
AE36609	H11	25	20-11	AH106101	F10	36	10-9	AH116873	H5	6	20-5
AE36610	H11	6	20-11	AH106595	G8	3	15-15	AH116874	H5	6	20-5
AE38050	H11	19	20-11	AH106596	G8	8	15-15	AH118380	J11	16	30-18
AE38359	H11	5	20-11	AH106597	G8	12	15-15	AH118381	J11	8	30-18
AE38448	H11	21	20-11	AH106598	G8	5	15-15	AH118382	J11	..	30-18
AE38566	H11	6	20-11	AH106599	G8	9	15-15	AH119099	F8	29	10-7
AE41481	H11	25	20-11	AH106600	G8	9	15-15	AH119100	F8	3	10-7
AE46307	H11	11	20-11	AH107066	I6	6B	25-5	AH121075	H7	3	20-7
AE46307	H11	15	20-11	AH107066	I6	7	25-5	AH121076	H7	10	20-7
AE46307	H11	16	20-11	AH107315	G8	8	15-15	AH121079	H7	10	20-7
AE46661	H13	6	20-13	AH108016	I18	11	30-1	AH121081	H7	10	20-7
AE47781	H11	24	20-11	AH108017	I19	13	30-3	AH121083	H7	10	20-7
AH100289	J17	..	40-3	AH108252	J2	3	30-9	AH121085	H7	10	20-7
AH100289	J19	4	40-5	AH108253	J2	2	30-9	AH121087	H7	10	20-7
AH100321	G15	4	15-22	AH108431	G24	5	15-31	AH121994	J19	1	40-5
AH101236	G4	1	15-11	AH108432	G24	5	15-31	AH123814	G14	15	15-21
AH101449	I4	8	25-3	AH108465	G12	24	15-19	AH123815	G14	15	15-21
AH101450	I4	8	25-3	AH108465	G14	2	15-21	AH124929	I4	12	25-3
AH101451	I4	8	25-3	AH108465	G14	27	15-21	AH125750	H5	8	20-5
AH101452	I4	8	25-3	AH108466	G22	8	15-29	AH125751	H5	8	20-5
AH101454	I4	8	25-3	AH108471	G18	11	15-25	AH125752	H5	8	20-5
AH101455	I4	8	25-3	AH108483	G4	1	15-11	AH125753	H5	8	20-5
AH101456	I4	8	25-3	AH108561	F19	16	10-18	AH125754	H5	8	20-5
AH101457	I4	8	25-3	AH108562	F19	16	10-18	AH125755	H5	8	20-5
AH102047	H13	10A	20-13	AH108738	I8	5	25-7	AH125756	H5	8	20-5
AH102047	H13	10B	20-13	AH109390	G18	10	15-25	AH125757	H5	8	20-5
AH102047	H15	10A	20-15	AH109856	I18	10	30-1	AH125937	I4	8	25-3
AH102047	H15	10B	20-15	AH109857	I18	..	30-1	AH125938	I4	8	25-3
AH102048	H13	10A	20-13	AH109858	I19	12	30-3	AH126635	G12	5	15-19
AH102048	H13	10B	20-13	AH109859	I19	5	30-3	AH126635	G14	14	15-21
AH102048	H15	10A	20-15	AH109860	I19	..	30-3	AH126636	G12	5	15-19
AH102048	H15	10B	20-15	AH109886	G12	4	15-19	AH126636	G14	14	15-21
AH102676	G8	3	15-15	AH109886	G14	7	15-21	AH127483	F10	36	10-9
AH102677	G8	8	15-15	AH109887	G12	4	15-19	AH127484	F8	14	10-7
AH102678	G8	12	15-15	AH109887	G14	7	15-21	AH127485	F10	36	10-9
AH102679	G8	5	15-15	AH109893	I4	8	25-3	AH127486	F8	14	10-7
AH102680	G8	9	15-15	AH109898	I18	4	30-1	AH127487	F10	36	10-9
AH102681	G8	9	15-15	AH110441	G14	15	15-21	AH127488	F8	14	10-7
AH103276	G18	3	15-25	AH110442	G14	15	15-21	AH127981	H23	5	20-23
AH103279	G22	4	15-29	AH110870	G18	9	15-25	AH127981	H24	5	20-24

NUMERICAL INDEX - CONTINUED

PART NO.	GRID	KEY	PAGE	PART NO.	GRID	KEY	PAGE	PART NO.	GRID	KEY	PAGE
AH127983	G12	20	15 - 19	AH15939	J6	15	30 - 13	AH80071	J4	20	30 - 11
AH127983	G14	2	15 - 21	AH165643	G8	8	15 - 15	AH80098	F3	6	10 - 1
AH127983	G14	27	15 - 21	AH17776	H5	6	20 - 5	AH80100	F3	1	10 - 1
AH127983	H23	13B	20 - 23	AH19680	F3	1	10 - 1	AH80381	I21	6	30 - 5
AH127983	H24	15	20 - 24	AH19681	F3	6	10 - 1	AH80384	G12	7	15 - 19
AH128365	G12	16	15 - 19	AH19682	F3	6	10 - 1	AH80384	G14	1	15 - 21
AH128365	G14	21	15 - 21	AH19695	F3	1	10 - 1	AH80384	G16	9	15 - 23
AH128368	G12	5	15 - 19	AH19696	F3	6	10 - 1	AH80384	H23	4	20 - 23
AH128368	G14	15	15 - 21	AH19698	F3	1	10 - 1	AH80384	H24	4	20 - 24
AH128369	G12	5	15 - 19	AH19699	F3	6	10 - 1	AH80384	H24	14	20 - 24
AH128369	G14	15	15 - 21	AH19770	I21	7	30 - 5	AH81254	F3	1	10 - 1
AH128720	H7	10	20 - 7	AH20443	I10	16B	25 - 9	AH81256	F3	6	10 - 1
AH128721	H7	10	20 - 7	AH20443	I16	26B	25 - 15	AH83821	J4	22	30 - 11
AH128982	I4	8	25 - 3	AH20443	J16	6	40 - 2	AH83821	J6	14	30 - 13
AH128983	I4	8	25 - 3	AH20450	H2	..	20 - 1	AH83835	J10	..	30 - 17
AH128984	I4	8	25 - 3	AH20711	J4	20	30 - 11	AH83835	J11	11	30 - 18
AH129260	I4	8	25 - 3	AH20720	J2	2	30 - 9	AH83835	J11	..	30 - 18
AH129261	I4	8	25 - 3	AH60493	G15	13	15 - 22	AH83835	J11	..	30 - 18
AH129334	I4	8	25 - 3	AH60752	H20	5	20 - 20	AH83836	J10	..	30 - 17
AH132555	G22	4	15 - 29	AH60756	H20	10	20 - 20	AH84096	H5	6	20 - 5
AH132556	G22	4	15 - 29	AH61937	F5	5	10 - 3	AH86807	J10	10	30 - 17
AH132618	I12	25	25 - 11	AH61937	F6	8	10 - 5	AH86808	J10	7	30 - 17
AH132792	G8	8	15 - 15	AH61953	H20	6	20 - 20	AH86809	J10	8	30 - 17
AH132904	H7	20	20 - 7	AH62037	J4	20	30 - 11	AH86810	J10	19	30 - 17
AH132905	F24	9	15 - 5	AH62345	G17	4	15 - 24	AH86813	J10	26	30 - 17
AH132906	F24	9	15 - 5	AH63038	F3	6	10 - 1	AH86814	J10	28	30 - 17
AH132970	G8	5	15 - 15	AH63039	F3	1	10 - 1	AH87188	F3	1	10 - 1
AH132971	G8	9	15 - 15	AH63604	F3	1	10 - 1	AH87264	I18	3	30 - 1
AH132972	G8	9	15 - 15	AH65197	F10	37	10 - 9	AH87265	I18	6	30 - 1
AH132973	G8	12	15 - 15	AH65199	F10	37	10 - 9	AH87265	I19	2	30 - 3
AH132974	G8	3	15 - 15	AH65200	F10	37	10 - 9	AH87266	I19	..	30 - 3
AH132975	G8	8	15 - 15	AH65203	F10	37	10 - 9	AH87267	I18	1	30 - 1
AH133436	I8	17	25 - 7	AH65204	F10	37	10 - 9	AH87267	I18	2	30 - 1
AH133746	F16	7	10 - 15	AH65216	F3	6	10 - 1	AH87267	I18	..	30 - 1
AH133747	F16	7	10 - 15	AH66202	H21	20	20 - 21	AH87944	I6	6A	25 - 5
AH133748	F16	7	10 - 15	AH66202	J15	3	40 - 1	AH87945	I10	18	25 - 9
AH133749	F16	7	10 - 15	AH66504	F12	19	10 - 11	AH87945	I14	21	25 - 13
AH135857	I19	..	30 - 3	AH66504	F16	18	10 - 15	AH87945	J16	7	40 - 2
AH137774	F24	13	15 - 5	AH66504	J16	1	40 - 2	AH87946	H17	16	20 - 17
AH137774	F24	15	15 - 5	AH66883	F5	8	10 - 3	AH87947	I8	20	25 - 7
AH137774	F24	18	15 - 5	AH66883	F6	11	10 - 5	AH87947	J16	4	40 - 2
AH137780	I2	1B	25 - 1	AH66884	F5	8	10 - 3	AH87948	H17	3	20 - 17
AH137781	H3	2	20 - 2	AH66884	F6	11	10 - 5	AH87948	H19	3	20 - 19
AH137781	H3	3	20 - 2	AH75164	I21	1	30 - 5	AH87948	J15	4	40 - 1
AH138355	H20	13	20 - 20	AH75164	I23	3	30 - 7	AH87953	I12	34	25 - 11
AH144009	G8	5	15 - 15	AH75167	I21	13	30 - 5	AH88522	I4	12	25 - 3
AH144010	G8	9	15 - 15	AH75167	I23	13	30 - 7	AH88525	I4	8	25 - 3
AH144011	G8	9	15 - 15	AH75167	J6	28	30 - 13	AH88527	I4	8	25 - 3
AH144012	G8	12	15 - 15	AH75420	I19	13	30 - 3	AH88529	I4	8	25 - 3
AH144013	G8	8	15 - 15	AH75421	I18	4	30 - 1	AH88531	I4	8	25 - 3
AH144014	G8	3	15 - 15	AH75421	I18	10	30 - 1	AH88533	I4	8	25 - 3
AH146144	G8	3	15 - 15	AH75421	I18	11	30 - 1	AH88535	I4	8	25 - 3
AH15000	I21	5	30 - 5	AH76556	G20	8	15 - 27	AH88537	I4	8	25 - 3
AH15000	I23	16	30 - 7	AH76556	G22	14	15 - 29	AH88540	I12	25	25 - 11
AH151621	G8	5	15 - 15	AH76882	J2	6	30 - 9	AH88540	I16	31	25 - 15
AH151622	G8	9	15 - 15	AH76882	J6	21	30 - 13	AH88541	I10	2	25 - 9
AH151623	G8	9	15 - 15	AH76882	J7	6	30 - 14	AH88542	I10	2	25 - 9
AH151624	G8	12	15 - 15	AH76882	J8	1	30 - 15	AH88543	I10	2	25 - 9
AH151625	G8	8	15 - 15	AH77367	F8	24	10 - 7	AH88544	H17	17	20 - 17
AH151626	G8	3	15 - 15	AH77367	J16	1	40 - 2	AH88545	H17	17	20 - 17
AH153690	G8	5	15 - 15	AH77862	J8	3	30 - 15	AH88546	F22	1	15 - 3
AH153691	G8	9	15 - 15	AH77869	J7	6	30 - 14	AH88546	H17	17	20 - 17
AH153692	G8	3	15 - 15	AH77869	J8	1	30 - 15	AH88547	I10	2	25 - 9
AH153693	G8	9	15 - 15	AH77869	J9	5	30 - 16	AH88548	I10	2	25 - 9
AH153694	G8	12	15 - 15	AH78617	J4	20	30 - 11	AH88549	H17	17	20 - 17
AH153747	G8	8	15 - 15	AH78650	I19	12	30 - 3	AH88550	H17	17	20 - 17
AH15939	J4	21	30 - 11	AH80070	I21	6	30 - 5	AH88551	I10	2	25 - 9

NUMERICAL INDEX - CONTINUED

PART NO.	GRID	KEY	PAGE	PART NO.	GRID	KEY	PAGE	PART NO.	GRID	KEY	PAGE
AH88552	H17	17	20-17	AH88914	J7	5	30-14	AH89404	G6	7	15-13
AH88555	I10	2	25-9	AH88947	F22	1	15-3	AH89405	G6	2	15-13
AH88557	I4	3	25-3	AH88948	F22	1	15-3	AH89405	G6	7	15-13
AH88559	J13	1	35-1	AH88949	F22	1	15-3	AH89406	G6	2	15-13
AH88562	J9	3	30-16	AH88951	F22	1	15-3	AH89406	G6	5	15-13
AH88563	J2	3	30-9	AH88952	F22	1	15-3	AH89407	G6	2	15-13
AH88564	J2	11	30-9	AH88953	F22	1	15-3	AH89407	G6	5	15-13
AH88565	J2	7	30-9	AH88954	F22	1	15-3	AH89419	G12	14	15-19
AH88566	I21	11	30-5	AH88959	F8	21	10-7	AH89419	G14	23	15-21
AH88567	I21	10	30-5	AH88959	F12	15	10-11	AH89445	I14	2	25-13
AH88568	J4	18	30-11	AH88963	F12	7A	10-11	AH89492	G12	5	15-19
AH88569	J4	19	30-11	AH88965	F10	36	10-9	AH89493	G12	5	15-19
AH88570	J2	13	30-9	AH88966	F8	29	10-7	AH89496	H22	3	20-22
AH88572	J2	13	30-9	AH88967	F8	3	10-7	AH89498	H5	3	20-5
AH88573	J2	13	30-9	AH88970	F8	16	10-7	AH89528	I14	2	25-13
AH88574	J2	13	30-9	AH88971	F8	9	10-7	AH89529	I14	2	25-13
AH88575	J2	13	30-9	AH89089	I14	9	25-13	AH89530	I14	2	25-13
AH88576	J2	13	30-9	AH89301	F14	30	10-13	AH89532	I14	2	25-13
AH88577	J2	13	30-9	AH89302	G16	3	15-23	AH89533	I16	32	25-15
AH88579	I21	3	30-5	AH89305	F14	30	10-13	AH89534	I16	32	25-15
AH88580	I21	3	30-5	AH89306	F14	30	10-13	AH89536	I16	32	25-15
AH88580	I23	4	30-7	AH89307	F14	30	10-13	AH89537	I16	32	25-15
AH88581	I21	3	30-5	AH89308	F14	30	10-13	AH89557	G23	2	15-30
AH88581	I23	4	30-7	AH89309	F14	30	10-13	AH89557	G24	2	15-31
AH88582	I21	3	30-5	AH89310	F14	30	10-13	AH89578	G23	4	15-30
AH88582	I23	4	30-7	AH89311	G4	4	15-11	AH89655	F8	6	10-7
AH88583	I21	3	30-5	AH89312	G4	4	15-11	AH89656	F10	36	10-9
AH88583	I23	4	30-7	AH89314	G8	12	15-15	AH89657	F8	14	10-7
AH88584	I21	3	30-5	AH89315	G8	9	15-15	AH89658	F10	37	10-9
AH88584	I23	4	30-7	AH89316	G8	8	15-15	AH89659	F10	37	10-9
AH88585	J4	20	30-11	AH89318	H13	10A	20-13	AH90570	G20	4	15-27
AH88586	I21	6	30-5	AH89318	H15	10A	20-15	AH90571	G20	4	15-27
AH88587	I21	6	30-5	AH89321	G10	17	15-17	AH90572	G20	4	15-27
AH88588	I21	6	30-5	AH89322	G10	17	15-17	AH90573	G20	4	15-27
AH88802	I8	20	25-7	AH89324	G8	3	15-15	AH90574	G20	4	15-27
AH88802	J16	4	40-2	AH89326	G4	4	15-11	AH90578	H23	5	20-23
AH88820	H5	8	20-5	AH89327	G4	4	15-11	AH90580	G15	4	15-22
AH88821	H5	8	20-5	AH89328	G4	4	15-11	AH90582	G16	7	15-23
AH88822	G2	5	15-9	AH89329	G4	4	15-11	AH90626	F22	1	15-3
AH88824	H5	8	20-5	AH89330	G4	4	15-11	AH90626	I21	11	30-5
AH88825	H5	8	20-5	AH89332	G4	4	15-11	AH90627	F22	1	15-3
AH88826	H5	8	20-5	AH89333	G8	5	15-15	AH90627	I21	10	30-5
AH88829	G2	6	15-9	AH89335	G8	9	15-15	AH90628	F22	1	15-3
AH88830	G2	4	15-9	AH89372	G12	3	15-19	AH90628	J4	18	30-11
AH88831	F8	19	10-7	AH89372	G14	4	15-21	AH90629	J2	13	30-9
AH88831	F12	12	10-11	AH89373	G12	4	15-19	AH90629	J6	11	30-13
AH88831	F16	13	10-15	AH89374	G12	4	15-19	AH90630	J2	13	30-9
AH88831	J16	3	40-2	AH89375	G12	16	15-19	AH90630	J6	11	30-13
AH88834	H21	2	20-21	AH89375	G14	21	15-21	AH90631	F22	1	15-3
AH88835	H21	10	20-21	AH89388	G12	24	15-19	AH90631	J4	19	30-11
AH88836	F17	3	10-16	AH89390	G12	8	15-19	AH90631	J6	19	30-13
AH88837	F17	3	10-16	AH89390	G14	17	15-21	AH90811	G17	3	15-24
AH88838	I8	17	25-7	AH89392	G12	20	15-19	AH90812	G17	8	15-24
AH88840	H13	10A	20-13	AH89393	G4	1	15-11	AH90813	G20	21	15-27
AH88840	H15	10A	20-15	AH89394	G4	1	15-11	AH90821	G6	5	15-13
AH88841	H5	8	20-5	AH89395	G10	11	15-17	AH90822	G6	7	15-13
AH88842	H5	8	20-5	AH89396	G10	12	15-17	AH90823	G6	7	15-13
AH88844	H5	8	20-5	AH89397	G6	5	15-13	AH90824	G6	5	15-13
AH88845	H5	8	20-5	AH89398	G6	7	15-13	AH90825	G6	5	15-13
AH88846	H5	8	20-5	AH89399	G6	7	15-13	AH90826	G6	2	15-13
AH88847	H5	8	20-5	AH89400	G6	5	15-13	AH90826	G6	5	15-13
AH88848	H5	8	20-5	AH89401	G6	5	15-13	AH90827	G6	2	15-13
AH88849	H5	8	20-5	AH89402	G6	1	15-13	AH90827	G6	7	15-13
AH88850	H5	8	20-5	AH89402	G6	2	15-13	AH90828	G6	2	15-13
AH88889	J13	1	35-1	AH89403	G6	2	15-13	AH90828	G6	7	15-13
AH88912	J7	3	30-14	AH89403	G6	5	15-13	AH90829	G6	2	15-13
AH88913	J7	4	30-14	AH89404	G6	2	15-13	AH90829	G6	5	15-13

K19

NUMERICAL INDEX - CONTINUED

PART NO.	GRID	KEY	PAGE	PART NO.	GRID	KEY	PAGE	PART NO.	GRID	KEY	PAGE
AH90830	G6	2	15-13	AH95991	F22	1	15-3	AH97185	F4	1	10-2
AH90830	G6	5	15-13	AH95991	J2	13	30-9	AH97186	F3	1	10-1
AH90850	G10	17	15-17	AH95991	J6	11	30-13	AH97186	F4	1	10-2
AH90851	G10	17	15-17	AH95992	F22	1	15-3	AH97187	F3	1	10-1
AH91005	G23	4	15-30	AH95992	J2	13	30-9	AH97187	F4	1	10-2
AH91260	H21	6	20-21	AH95992	J6	11	30-13	AH97188	F4	1	10-2
AH91379	F16	7	10-15	AH95993	F22	1	15-3	AH97189	F4	1	10-2
AH91380	F16	7	10-15	AH95993	J2	13	30-9	AH97190	F3	6	10-1
AH91381	F16	7	10-15	AH95993	J6	11	30-13	AH97190	F4	6	10-2
AH91382	F16	7	10-15	AH95994	F22	1	15-3	AH97191	F3	6	10-1
AH91383	F16	9	10-15	AH95994	J2	13	30-9	AH97191	F4	6	10-2
AH91384	F16	9	10-15	AH95994	J6	11	30-13	AH97193	F3	6	10-1
AH91385	F16	9	10-15	AH95995	J2	13	30-9	AH97193	F4	6	10-2
AH91386	F16	9	10-15	AH95995	J6	11	30-13	AH97194	F3	6	10-1
AH91784	H17	16	20-17	AH96015	G20	4	15-27	AH97194	F4	6	10-2
AH91859	J17	..	40-3	AH96016	G20	4	15-27	AH97195	F3	6	10-1
AH92518	G15	3	15-22	AH96017	G20	4	15-27	AH97195	F4	6	10-2
AH92518	G16	3	15-23	AH96018	G20	4	15-27	AH97196	F3	6	10-1
AH92518	G16	12	15-23	AH96019	G20	4	15-27	AH97196	F4	6	10-2
AH92561	I8	5	25-7	AH96020	G20	4	15-27	AH97197	F3	6	10-1
AH92999	I4	8	25-3	AH96021	G20	4	15-27	AH97197	F4	6	10-2
AH93000	I4	8	25-3	AH96079	F22	1	15-3	AH97198	F4	6	10-2
AH93001	I4	8	25-3	AH96080	F22	1	15-3	AH97199	F4	6	10-2
AH93002	I4	8	25-3	AH96316	F22	1	15-3	AH97200	F3	6	10-1
AH93003	I4	8	25-3	AH96316	I10	2	25-9	AH97200	F4	6	10-2
AH93223	G8	5	15-15	AH96338	F22	1	15-3	AH97207	F4	11	10-2
AH93224	G8	9	15-15	AH96339	F22	1	15-3	AH97207	F5	13	10-3
AH93225	G8	9	15-15	AH96481	G8	8	15-15	AH97207	F6	16	10-5
AH93323	I19	13	30-3	AH96548	I6	14	25-5	AH97210	F10	36	10-9
AH93324	I18	11	30-1	AH96575	G4	4	15-11	AH97211	F10	36	10-9
AH93628	H17	3	20-17	AH96576	G4	4	15-11	AH97215	F8	14	10-7
AH93628	H19	3	20-19	AH96577	G4	4	15-11	AH97216	F8	14	10-7
AH93628	J15	4	40-1	AH96578	G4	4	15-11	AH97217	F5	8	10-3
AH93819	G12	20	15-19	AH96579	G4	4	15-11	AH97217	F6	11	10-5
AH93819	G14	2	15-21	AH96580	G4	4	15-11	AH97218	F5	8	10-3
AH93819	G14	27	15-21	AH96581	G4	4	15-11	AH97218	F6	11	10-5
AH93819	H23	13B	20-23	AH96582	G4	4	15-11	AH97221	F5	5	10-3
AH94024	G8	12	15-15	AH96583	G4	4	15-11	AH97221	F6	8	10-5
AH94025	G8	3	15-15	AH96589	F8	20	10-7	AH97228	F18	12	10-17
AH94026	G8	8	15-15	AH96589	F12	13	10-11	AH97229	F18	12	10-17
AH94072	H21	10	20-21	AH96589	F12	15	10-11	AH97231	F12	7A	10-11
AH94112	G10	12	15-17	AH96707	I4	8	25-3	AH97231	F12	7B	10-11
AH94535	G2	10	15-9	AH96757	F24	15	15-5	AH97231	F16	4	10-15
AH94670	F10	37	10-9	AH96758	F24	13	15-5	AH97240	I8	5	25-7
AH94787	I8	5	25-7	AH96783	H5	8	20-5	AH97240	I8	..	25-7
AH94788	I4	3	25-3	AH96784	H5	8	20-5	AH97281	I14	9	25-13
AH94856	J6	3	30-13	AH97008	J4	20	30-11	AH97282	F8	16	10-7
AH94969	F22	1	15-3	AH97009	I21	6	30-5	AH97283	F8	9	10-7
AH94970	F22	1	15-3	AH97101	G10	17	15-17	AH97284	I14	2	25-13
AH94971	F22	1	15-3	AH97102	G10	17	15-17	AH97285	I14	2	25-13
AH94972	F22	1	15-3	AH97127	F22	1	15-3	AH97286	I14	2	25-13
AH94973	F22	1	15-3	AH97129	F22	1	15-3	AH97287	I14	2	25-13
AH94974	F22	1	15-3	AH97160	F10	37	10-9	AH97288	I14	2	25-13
AH94975	F22	1	15-3	AH97161	F10	37	10-9	AH97294	F17	3	10-16
AH95001	F22	1	15-3	AH97162	F10	37	10-9	AH97294	F18	12	10-17
AH95294	F22	1	15-3	AH97164	F10	37	10-9	AH97295	F17	3	10-16
AH95349	F22	1	15-3	AH97166	F10	37	10-9	AH97295	F18	12	10-17
AH95458	I8	5	25-7	AH97167	F10	37	10-9	AH97296	F12	11A	10-11
AH95479	F12	11A	10-11	AH97168	F10	37	10-9	AH97296	F12	11B	10-11
AH95481	F8	21	10-7	AH97169	F10	37	10-9	AH97296	F16	12	10-15
AH95481	F12	15	10-11	AH97182	F3	1	10-1	AH97335	H17	3	20-17
AH95481	F16	14	10-15	AH97182	F4	1	10-2	AH97335	H19	3	20-19
AH95483	F8	16	10-7	AH97183	F3	1	10-1	AH97335	J15	4	40-1
AH95915	F22	1	15-3	AH97183	F4	1	10-2	AH97342	I12	38B	25-11
AH95990	F22	1	15-3	AH97184	F3	1	10-1	AH97342	I16	27B	25-15
AH95990	J2	13	30-9	AH97184	F4	1	10-2	AH97702	J6	5	30-13
AH95990	J6	11	30-13	AH97185	F3	1	10-1	AH97851	G15	4	15-22

NUMERICAL INDEX - CONTINUED

PART NO.	GRID	KEY	PAGE	PART NO.	GRID	KEY	PAGE	PART NO.	GRID	KEY	PAGE
AH98303	I21	3	30-5	C3994E	H17	7A	20-17	E59584	F5	7	10-3
AH98303	I23	4	30-7	C3994E	H19	7	20-19	E59584	F6	10	10-5
AH98907	F22	1	15-3	C3994E	H19	16	20-19	E59585	F5	7	10-3
AH98908	F22	1	15-3	C3994E	I4	5A	25-3	E59585	F6	6	10-5
AH98909	F22	1	15-3	C3994E	I10	7A	25-9	E59625	H9	7	20-9
AH98910	F22	1	15-3	C3994E	I14	15	25-13	E59662	H9	4	20-9
AH98911	F22	1	15-3	C3994E	I16	34	25-15	E60128	H11	8	20-11
AH98912	F22	1	15-3	E10018	I6	13	25-5	E60129	H11	8	20-11
AH98913	F22	1	15-3	E18630	H11	13	20-11	E60571	F16	27	10-15
AN102010	H19	17	20-19	E30743	I10	10	25-9	E60573	F14	29	10-13
AN102010	I16	33	25-15	E40202	F3	8	10-1	E60574	F14	29	10-13
AN15237	H21	13	20-21	E40202	F4	8	10-2	E60575	F14	29	10-13
AN15237	J15	2	40-1	E40202	F5	10	10-3	E60576	F14	29	10-13
AN180656	I22	5	30-6	E40202	F6	13	10-5	E60576	F16	27	10-15
AN31211	I10	16A	25-9	E40203	F3	7	10-1	E61951	H11	19	20-11
AN31211	I16	26A	25-15	E40203	F4	7	10-2	E62951	H17	21	20-17
AN31211	J16	6	40-2	E40203	F5	9	10-3	E62951	H20	4	20-20
AP17210	H3	1	20-2	E40203	F6	12	10-5	E62951	I12	25	25-11
AP19991	F10	39	10-9	E40204	F8	8	10-7	E73522	H24	8	20-24
AP19991	F12	21	10-11	E40205	F3	9	10-1	E74026	H19	14	20-19
AP19991	F16	20	10-15	E40205	F4	9	10-2	E74026	I16	37	25-15
AP19991	J16	2	40-2	E40205	F5	11	10-3	E74026	J19	8	40-5
AP19992	F10	39	10-9	E40205	F6	14	10-5	E78705	H13	1	20-13
AP19992	F12	21	10-11	E40206	F3	10	10-1	E78705	J15	1	40-1
AP19992	F16	20	10-15	E40206	F4	10	10-2	E82510	J19	5	40-5
AP19992	J16	2	40-2	E40206	F5	12	10-3	H100243	F16	25	10-15
AP24580	H20	3	20-20	E40206	F6	15	10-5	H101200	H8	6	20-8
AP26337	I18	5	30-1	E40212	F5	6	10-3	H101278	G15	8	15-22
AP26337	I19	1	30-3	E40212	F6	7	10-5	H101762	I6	14	25-5
AR1479R	I14	4	25-13	E40819	H11	19	20-11	H101764	I6	14	25-5
AR21836	G20	23	15-27	E43168	H11	15	20-11	H102724	I6	4B	25-5
AR26725	J2	1	30-9	E43336	H11	1	20-11	H102724	I6	6A	25-5
AR26725	J6	1	30-13	E45229	F3	2	10-1	H103046	I6	6A	25-5
AR26828	J8	4	30-15	E45229	F3	8	10-1	H103046	I6	6B	25-5
AR94522	I21	5	30-5	E45229	F4	2	10-2	H103265	H17	7B	20-17
AT10907	H11	24	20-11	E45229	F4	8	10-2	H103265	H19	7	20-19
AT21780	H11	4	20-11	E45229	F5	10	10-3	H103265	H19	16	20-19
AT23503	I22	1	30-6	E45229	F6	13	10-5	H103265	I4	5B	25-3
AT35121	J2	1	30-9	E46971	H13	9	20-13	H103265	I10	7B	25-9
AT35121	J6	1	30-13	E46971	H15	9	20-15	H103265	I14	15	25-13
AW17006	I22	3	30-6	E47954	H8	6	20-8	H103265	I16	34	25-15
AW17006	I23	14	30-7	E47954	H9	5	20-9	H103732	G2	2	15-9
A15541	G10	8	15-17	E48174	H11	8	20-11	H103733	G2	1	15-9
A15898	I22	4	30-6	E48349	H13	1	20-13	H103734	G2	1	15-9
A15898	I23	15	30-7	E48349	J15	1	40-1	H103734	G2	3	15-9
BP12232	G4	8	15-11	E51350	I19	10	30-3	H103735	G2	1	15-9
BP12232	G20	19	15-27	E52444	H13	10A	20-13	H103735	G2	3	15-9
BP12232	G22	10	15-29	E52444	H15	10A	20-15	H103736	G2	2	15-9
BP12233	F14	33	10-13	E52444	H15	19	20-15	H103737	G2	2	15-9
BP12233	G10	7	15-17	E54809	F8	30	10-7	H103738	G2	2	15-9
BP13560	F12	6	10-11	E54809	G6	1	15-13	H103739	G2	2	15-9
B10344	F17	2	10-16	E54809	G6	3	15-13	H103740	G2	2	15-9
B5235H	I10	17	25-9	E54809	G16	4	15-23	H103741	G2	2	15-9
B5235H	I14	20	25-13	E54809	G16	11	15-23	H104020	F14	29	10-13
B5235H	J16	5	40-2	E55662	H7	18	20-7	H104021	F16	27	10-15
B5321H	I10	17	25-9	E55662	H8	1	20-8	H104022	F14	29	10-13
B5321H	I14	20	25-13	E55662	H8	7	20-8	H104022	F16	27	10-15
B5321H	J16	5	40-2	E55662	H9	1	20-9	H105161	F25	3	15-7
C2214E	I12	36	25-11	E56837	H11	19	20-11	H105162	F25	3	15-7
C3056E	H17	7A	20-17	E56839	H11	15	20-11	H105163	F25	3	15-7
C3056E	H19	7	20-19	E57837	H11	18	20-11	H105164	F25	3	15-7
C3056E	I6	13	25-5	E58026	H11	16	20-11	H105165	F25	3	15-7
C3056E	I10	7A	25-9	E58308	H13	14	20-13	H105166	F25	3	15-7
C3056E	I14	15	25-13	E58308	H15	14	20-15	H105167	F25	3	15-7
C3142E	F8	1	10-7	E59005	H9	2	20-9	H105168	F25	3	15-7
C3142E	G12	1	15-19	E59303	H11	12	20-11	H105498	F19	9	10-18
C3142E	G14	6	15-21	E59584	F5	1	10-3	H105499	F19	10	10-18

NUMERICAL INDEX - CONTINUED

PART NO.	GRID	KEY	PAGE	PART NO.	GRID	KEY	PAGE	PART NO.	GRID	KEY	PAGE
H105501	F19	7	10-18	H122138	J11	18	30-18	H22979	I21	9	30-5
H105556	J17	..	40-3	H122139	J11	12	30-18	H22979	J7	14	30-14
H105784	G14	12	15-21	H122140	J11	13	30-18	H23932	J2	14	30-9
H105785	G14	12	15-21	H122141	J11	3	30-18	H24049	F14	29	10-13
H106252	H5	15	20-5	H122142	J11	10	30-18	H24673	H20	11	20-20
H106252	H7	17	20-7	H122143	J11	7	30-18	H25099	F19	8	10-18
H106253	H5	15	20-5	H122457	G2	3	15-9	H25603	H8	8	20-8
H106253	H7	17	20-7	H122458	G2	3	15-9	H28027	F14	29	10-13
H106254	H5	15	20-5	H122459	G2	3	15-9	H28030	F14	36	10-13
H106254	H7	17	20-7	H125403	J6	29	30-13	H28031	F14	35	10-13
H106255	H5	15	20-5	H125889	H7	6	20-7	H30175	H5	6	20-5
H106255	H7	17	20-7	H125890	H7	7	20-7	H33316	F3	3	10-1
H106256	H5	15	20-5	H125891	H7	8	20-7	H33316	F4	3	10-2
H106256	H7	17	20-7	H125892	H7	6	20-7	H33317	F3	4	10-1
H106257	H5	15	20-5	H125892	H7	7	20-7	H33317	F4	4	10-2
H106257	H7	17	20-7	H125892	H7	8	20-7	H33318	F3	5	10-1
H106258	H5	15	20-5	H125893	H7	5	20-7	H33318	F4	5	10-2
H106258	H7	17	20-7	H125894	H7	4	20-7	H33332	F5	4	10-3
H106806	J11	17	30-18	H127801	H7	19	20-7	H33332	F6	9	10-5
H106807	J11	15	30-18	H127801	H8	4	20-8	H33333	F5	4	10-3
H107984	G8	6	15-15	H128235	H7	9	20-7	H33333	F6	9	10-5
H107984	H13	11	20-13	H129024	H8	4	20-8	H33334	F5	7	10-3
H107984	H15	11	20-15	H130478	H5	5	20-5	H33456	F17	6	10-16
H108224	G2	4	15-9	H130934	I2	1B	25-1	H33465	G15	17	15-22
H108245	I23	5	30-7	H130935	I2	1B	25-1	H34570	G20	2	15-27
H108461	H23	18	20-23	H132041	F24	1	15-5	H34570	G22	2	15-29
H108461	H24	16	20-24	H132654	J13	9	35-1	H35112	J6	25	30-13
H108771	G10	16	15-17	H132824	H24	11	20-24	H35247	I18	9	30-1
H108958	G18	1	15-25	H132825	H23	12	20-23	H35248	I18	8	30-1
H108959	G18	4	15-25	H132825	H24	12	20-24	H35256	I19	4	30-3
H109049	H23	3	20-23	H132865	G4	9	15-11	H35309	G20	11	15-27
H109049	H24	3	20-24	H132865	G10	18	15-17	H62350	H5	6	20-5
H109146	F19	12	10-18	H132865	J19	9	40-5	H62942	F14	29	10-13
H109146	F22	1	15-3	H132865	J19	10	40-5	H63856	I19	9	30-3
H109147	F19	12	10-18	H134062	H19	15	20-19	H63857	I19	3	30-3
H109147	F22	1	15-3	H134062	I16	38	25-15	H63858	I19	8	30-3
H109929	G22	6	15-29	H134063	H19	15	20-19	H63859	I19	7	30-3
H110729	I6	8A	25-5	H134063	I16	38	25-15	H63860	I19	11	30-3
H110729	I6	8B	25-5	H134063	H19	13	20-19	H64720	F5	17	10-3
H110730	I6	8A	25-5	H134082	I16	36	25-15	H64720	F6	18	10-5
H110730	I6	8B	25-5	H134763	I8	23	25-7	H75386	H8	3	20-8
H111752	J6	12	30-13	H134764	I8	2	25-7	H75413	J2	8	30-9
H111844	I19	9	30-3	H135222	I12	25	25-11	H75413	J6	9	30-13
H111845	I19	3	30-3	H135228	H24	13	20-24	H76139	F19	14	10-18
H111902	I2	1A	25-1	H135672	G20	3	15-27	H76944	F12	26	10-11
H111903	I2	1A	25-1	H135672	G22	3	15-29	H77433	I12	28	25-11
H111904	I2	3	25-1	H136751	F24	8	15-5	H77433	I14	6	25-13
H111905	I2	3	25-1	H137143	F24	7B	15-5	H78884	J13	6	35-1
H112330	J19	4	40-5	H139076	F16	25	10-15	H79252	F14	32	10-13
H112762	G14	10	15-21	H139077	F12	25	10-11	H79255	F14	32	10-13
H112847	I23	8	30-7	H139078	F12	25	10-11	H79257	F14	32	10-13
H112847	J6	20	30-13	H143581	I12	34	25-11	H79258	F14	29	10-13
H113355	G16	5	15-23	H147707	F24	10	15-5	H79259	F14	29	10-13
H113355	I8	14	25-7	H149739	G12	26	15-19	H79260	F14	29	10-13
H113371	F22	2	15-3	H149739	G14	5	15-21	H79261	F14	29	10-13
H113519	G4	5	15-11	H149816	G2	10	15-9	H79262	F14	29	10-13
H113571	H8	3	20-8	H20024	F8	12	10-7	H79544	F12	25	10-11
H11358	H2	6	20-1	H20024	F10	38	10-9	H79544	F16	24	10-15
H114348	G14	11	15-21	H20895	F24	3	15-5	H79545	F12	25	10-11
H115880	J6	16	30-13	H21925	H17	4	20-17	H79545	F16	24	10-15
H115890	I23	10	30-7	H21925	H19	4	20-19	H79578	G20	19	15-27
H116160	G18	..	15-25	H21925	J15	5	40-1	H80103	H17	4	20-17
H116161	H24	9	20-24	H22039	H17	21	20-17	H80103	H19	4	20-19
H118422	G23	5	15-30	H22039	H20	4	20-20	H80103	J15	5	40-1
H118422	G24	4	15-31	H22135	H20	8	20-20	H80631	I19	5	30-3
H118628	F19	10	10-18	H22819	F14	29	10-13	H80926	H17	22	20-17
H118913	I6	20	25-5	H22820	F14	29	10-13	H81277	F10	31	10-9

NUMERICAL INDEX - CONTINUED

PART NO.	GRID	KEY	PAGE	PART NO.	GRID	KEY	PAGE	PART NO.	GRID	KEY	PAGE
H81499	H5	4	20-5	H87257	I6	21	25-5	H87582	G2	1	15-9
H84030	F5	16	10-3	H87258	I6	18	25-5	H87582	G2	3	15-9
H84030	F6	17	10-5	H87263	I6	14	25-5	H87583	H17	12	20-17
H84031	F3	13	10-1	H87264	J2	15	30-9	H87583	I10	3	25-9
H84412	H8	1	20-8	H87265	J7	9	30-14	H87592	F24	17	15-5
H84412	H8	4	20-8	H87265	J9	8	30-16	H87711	H5	15	20-5
H84413	H5	5	20-5	H87266	I21	8	30-5	H87729	H5	15	20-5
H84414	H8	6	20-8	H87266	J7	15	30-14	H87730	H5	15	20-5
H84415	H5	5	20-5	H87268	J2	5	30-9	H87731	H5	15	20-5
H85794	J10	6	30-17	H87331	H17	10	20-17	H87732	H5	15	20-5
H85795	J10	12	30-17	H87332	H17	10	20-17	H87810	G10	6	15-17
H85796	J10	14	30-17	H87333	H17	10	20-17	H87811	G10	6	15-17
H85797	J10	15	30-17	H87334	H17	10	20-17	H87827	G8	11	15-15
H85798	J10	21	30-17	H87337	F24	10	15-5	H87837	G10	4	15-17
H85800	J10	11	30-17	H87348	I10	1	25-9	H87838	G10	4	15-17
H85801	J10	27	30-17	H87349	I10	1	25-9	H87944	I2	1A	25-1
H85803	J10	4	30-17	H87350	I10	1	25-9	H87945	I2	1A	25-1
H85805	J10	20	30-17	H87351	I10	1	25-9	H87946	I2	3	25-1
H85806	J10	24	30-17	H87352	I10	1	25-9	H87947	I2	3	25-1
H85807	J10	29	30-17	H87353	I10	1	25-9	H87976	G12	26	15-19
H86656	I6	19	25-5	H87359	H5	13	20-5	H87976	G14	5	15-21
H86656	I12	26	25-11	H87359	H7	15	20-7	H88061	H13	3	20-13
H86911	H15	19	20-15	H87360	F8	27	10-7	H88090	H19	13	20-19
H86917	H15	18	20-15	H87360	F12	23	10-11	H88090	I16	36	25-15
H86918	I4	2	25-3	H87360	F16	22	10-15	H88092	I16	31	25-15
H86918	I6	1	25-5	H87363	I10	1	25-9	H88188	G6	6	15-13
H87042	H21	23	20-21	H87367	H21	16	20-21	H88188	G12	21	15-19
H87043	H5	2	20-5	H87390	H17	14	20-17	H88188	G14	28	15-21
H87043	H7	2	20-7	H87390	I12	23	25-11	H88188	G18	12	15-25
H87044	I6	3	25-5	H87395	I8	11	25-7	H88203	F24	17	15-5
H87048	F17	3	10-16	H87501	H20	1	20-20	H88204	F24	17	15-5
H87048	F17	5	10-16	H87507	H21	25	20-21	H88205	F24	17	15-5
H87048	F18	10	10-17	H87510	H5	14	20-5	H88206	F24	17	15-5
H87051	H21	24	20-21	H87511	G2	10	15-9	H88207	F24	17	15-5
H87059	I12	24	25-11	H87512	H5	14	20-5	H88208	F24	17	15-5
H87059	I16	30	25-15	H87512	H7	16	20-7	H88209	F24	17	15-5
H87065	F17	7	10-16	H87513	G2	10	15-9	H88213	H22	4	20-22
H87066	F17	12	10-16	H87514	H5	14	20-5	H88215	H22	2	20-22
H87069	I6	4A	25-5	H87514	H7	16	20-7	H88216	H22	6	20-22
H87121	H23	11	20-23	H87515	G2	10	15-9	H88224	G15	10A	15-22
H87121	I10	15A	25-9	H87516	H5	14	20-5	H88225	H5	7	20-5
H87121	I16	25A	25-15	H87517	G2	10	15-9	H88226	G12	9	15-19
H87184	I4	11	25-3	H87523	G2	2	15-9	H88258	H19	10	20-19
H87192	I6	2	25-5	H87533	G2	10	15-9	H88259	H19	10	20-19
H87193	I4	1	25-3	H87534	H5	14	20-5	H88260	H19	10	20-19
H87206	I12	29	25-11	H87534	H7	16	20-7	H88262	H19	10	20-19
H87206	I14	5	25-13	H87535	G2	10	15-9	H88263	H19	10	20-19
H87213	H21	3	20-21	H87536	H5	14	20-5	H88264	H19	18	20-19
H87215	I6	14	25-5	H87536	H7	16	20-7	H88265	H19	18	20-19
H87216	I6	14	25-5	H87537	G2	10	15-9	H88266	H19	18	20-19
H87217	I6	14	25-5	H87538	H5	14	20-5	H88268	H19	18	20-19
H87218	I6	14	25-5	H87541	F24	17	15-5	H88269	H19	18	20-19
H87219	I6	14	25-5	H87544	F24	17	15-5	H88270	H19	12	20-19
H87220	I6	14	25-5	H87546	F24	17	15-5	H88270	I16	35	25-15
H87225	H21	4	20-21	H87550	F24	17	15-5	H88271	H19	15	20-19
H87226	H17	13	20-17	H87553	F24	17	15-5	H88271	I16	38	25-15
H87226	I12	22	25-11	H87556	F24	17	15-5	H88336	G17	6	15-24
H87232	H17	18	20-17	H87563	F12	3	10-11	H88360	H22	5	20-22
H87236	F17	10	10-16	H87575	G2	1	15-9	H88394	I21	15	30-5
H87237	F17	10	10-16	H87576	G2	2	15-9	H88454	F3	13	10-1
H87238	F17	4	10-16	H87577	G2	2	15-9	H88532	I6	14	25-5
H87239	F17	9	10-16	H87578	G2	2	15-9	H88554	I8	23	25-7
H87239	F18	8	10-17	H87579	G2	2	15-9	H88555	I8	2	25-7
H87239	F19	15	10-18	H87580	G2	1	15-9	H88857	J13	8	35-1
H87256	H17	4	20-17	H87580	G2	3	15-9	H89108	G2	7	15-9
H87256	H19	4	20-19	H87581	G2	1	15-9	H89109	G2	7	15-9
H87256	J15	5	40-1	H87581	G2	3	15-9	H89110	F10	34	10-9

NUMERICAL INDEX - CONTINUED

PART NO.	GRID	KEY	PAGE	PART NO.	GRID	KEY	PAGE	PART NO.	GRID	KEY	PAGE
H89114	J13	5	35-1	H92502	I6	14	25-5	H97195	F24	17	15-5
H89115	J13	7	35-1	H92618	J13	3	35-1	H97196	F24	17	15-5
H89127	H23	12	20-23	H93294	H23	14	20-23	H97197	F24	17	15-5
H89128	H23	3	20-23	H93439	H17	20	20-17	H97198	F24	17	15-5
H89130	H23	13A	20-23	H93483	F8	4	10-7	H97199	F24	17	15-5
H89134	G15	2	15-22	H93483	F12	7A	10-11	H97200	F24	17	15-5
H89136	G16	1A	15-23	H93483	F12	10	10-11	H97201	F24	17	15-5
H89137	G8	1	15-15	H93483	F12	11A	10-11	H97202	F24	17	15-5
H89138	G8	1	15-15	H93483	F16	5	10-15	H97426	H17	10	20-17
H89139	G8	1	15-15	H93738	I12	32	25-11	H97427	H17	10	20-17
H89140	G8	1	15-15	H94005	F17	3	10-16	H97428	H17	10	20-17
H89141	G16	6	15-23	H94005	F18	7	10-17	H97429	H17	10	20-17
H89154	G15	12	15-22	H94256	G15	6	15-22	H97430	H17	10	20-17
H89197	G10	1	15-17	H94256	G15	10A	15-22	H97431	H17	10	20-17
H89200	F5	6	10-3	H94256	G15	10B	15-22	H97432	H17	10	20-17
H89200	F6	4	10-5	H94526	G2	2	15-9	H97433	H17	10	20-17
H89249	G4	5	15-11	H94527	G2	1	15-9	H97495	H5	15	20-5
H89250	G4	5	15-11	H94527	G2	3	15-9	H97496	H5	15	20-5
H89251	G4	5	15-11	H94528	G2	1	15-9	H97497	H5	15	20-5
H89252	G4	5	15-11	H94528	G2	3	15-9	H97498	H5	15	20-5
H89253	G4	5	15-11	H94532	G2	10	15-9	H97499	H5	15	20-5
H89254	G4	5	15-11	H94533	G2	10	15-9	H97500	H5	15	20-5
H89255	G4	5	15-11	H94534	G2	10	15-9	H97501	H5	15	20-5
H89256	G4	5	15-11	H94535	G2	10	15-9	H97709	F22	1	15-3
H89257	G4	5	15-11	H94536	G2	10	15-9	H97709	H17	17	20-17
H89258	G4	5	15-11	H94537	G2	10	15-9	H97709	H17	18	20-17
H89279	I10	9	25-9	H94538	G2	10	15-9	H97709	I10	9	25-9
H89361	F24	1	15-5	H94539	G2	10	15-9	H97851	G2	2	15-9
H89362	F24	1	15-5	H94540	H5	14	20-5	H97852	G2	2	15-9
H89400	I10	1	25-9	H94540	H7	16	20-7	H98440	F14	29	10-13
H89524	I12	33	25-11	H94541	H5	14	20-5	H98441	F14	29	10-13
H89525	I12	30	25-11	H94541	H7	16	20-7	H98442	F14	29	10-13
H89525	I14	13	25-13	H94542	H5	14	20-5	H98443	F14	29	10-13
H89553	G17	7	15-24	H94542	H7	16	20-7	H98444	F16	27	10-15
H89554	G17	10	15-24	H94543	H5	14	20-5	H98445	F16	27	10-15
H89555	G20	12	15-27	H94543	H7	16	20-7	H98446	F16	27	10-15
H89556	G20	10	15-27	H94609	G2	7	15-9	H98448	F16	27	10-15
H89560	G20	15	15-27	H94610	G2	7	15-9	H98475	J19	4	40-5
H89560	G22	13	15-29	H94708	I6	18	25-5	H98494	F17	3	10-16
H89561	G20	14	15-27	H94796	H5	13	20-5	H98494	F18	6	10-17
H89561	G22	11	15-29	H94796	H7	15	20-7	H98494	F18	9	10-17
H89577	G20	20	15-27	H94980	H17	12	20-17	H98494	F19	12	10-18
H89577	G22	16	15-29	H94980	I10	3	25-9	H98640	G10	16	15-17
H89577	J17	..	40-3	H95034	I14	3	25-13	H98641	G10	16	15-17
H89615	G2	6	15-9	H95086	I19	3	30-3	H98644	G2	6	15-9
H89623	G16	5	15-23	H95141	I12	38A	25-11	H98688	F4	13	10-2
H89623	I8	14	25-7	H95141	I16	27A	25-15	H98689	F3	13	10-1
H89626	G2	4	15-9	H95175	H8	1	20-8	H98689	F4	13	10-2
H89661	G2	5	15-9	H95175	H8	2	20-8	H98691	F5	16	10-3
H89673	G2	14	15-9	H95175	H8	4	20-8	H98691	F6	17	10-5
H89701	I6	20	25-5	H95175	H8	5	20-8	H98693	F5	17	10-3
H91305	H21	19	20-21	H95226	F14	29	10-13	H98693	F6	18	10-5
H91615	F24	6A	15-5	H95227	F14	29	10-13	H98698	F17	3	10-16
H91711	G20	16	15-27	H95778	G20	18	15-27	H98698	F18	11	10-17
H91712	G20	18	15-27	H95778	G22	18	15-29	H98743	F8	8	10-7
H91968	G20	7	15-27	H96224	H21	10	20-21	H98765	F17	12	10-16
H92036	J19	4	40-5	H96757	I8	8	25-7	H98765	F18	6	10-17
H92037	J19	4	40-5	H96906	G20	16	15-27	H98765	F19	6	10-18
H92038	J19	4	40-5	H96906	G22	15	15-29	H98768	H9	6	20-9
H92039	J19	4	40-5	H97187	F24	17	15-5	H98780	H15	18	20-15
H92040	J19	4	40-5	H97188	F24	17	15-5	H98792	I10	15B	25-9
H92041	J19	4	40-5	H97189	F24	17	15-5	H98792	I16	25B	25-15
H92042	J19	4	40-5	H97190	F24	17	15-5	H98811	F10	..	10-9
H92138	G17	2	15-24	H97191	F24	17	15-5	H98953	G15	11	15-22
H92469	F24	10	15-5	H97192	F24	17	15-5	H98954	G15	8	15-22
H92469	J13	12	35-1	H97193	F24	17	15-5	H99314	J19	1	40-5
H92470	J13	9	35-1	H97194	F24	17	15-5	H99315	J19	1	40-5

NUMERICAL INDEX - CONTINUED

PART NO.	GRID	KEY	PAGE	PART NO.	GRID	KEY	PAGE	PART NO.	GRID	KEY	PAGE
H99923	I6	19	25-5	M63139	F19	2	10-18	N10217	H24	2	20-24
JD5255	J19	5	40-5	M66044	G23	3	15-30	N10217	I8	1	25-7
JD5581	J19	6	40-5	M66044	G24	3	15-31	N10217	J6	22	30-13
JD5583	J19	7	40-5	M66044	J4	24	30-11	N120189	H23	16	20-23
JD5590	J19	3	40-5	M66044	J6	4	30-13	N130453	J11	18	30-18
JD5801	H11	21	20-11	M87968	F17	7	10-16	N132503	J11	1	30-18
JD5901	J19	2	40-5	M87968	F18	6	10-17	N31773	I19	4	30-3
JD5920	J20	2	40-6	M899A	G12	13	15-19	N72306	F24	3	15-5
JD5921	J20	1	40-6	M899A	G14	22	15-21	PK169H	H2	1	20-1
JD5922	J20	3	40-6	N100101	I12	30	25-11	PK177H	H2	8	20-1
JD7759	F8	15	10-7	N100101	I14	13	25-13	PT94	H11	7	20-11
JD7759	F12	1	10-11	N100129	I14	3	25-13	P35017	F12	4	10-11
JD7759	F16	6	10-15	N10213	F8	26	10-7	P35017	H2	4	20-1
JD7759	G15	5	15-22	N10213	F12	14	10-11	P36868	H3	4	20-2
JD7759	G15	14	15-22	N10213	F25	2	15-7	P40278	H17	4	20-17
JD7781	G15	5	15-22	N10213	G2	11	15-9	P40278	H19	4	20-19
JD7781	H5	11	20-5	N10213	G2	15	15-9	P40278	J15	5	40-1
JD7781	H7	13	20-7	N10213	G4	6	15-11	P40984	H2	7	20-1
JD7797	G15	5	15-22	N10213	G12	10	15-19	P41706	I4	9	25-3
JD7797	H20	7	20-20	N10213	G20	17	15-27	P42337	F5	1	10-3
JD8244	H21	8	20-21	N10213	I2	2	25-1	P43332	F12	8	10-11
JD8275	H11	10	20-11	N10213	I21	14	30-5	P43332	F16	1	10-15
JD8544	H17	6	20-17	N10213	J2	16	30-9	P45750	I21	12	30-5
JD8544	H19	6	20-19	N10213	J7	7	30-14	P45750	I23	12	30-7
JD8544	I10	5	25-9	N10213	J7	12	30-14	P45750	J6	27	30-13
JD8544	I14	18	25-13	N10213	J7	13	30-14	P47288	G16	1B	15-23
JD8545	H17	11	20-17	N10213	J8	2	30-15	P47478	J2	1	30-9
JD8545	I10	8	25-9	N10213	J8	8	30-15	P47940	H21	21	20-21
JD8551	I6	12	25-5	N10213	J9	4	30-16	P48757	G15	6	15-22
JD8552	I6	16	25-5	N10213	J9	6	30-16	P48757	G15	10B	15-22
JD8576	I8	19	25-7	N10213	J13	4	35-1	P49554	H20	2	20-20
JD8593	H17	11	20-17	N10215	F24	16	15-5	P50273	H21	14	20-21
JD8593	I10	8	25-9	N10215	G2	8	15-9	P50419	H17	19	20-17
JD8594	H17	6	20-17	N10215	G2	9	15-9	P50824	H21	14	20-21
JD8594	H19	6	20-19	N10215	G2	13	15-9	R2577R	G20	3	15-27
JD8594	I10	5	25-9	N10215	G4	2	15-11	R2577R	G22	3	15-29
JD8594	I14	18	25-13	N10215	G4	3	15-11	R26375	I21	4	30-5
JD8839	H13	4	20-13	N10215	G8	2	15-15	R26375	I23	11	30-7
JD8841	J10	13	30-17	N10215	G8	10	15-15	R26375	J6	26	30-13
JD8870	J10	9	30-17	N10215	G12	15	15-19	R26448	J4	23	30-11
JD8898	H11	5	20-11	N10215	G12	18	15-19	R26448	J6	2	30-13
JD8914	H21	7	20-21	N10215	G14	20	15-21	R26892	I22	2	30-6
JD9017	H11	9	20-11	N10215	G14	25	15-21	R26906	J7	1	30-14
JD9088	H11	9	20-11	N10215	G15	1	15-22	R26906	J8	5	30-15
JD9144	H11	10	20-11	N10215	G15	9	15-22	R26906	J9	1	30-16
JD9209	I4	7	25-3	N10215	G20	1	15-27	R27095	J4	17	30-11
JD9274	H17	8	20-17	N10215	G20	24	15-27	R27095	J6	17	30-13
JD9274	H19	8	20-19	N10215	G22	1	15-29	R27270	J9	2	30-16
JD9274	I10	11	25-9	N10215	G22	5	15-29	R31665	J7	2	30-14
JD9274	I14	16	25-13	N10215	G23	1	15-30	R32507	G16	1B	15-23
JD9841	H11	18	20-11	N10215	G24	1	15-31	R34063	I21	2	30-5
JD9861	H13	4	20-13	N10215	H5	9	20-5	R34063	I22	6	30-6
JD9861	H13	5	20-13	N10215	H15	20	20-15	R34063	I23	2	30-7
JD9914	H11	23	20-11	N10215	H17	15	20-17	R35936	G2	12	15-9
JD9977	H11	23	20-11	N10215	H19	11	20-19	R48887	G23	4	15-30
K40006	H9	1	20-9	N10215	H21	1	20-21	R50636	J6	6	30-13
M1111T	F12	6	10-11	N10215	H21	11	20-21	R77465	G23	5	15-30
M1111T	F16	3	10-15	N10215	H21	15	20-21	S8953	G15	14	15-22
M40699	G4	8	15-11	N10215	H22	1	20-22	TY15130	H11	7	20-11
M40699	G20	19	15-27	N10215	I6	17	25-5	T11234	F14	33	10-13
M40699	G22	10	15-29	N10215	I10	6	25-9	T11234	G10	7	15-17
M40699	I6	6A	25-5	N10215	I12	39A	25-11	T14065	H15	22	20-15
M40699	I6	8A	25-5	N10215	I14	14	25-13	T27132	H21	9	20-21
M48519	F17	7	10-16	N10215	I16	28A	25-15	U15415	I19	8	30-3
M48519	F18	6	10-17	N10215	J13	2	35-1	Z6761H	H3	2	20-2
M63139	F17	3	10-16	N10217	G14	13	15-21	Z6762H	H3	3	20-2
M63139	F18	2	10-17	N10217	H23	2	20-23	Z699H	I12	31	25-11

K25

NUMERICAL INDEX - CONTINUED

<i>PART NO.</i>	<i>GRID</i>	<i>KEY</i>	<i>PAGE</i>	<i>PART NO.</i>	<i>GRID</i>	<i>KEY</i>	<i>PAGE</i>	<i>PART NO.</i>	<i>GRID</i>	<i>KEY</i>	<i>PAGE</i>
Z699H	I14	12	25 - 13								
Z7961H	H8	5	20 - 8								
Z8859H	H5	6	20 - 5								
Z8860H	H5	6	20 - 5								
Z8946H	H5	6	20 - 5								
24338	H23	9	20 - 23								